

PROJECT NAME: _____ CAT. #: _____
 NOTES: _____ FIXTURE SCHEDULE: _____

Round Network Node with Audio Jack



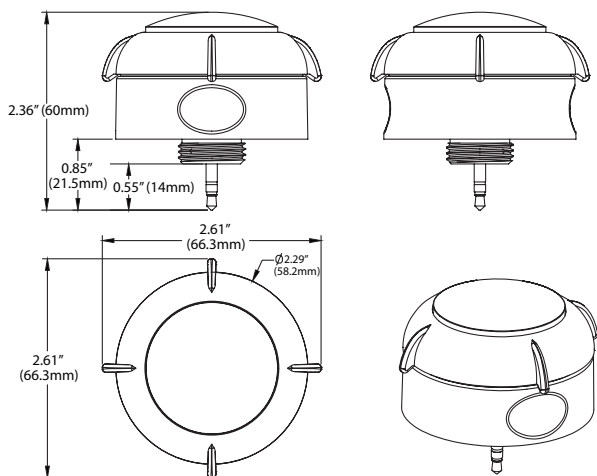
Features

- Bluetooth Mesh: Technology for Bluetooth enabled iOS or Android Smartphone
- PIR Occupancy Sensor
- Daylight Harvesting/Photocell Threshold
- Flexible Grouping and Zoning
- Wireless Commissioning
- Scene control
- Scheduling
- QR Code for Admin/Guest Control Authority
- Compatible with c-Max network

Listings

- UL listed
- IP65

Product Dimensions



Specifications

	NNA-RDMSW
DAYLIGHT HARVESTING	Yes
PHOTCELL	Yes
DIGITAL PIR MOTION SENSOR	Yes
OVERALL DIMENSIONS	Ø67mm x 50.3mm
COLOR	White
WEIGHT	TBA
CONNECTOR	Audio Jack 3.5mm
INPUT VOLTAGE	12V DC
BLUETOOTH TRANSMIT LINE DISTANCE	100 ft
DETECTION RANGE	48-80 ft
RATED CURRENT	40mA
DIMMING	0-10V
INFRARED SENSOR	Omni-directional quad element pyroelectric
MOUNTING HEIGHT	15-40 ft
DETECTABLE SPEED	1-10 ft/sec.
OPERATING TEMPERATURE	-40°F - 131°F (-40°C - 55°C)
OP. HUMIDITY	IP65

Ordering Information

MODEL NUMBER	DESCRIPTION	ORDER CODE	UPC
NNA-RDMSW	NETWORK NODE (AJ) ROUND, PIR MOTION SENSOR, DAYLIGHT HARVESTING , WHITE+	767627033773	108688



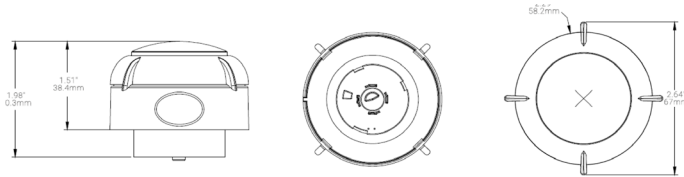
5-year standard warranty (further details available at www.maxlite.com/warranties) Product may be eligible for a warranty extension to 10 years, for an additional fee. Contact MaxLite for details.

Round Network Node with Audio Jack

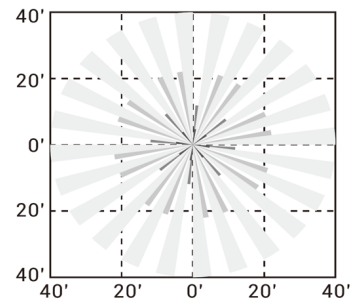
Detection Coverage

NNA-RDMSW

SIDE VIEW



TOP VIEW



MOUNTING HEIGHT	ft (m)	10' (3)	20' (6)	30' (9.1)	40' (12.2)
MAX COVERAGE DIAMETER	ft (m)	10' (3)	20' (6)	30' (9.1)	40' (12.2)

Commissioning

c-Max mobile App makes it easy to pair devices, create groups, set scenes/schedules, customize dimming levels, and adjust high trim based on application needs.

Visit www.maxlite.com/cmaw for How-to-Videos and a comprehensive commissioning guide.

