

PROJECT NAME: _____ CAT. #: _____
 NOTES: _____ FIXTURE SCHEDULE: _____

SILVAIR NETWORK 120-277V ZONE CONTROLLER 20A 0-10V 24V AUX



NPP-ZC20A/V2-SL

Overview:

c-Max Network Partners features additional networked lighting controls proposition that seamlessly combines MaxLite's broad c-Max controls ready luminaires with other technology partners control systems. This new wireless offering extends MaxLite's c-Max Lighting controls solutions to now include Silvoir's Bluetooth NLC and DLC 5.0 qualified system featuring a globally interoperable lighting controls ecosystem. Built on the value proposition of c-Max controls architecture, it now brings scalable lightingcontrols in an affordable manner.

Applications:

- Offices
- Hospitals
- Schools
- Warehouses
- Industrial
- Retail

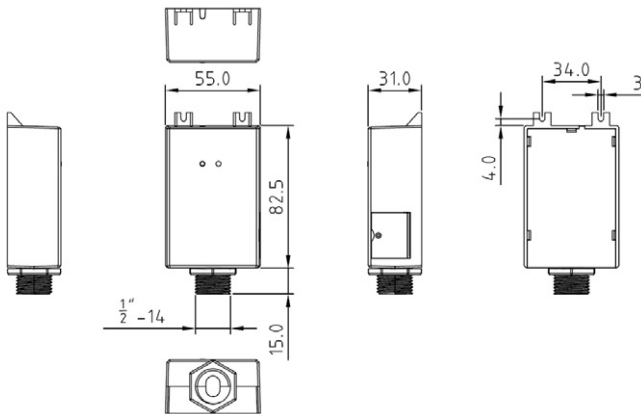
Features:

- Zone Controller with 25mA 0-10V signal output and 20A relay
- Sensor input to allow use of 3rd party sensor to control powerpack output
- Easy Commissioning with Silvoir App (Available in iOS and Android)
- Local Bluetooth Network with no gateway needed
- Individual Addressability and/or Grouping
- Multi-level dimming: Manual ON/OFF Automatic ON/OFF, and Automatic Partial ON/OFF control capability
- Ability to create scenes for more customized dimming scenarios
- Time clock scheduling for individual lights, groups, or scenes
- High-Trim/Tuning sets the maximum light level based on customer requirements in each space
- Individual addressability and/or grouping (lesser of up to 20A load or 25mA sinking current, whichever comes first)
- Can be used as a standalone, or grouped with other c-Max Silvoir Controls Ready Luminaires
- UL Listed as Management Equipment, Energy
- Plenum rated UL2043
- Check <https://www.maxlite.com> for c-Max fixture compatibility
- 5 Year Warranty

Ordering Information

MODEL NUMBER	DESCRIPTION	UPC	ORDER CODE
NPP-ZC20A/V2-SL	SILVAIR NETWORK 120-277V ZONE CONTROLLER 20A 0-10V 24V AUX	767627074752	112636

Product Dimensions



System Highlights:

- Designed to support large-scale installations deployed in commercial environments, offers powerful commissioning, fine-tuning, and everyday management features.
- Can add up to 8,000 devices to one project
- Silvoir firmware provides enterprise-level reliability, scalability and security
- DLC NLC5 compliant with technology stack based on open wireless standards - Bluetooth NLC qualified
- Flexible access to data via in-app dashboards or API
 - Occupancy analytics and energy monitoring via Connected Lighting Services dashboard
 - Intuitive API including Occupancy, Scheduling, System monitoring and Remote control
- Intuitive web app and mobile app for easy commissioning and provisioning
 - Faster commissioning with Duplicate zone feature and ability to set zone profiles remotely
- Ability to link zones in an Area, perform OTA firmware updates via mobile app, or add gateway for advanced connected lighting services

SILVAIR NETWORK 120-277V ZONE CONTROLLER 20A 0-10V 24V AUX

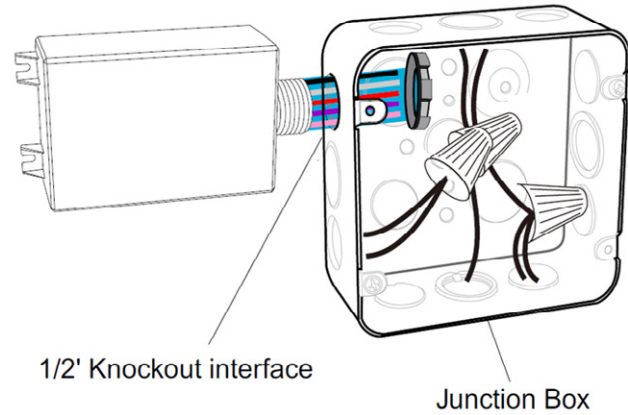
Specifications

	NPP-ZC20A/V2-SL
OPERATING VOLTAGE	100-277V
OPERATING FREQUENCY	50/60Hz
MAX LOAD CURRENT	20A
SINKING CURRENT	25mA
OUTPUT AUX POWER	24V
DIMMING	Analog 0-10V (Linear)
FACTORY RESET	RESET Button
RADIO FREQUENCY	2.4GHz ± 75MHz
WIRELESS STANDARD	Bluetooth NLC v2.30+
PROGRAMMING	Silvaire App iOS and Android
CYBERSECURITY	ioXt Certified
MESH RANGE	100ft node-to-node and 50ft node-to-device (Commissioning)
SAFETY	cULus Listed E511069 Light-emitting-diode Controllers
FCC	47 CFR Part 15, Subpart C 15.247
BQB	D066483
OPERATING TEMPERATURE	32°F to 104°F /0°C to 40°C
RELATIVE HUMIDITY	8-80% non-condensing
COLOR	WHITE

Replay Ratings

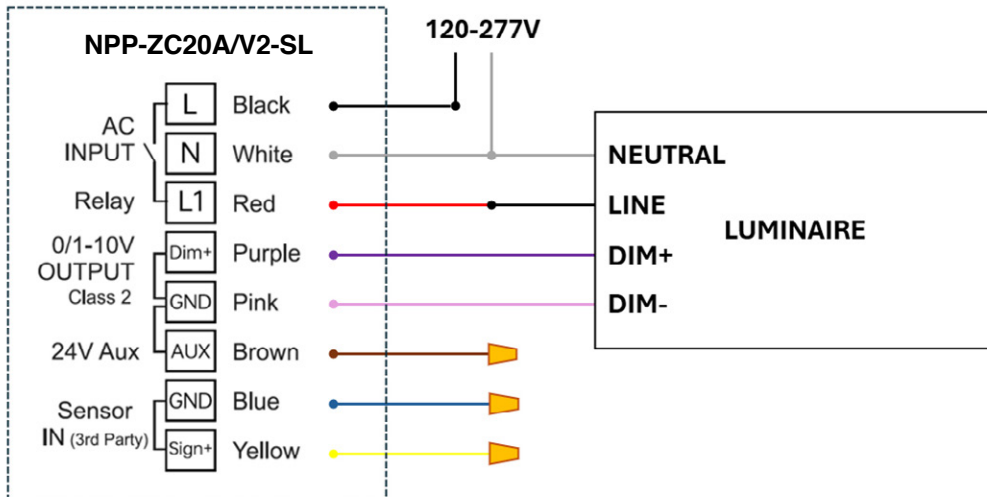
LOAD TYPE	NPP-ZC20A/V2-SL
GENERAL USE	20A @250/277VAC
RESISTIVE	18A @120VAC 20A @277VAC
CAPACITIVE	8A @120-277VAC
MOTOR	0.5 HP @120VAC 1 HP @240VAC

Installation



Wiring Diagrams

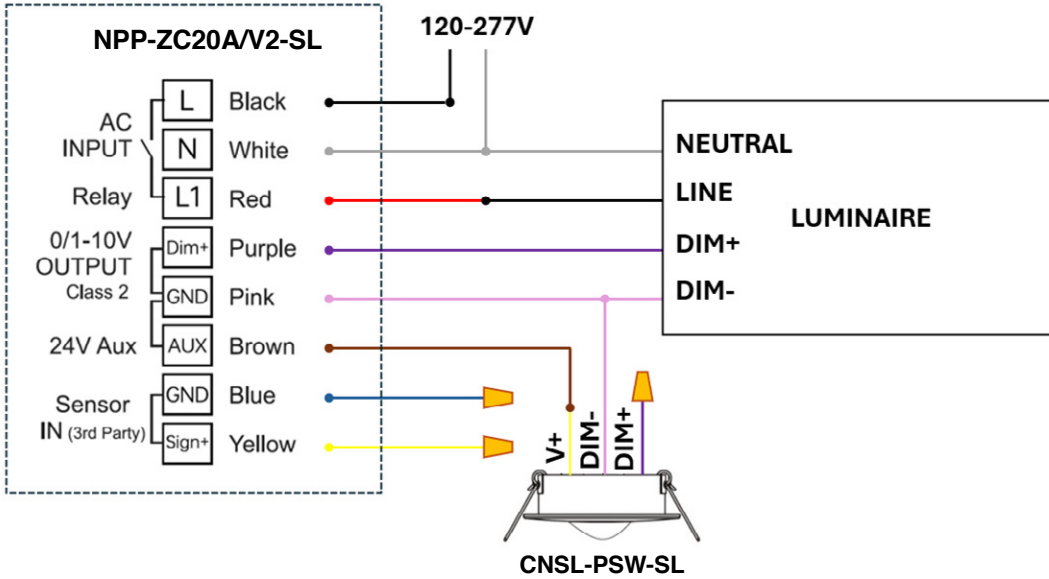
NPP-ZC20A/V2-SL: Zone Relay Only



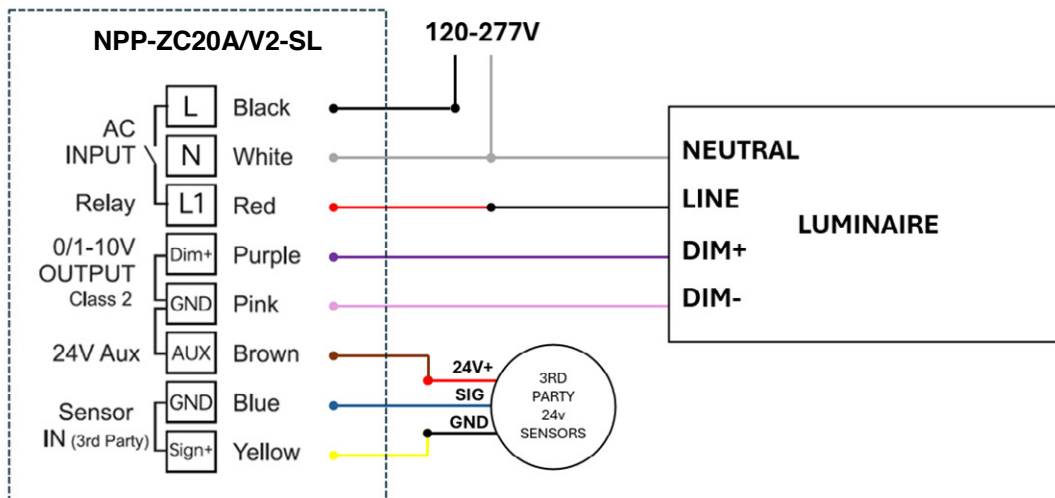
SILVAIR NETWORK 120-277V ZONE CONTROLLER 20A 0-10V 24V AUX

Wiring Diagrams – continued

NPP-ZC20A/V2-SL: With MaxLite Low Voltage Ceiling Mount Sensor CNSL-PSW-SL



NPP-ZC20A/V2-SL: With Other 24V Low Voltage Sensors



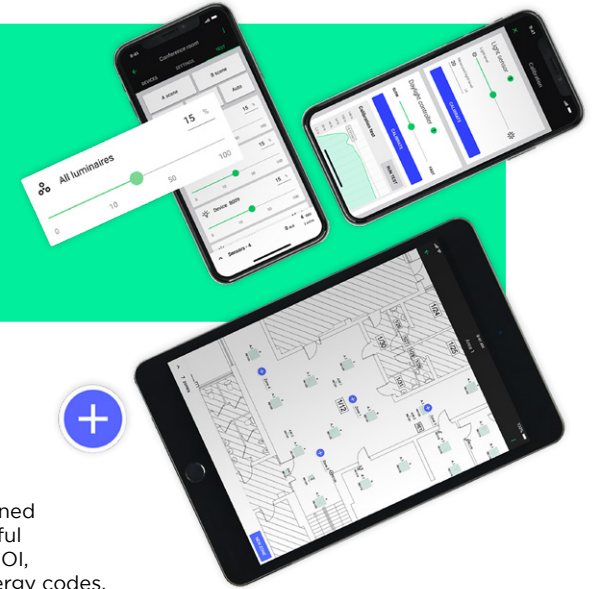


SILVAIR NETWORK 120-277V ZONE CONTROLLER 20A 0-10V 24V AUX

Technology Partner

SILVAIR

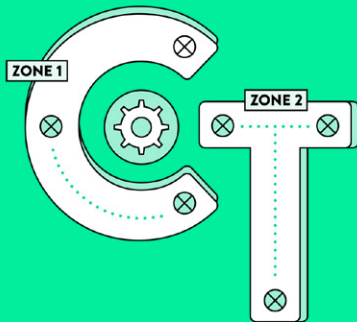
Silvaair provides a reliable lighting control technology based on the globally interoperable Bluetooth mesh standard. Whether you are a component manufacturer, a facility manager, or an energy service company, you can easily deploy our solutions to strengthen your competitive advantage and create new revenue streams.



Commissioning tools for installers

Advanced strategies have never been easier

We provide intuitive apps for standard-compliant Bluetooth mesh lighting networks. Designed to support large-scale installations deployed in commercial environments, they offer powerful commissioning, fine-tuning, and everyday management features. The bottom line is faster ROI, shortened path to advanced control strategies, and facilitated compliance with building energy codes.



Plan every detail from the comfort of your desk

Silvaair Applications

[Web App](#) [iOS App](#) [Android App](#)