



## Product Description

Add rugged charm and reliable lighting to your exterior with this **industrial-style outdoor wall light**. Featuring a durable black metal frame and a protective cage surrounding a cylindrical glass cover, this fixture is built to withstand the elements while delivering bold, functional illumination. Whether flanking a front door, garage, or patio, this fixture delivers both style and function in a compact, weather-resistant design. Bulb is not included.

## Features:

- **Weather Resistant:** Durable metal and glass construction withstands rain, snow, and sun.
- **Anti-Rust Design:** Rust-resistant black metal frame ensures long-lasting outdoor use.
- **Standard E26 Socket:** Compatible with LED, incandescent, and CFL enclosed-rated bulbs.
- **Easy Installation:** Includes all mounting hardware and clear instructions for quick setup.

## Applications:

- Residential
- Hotel/Motel
- Property Management

## Installation:

- Direct Wall Mount

## Construction:

- Metal and Glass

## Listings:

- cETLus for Wet Locations
- FCC
- RoHS



Front



Side



Bulb not included.

## Stocked Item

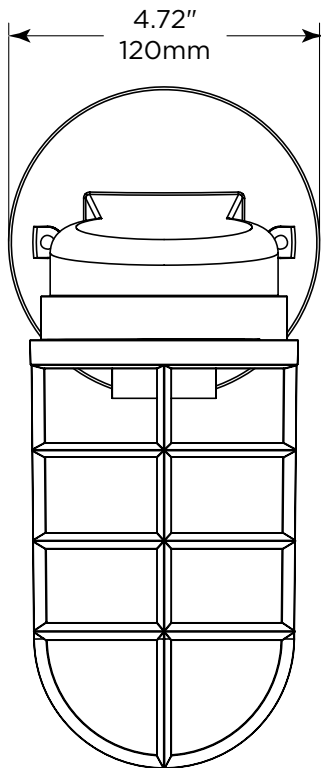
ORDER CODE	MODEL NUMBER	DESCRIPTION
113367	OWL-DJJBK-E26	OUTDOOR WALL LIGHT, HARBOR GLOW STYLE, BLACK FINISH, E26 BASE SOCKET



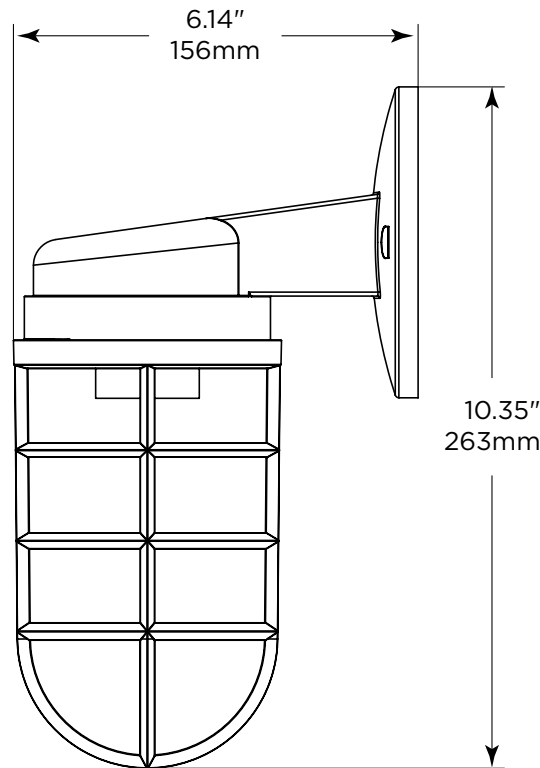
## Specifications:

	OWL-DJJBK-E26
Max Bulb Wattage for Usage	13W
Input Voltage	120V
Operating Temperature	-4° to 140°F (-20° to 60°C)
Material	Metal and Glass
Finish	Black
Socket	E26
Environment	Wet Location
Warranty (Fixture)	5 Years warranty. Check <a href="http://maxlite.com/warranties">maxlite.com/warranties</a> for details

## Dimensions:



Front



Side