

LED SLIM AREA LIGHTS

AR-MAL SERIES



280W Model

Fixture shown with Slipfitter Knuckle



60-140W Model

Fixture shown with Straight Arm



FEATURES:

- Replaces up to 1000W MH equivalent
- Type III and Type V optics available
- Universal 120-277V dimming driver standard, 347-480V available
- Dusk-to-dawn and occupancy sensor compatible
- Greater than 100,000 hour L70 lifetime at TM21 standards at 25°C
- 5-year limited warranty

MOUNTING:

- 6" Extruded Straight Arm**
- Trunnion Swivel
- 2-3/8" Slipfitter Knuckle
- All mounting options sold separately

CONTROLS:

Motion/Daylight Sensor: Passive infrared (PIR) sensing technology that reacts to changes in infrared energy (i.e. moving body heat) within the coverage area. This slim, low-profile sensor is designed for installation inside the bottom of a light fixture body and is ideal for outdoor environments. The sensor operates at 120V/230V-240V and single phase 277V. The IP66 rated motion sensor is fully adjustable with high and low dimmed light level options and mounting heights from 8' to 40'.

Please refer to the MS4 Supplementary Datasheet for more product information.

DIMENSIONS: Please see Page 3 and 4 for dimension drawings.

PRODUCT DESCRIPTION:

Say goodbye to the clunky shoebox. The LED Slim Area Lights (AR-MAL) delivers class-leading efficacy in a lightweight design that can be effortlessly applied to new and retrofit outdoor projects. Offered in lumen packages ranging from 7,700lm to over 30,000lm watts, the AR-MAL Series achieves up to 129 lumens per watt while providing significant long-term energy and maintenance cost savings.

MODEL SELECTION		Typical order example: AR-MAL60UT350-BR					
FAMILY	NOMINAL WATTAGE	VOLTAGE	DISTRIBUTION	-	CCT	FINISH	OPTIONS
AR-MAL= Medium Area Light	60= 60W, 250W PSMH equivalent 100= 100W, 400W PSMH equivalent 140= 140W, 400W PSMH equivalent 280= 280W, 1000W PSMH equivalent	U= 120-277V H= 347-480V	T3= Type III T5= Type V	-	40= 4000K 50= 5000K	BR= Bronze *BL= Black *WH= White	(OMIT)= None MS1= Daylight/Motion Sensor RPC= NEMA 3-pin photocontrol options ***SS= 5kA Surge Suppressor

MOUNTING SELECTION		Typical order example: AR-MALSK-BR	
FAMILY	ARM	-	FINISH
AR-MAL = Medium Area Light	**SA= Straight Arm SK= Slipfitter Knuckle TS= Trunnion Swivel	-	BR= Bronze *BL= Black *WH= White

NOTES:

*Standard housing color is Bronze. Black, White, and RAL Custom Color match is available. Please contact your MaxLite Representative for lead times and pricing.

**The straight arm mounting fits square poles. For compatibility with round poles, combine the straight arm mounting with a round pole adaptor. See adaptor selection table on next page.

***Surge Suppressor only available with 120-277V models

SPECIFICATIONS:

				AR-MAL60	AR-MAL100	AR-MAL140	AR-MAL280
ITEM	SPECIFICATION			DETAILS			
GENERAL PERFORMANCE	Input Power (W)			60W	100W	140W	280W
	Type 3	4000K	Lumens	7,950	12,590	17,795	35,135
			BUG Rating	B2-U0-G2	B2-U0-G2	B3-U0-G3	B4-U0-G4
		5000K	Lumens	7,990	12,670	17,845	35,430
			BUG Rating	B2-U0-G2	B2-U0-G2	B3-U0-G3	B4-U0-G4
	Type 5	4000K	Lumens	7,970	12,490	17,900	34,720
			BUG Rating	B3-U0-G1	B3-U0-G1	B4-U0-G1	B5-U0-G2
		5000K	Lumens	7,990	12,540	18,080	35,520
			BUG Rating	B3-U0-G1	B3-U0-G1	B4-U0-G1	B5-U0-G2
	Efficacy (lm/W)			125-133			
	CRI			≥75			
	Lumen Maintenance (L70, TM-21 @ 25°C)			≥100,000			
	Color Temperature			5000K standard; 4000K available			
	Spacing Criteria			Available Upon Request			
Color Consistency			Proprietary Binning for Uniform Color				
ELECTRICAL	Power Factor (120V/277V)			>0.99/>0.89			
	Drive Current			150 mA			
	Input Voltage Range			120-277; 347-480			
PHYSICAL	Housing			Die-cast aluminium			
	Lens			Type III, Type V - Frosted lens			
	Mounting			Slip Fitter, Straight Arm, Trunion Mount options			
	Dimensions			22.48" L x 12.28" W x 3.22" H			24.6" L x 15.28" W 3.48" H
	Weight			16.1 lbs	16.3 lbs	17.0 lbs	24.8 lbs
	EPA (sq. ft)			0.43	0.43	0.43	0.49
	Operating Temperature			-40°F to 131°F (-40°C to 55°C)			
QUALIFICATIONS	Qualifications			DLC 4.2 Premium, cULus, LM-79, T24 compliant, IP65			
	Material Usage			RoHS compliant; no mercury			
	Environment			Outdoor, Wet location			
	Warranty			5 years			

ROUND POLE ADAPTORS**:**

ORDER CODE	MODEL	DESCRIPTION
107846	AR-MAL-4RPA	4" Round Pole Adaptor for AR-MAL Series, to be used with straight arm
107847	AR-MAL-5RPA	5" Round Pole Adaptor for AR-MAL Series, to be used with straight arm

****Must be used with straight arm mounting

ORDERING:

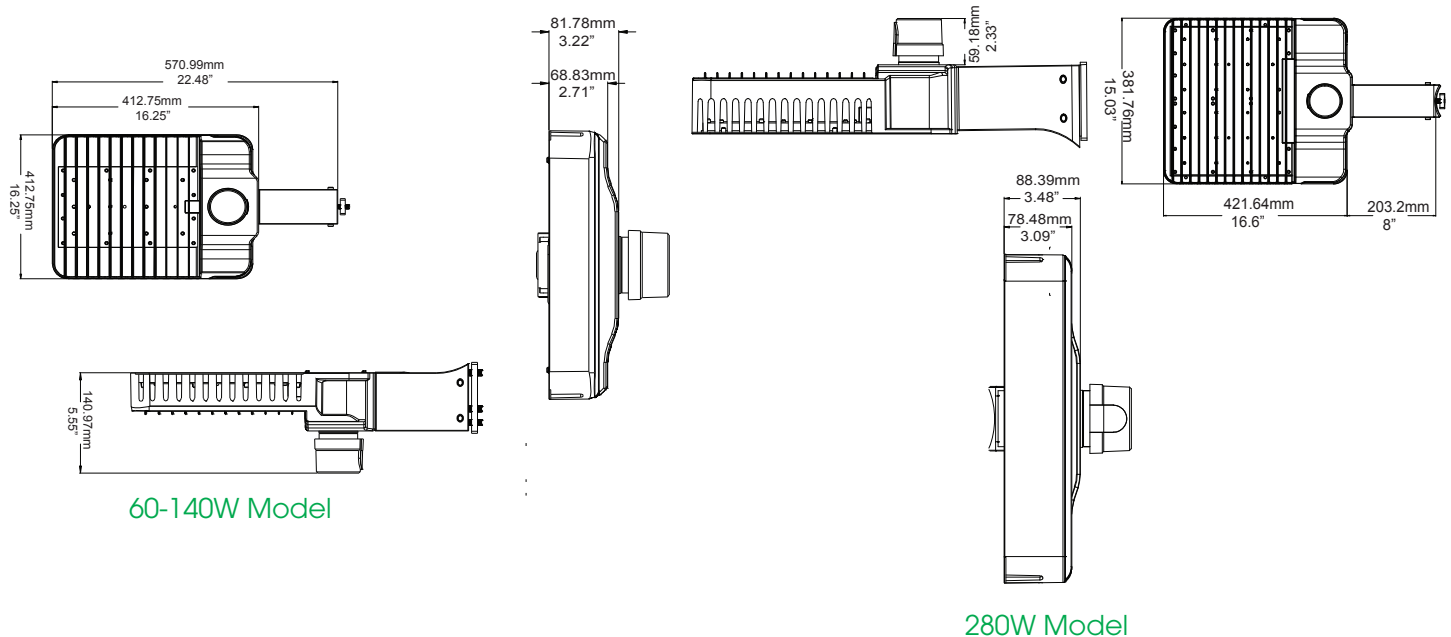
ORDER CODE	MODEL	FINISH	VOLTAGE	DISTRIBUTION	NOMINAL WATTAGE	CCT
103544	AR-MAL60UT3-50BR	BRONZE	120-277	TYPE III	60	5000K
107412	AR-MAL60UT5-50BR	BRONZE	120-277	TYPE V	60	5000K
103553	AR-MAL100UT3-50BR	BRONZE	120-277	TYPE III	100	5000K
107421	AR-MAL100UT5-50BR	BRONZE	120-277	TYPE V	100	5000K
103562	AR-MAL140UT3-50BR	BRONZE	120-277	TYPE III	140	5000K
107430	AR-MAL140UT5-50BR	BRONZE	120-277	TYPE V	140	5000K
103571	AR-MAL280UT3-50BR	BRONZE	120-277	TYPE III	280	5000K
107439	AR-MAL280UT5-50BR	BRONZE	120-277	TYPE V	280	5000K

*Please contact your MaxLite representative to order products that don't have order codes listed here.

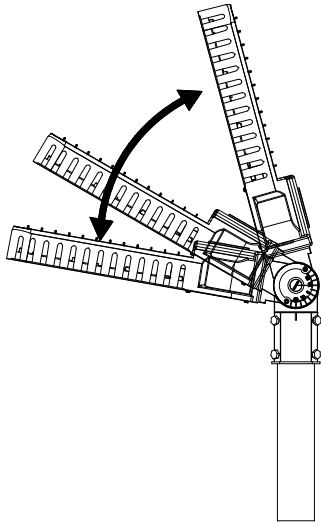
ACCESSORY ORDERING:

ITEM ACCESSORY	ITEM NAME	ITEM DESCRIPTION	ORDER CODE
Photocell Receptacles	6390LBK	Twist-Lock Electronic Photocontrol 120/208/240/277V	72055
	6394LL	Twist-Lock Electronic Photocontrol 432-528VAC	1408292
Motion Sensor	FSP-211	Line Voltage 120/277V High/Low/Off Pir Fixture Integrated Outdoor Occupancy/Daylight Sensor	102183
Remote Control	FSIR-100	Remote Handheld Configuration Tool	102184
House Side Shields	AR-MAL-S-HS-B	House Side Shield for AR-MAL Series, Bronze Finish, Small Size compatible with 60W/100W/140W Models	1408947
	AR-MAL-L-HS-B	House Side Shield for AR-MAL Series, Bronze Finish, Small Size compatible with 280W Model	1408946
Surge Suppressor	SS05KA277VSR1-181	Surge Suppressor 5kA 120-277V	1409178

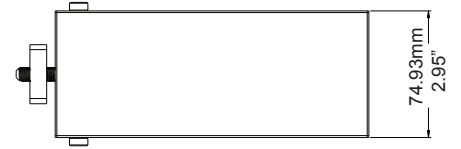
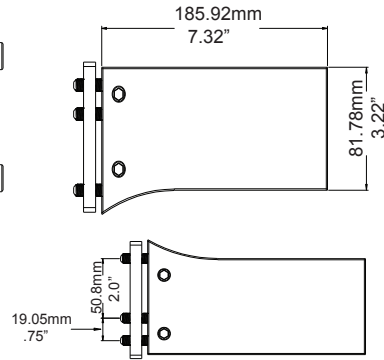
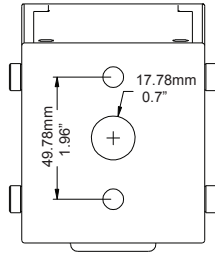
DIMENSIONS:



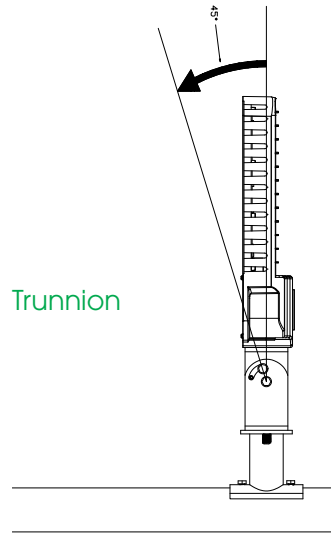
DIMENSIONS:



Slip Fitter



Straight Arm Pole



Trunnion