

PHOTONMAX 1000W DE HPS

The PhotonMax, Double Ended High Pressure Sodium (HPS) Horticulture complete solution, is MaxLite's legacy complete fixture solution. Utilizing Double Ended HPS lamp technology, that delivers the proven and true results that cultivars depend on, with leading in class PPF output. The ultimate solution for commercial Green House's and even indoor facilities. From leafy greens, tomatoes, and even cannabis, these fixtures provide plants with the energy they need for cycles ahead.



PERFORMANCE:

- Delivers up to 2 umol/J
- Double Ended HPS Lamp
- 120V, 277V and 347V Available

MECHANICAL:

- Ballast Dimensions: 10.62" x 7.2" x 4.25"
- Reflector Dimensions: 9.05" x 12.20" x 4.13"

FINISHES:

- White Finish

CONSTRUCTION:

- Aluminum Ballast
- High Reflectivity Aluminum Reflector
- Cooling Fins along ballast for Passive Cooling design

MOUNTING:

- Mounted with supplied cables

ENVIRONMENT:

- Damp or Dry Location

MODEL SELECTION		Typical order example: MP-CP28UP-50B				
PH	-	1000	-		DE	
FAMILY	-	NOMINAL WATTAGE	FIXTURE VOLTAGE	-	TYPE	CONNECTION
PH= PhotonMax		1000= 1000W	HPS= High Pressure Sodium 120V HPS2= High Pressure Sodium 277V HPS3= High Pressure Sodium 347V		F= Complete Fixture (Lamp, Ballast, Refelctor) L= Lamp Only	DE= Double Ended

ORDERING INFORMATION:

ORDER NUMBER	MODEL	DESCRIPTION
1409955	PH-1000HPS-F-DE	1000W 120V-240V DOUBLE ENDED HPS COMPLETE FIXTURE WITH LAMP
14099005	PH-1000HPS2-F-DE	1000W 277V DOUBLE ENDED HPS COMPLETE FIXTURE WITH LAMP
14099631	PH-1000HPS3-F-DE	1000W 347V DOUBLE ENDED HPS COMPLETE FIXTURE WITH LAMP
1410139	PH-1000HPS-L-DE	1000W DOUBLE ENDED HIGH PRESSURE SODIUM LAMP

PHOTONMAX 1000W DE HPS

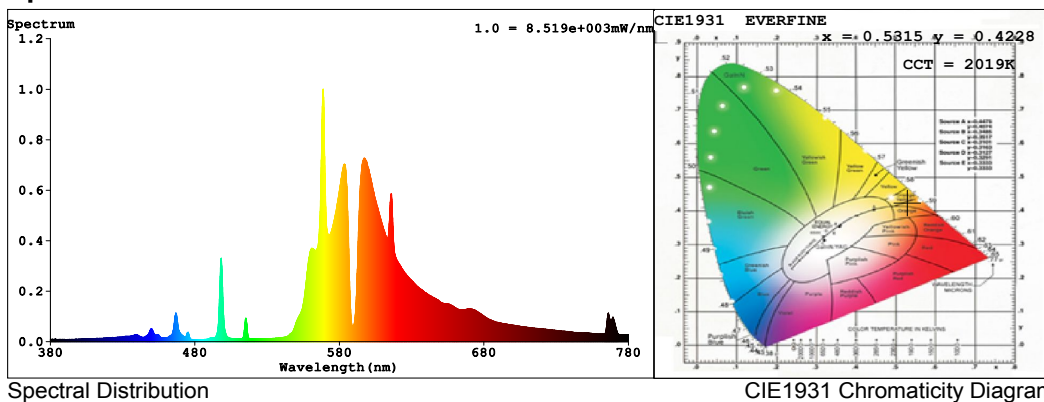
SPECIFICATIONS:

SPECIFICATIONS:		PH-1000HPS-F-DE	PH-1000HPS2-F-DE	PH-1000HPS3-F-DE
ITEM	SPECIFICATION	DETAILS		
GENERAL PERFORMANCE	Wattage	1000W		
	Ballast Efficiency	93%		
	Lifetime (Lamp)	10,000 Hours		
	BTU Output	3,412 BTU's/Hour		
ELECTRICAL	Frequency	50/60Hz		
	Input Voltage	120V	277V	347V
	THD	≤10%		
	Power Factor	≥.98		
PHYSICAL	Start/Warm up	5 Mins.		
CERTIFICATION	Certifications	ETL, CETL		

BALLAST SPECIFICATIONS:

SPECIFICATIONS	PH-1000HPS-F-DE	PH-1000HPS2-F-DE	PH-1000HPS3-F-DE
DETAILS			
Input Voltage	120V	277V	347V
Input Frequency (HZ)	50/60 HZ		
Input Power Factor	≥.98		
THD (%)	≤10		
Wave Crest Ratio	≤1.7		
Starting Time (Seconds)	5 Minutes Maximum		
Pulse Start	4-5KV		
Output Rated Frequency	110HZ		
Open Circuit Voltage	≤440		
Efficiency	≥93%		
6-Phase Dimming	Yes		
0-10V Dimming	No	Yes	Yes

SPECTRAL ANALYSIS:



PHOTONMAX 1000W DE HPS

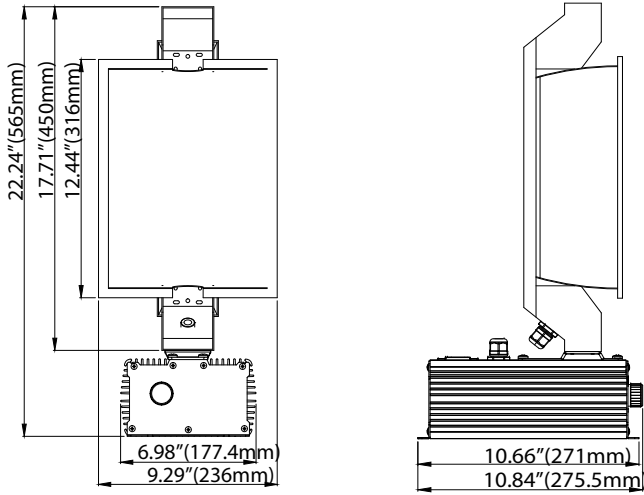
LAMP SPECIFICATIONS:

PH-1000HPS-L-DE

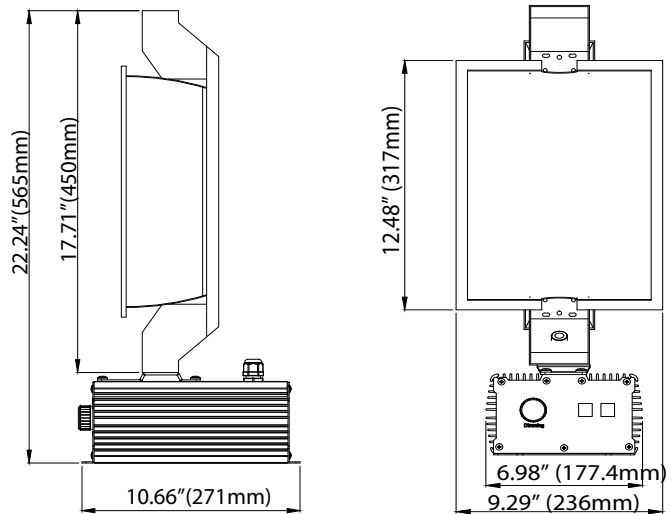
ITEM	SPECIFICATION	DETAILS
GENERAL PERFORMANCE	Cap-Base	K12X30S [K12x30s]
	Operating Position	Horizontal
	Life To 10% Failures	10,000 HRSW
	Sytem Description	HPS1000W Super K12x30s
	Dimensions	12.79" x 1.29" x 1.29"
LIGHT TECHNICAL	Color Code	210 [CCT of 2100K]
	Luminous Flux (Rated)	≥135,000
	Photosynthetic Photon Flux (PPF)	≥1,900
	PPF Maintenance (4,000 Hour)	≥95%
	PPF Maintenance (8,000 Hour)	≥88%
	PPF Maintenance (10,000 Hour)	≥85%
	Chromaticity Coordinate X (Nom)	0.5315
	Chromaticity Coordinate Y (Nom)	0.4228
	Correlated Color Temperature (Nom)	2100K
	Luminous Efficacy (Rated) (Nom)	135 lm/w
	Color Rendering Index (Nom)	25
OPERATING AND ELECTRICAL	Lamp Supply Voltage	170-250V
	Power (Rated) (Min)	950W
	Power (Rated) (Nom)	1000W
	Ignition Supply Voltage	≥3500V
	Re-ignition Time (Min) (Max)	3 minutes
	Igition Time	≤5 Seconds
CONTROLS AND DIMMING	Dimmable	Yes
	Run-Up Time 90% (Max)	10 mins@25°C
APPOVAL AND APPLICATION	Energy Efficiency	1.08/H
	Mercury (Hg) Content (Nom)	40mg
	Energy Consumption kWh/1000	1080KW
LUMINAIRE DESIGN	Lamp Temperature (Max)	700°C
MECHANICAL AND HOUSING	Lamp Finish	Clear

PHOTONMAX 1000W DE HPS

PH-1000HPS-F-DE



PH-1000HPS2-F-DE



PH-1000HPS3-F-DE

