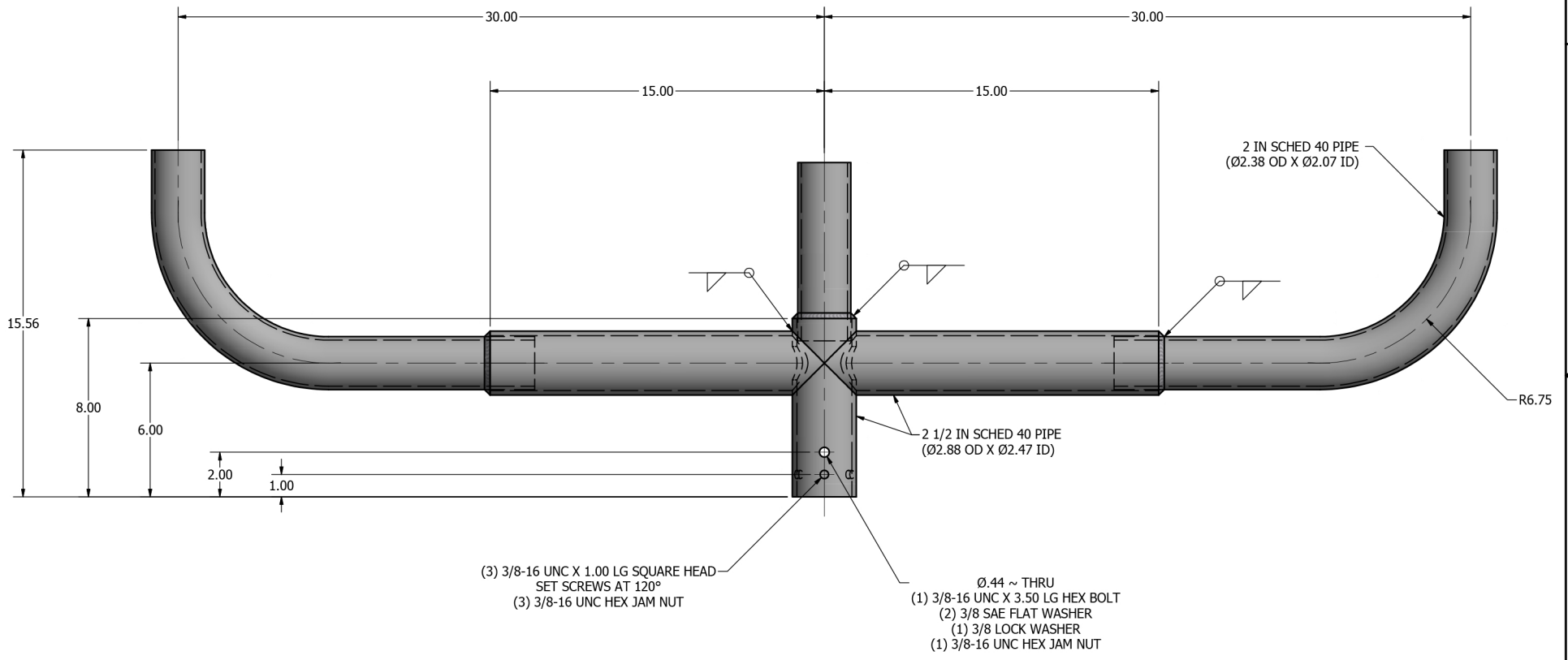


POST TOP BULLHORN BRACKET	EPA (SQ. FT.)
DESCRIPTION	
3 IN LINE FLOOD MOUNT	2.2



PL-BB318-B

POLE TOP FLOODLIGHT MOUNTING BRACKETS SLIP FIT Ø2.38 O.D. PIPE SIZE. BRACKET TENONS ARE Ø2.38 O.D. PIPE SIZE. EACH BRACKET HAS A MAXIMUM CAPACITY OF TWO, THREE, OR FOUR 1000 WATT FLOODLIGHTS, DEPENDING ON MOUNTING CONFIGURATION. SLIP FITTERS FOR Ø3.00 IN & Ø4.00 IN TENONS ARE AVAILABLE UPON REQUEST. BRACKETS ARE FINISHED TO MATCH POLE REQUIREMENTS.6

BRACKETS CATALOGED ARE CONSTRUCTED OF STEEL AND ARE FOR USE ON STEEL AND ALUMINUM POLES. IF ALUMINUM BRACKETS ARE REQUIRED FOR ALUMINUM POLES, PLEASE CONTACT YOUR REPRESENTATIVE.

