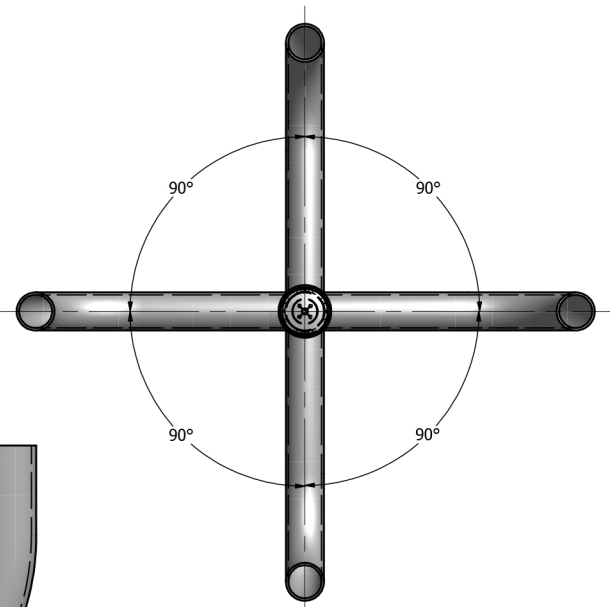
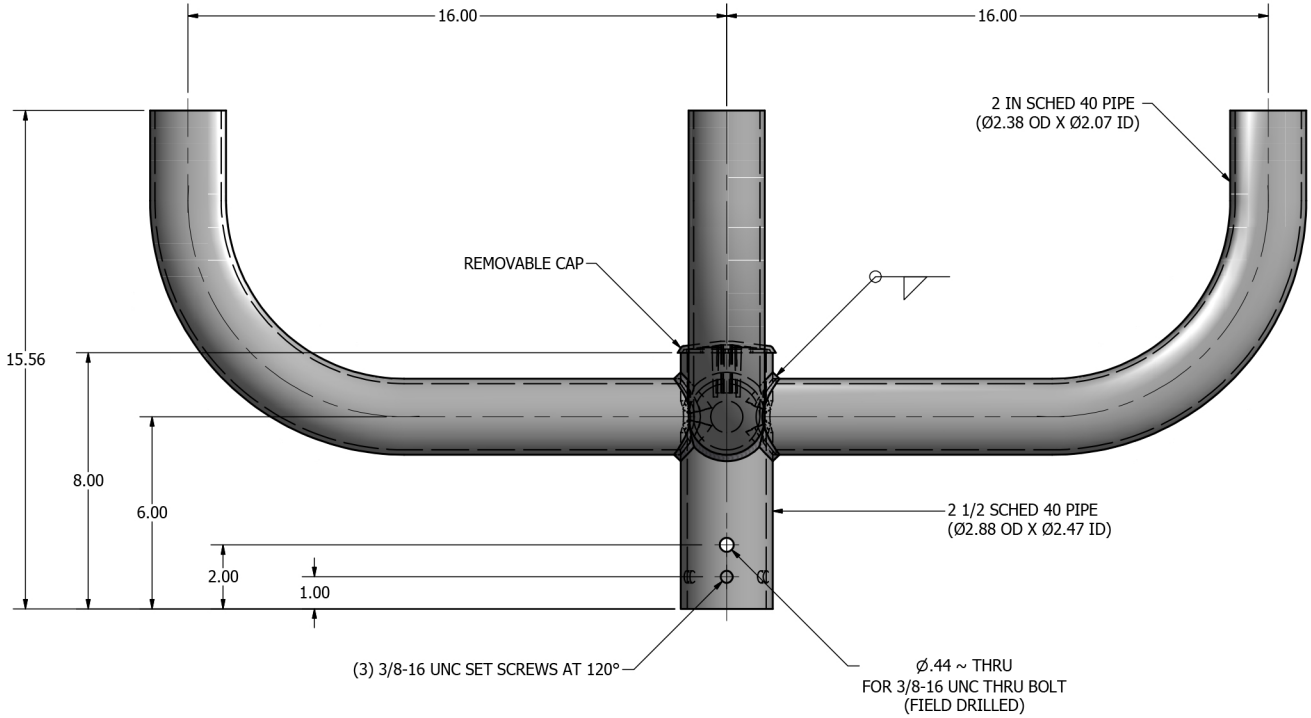


POST TOP BULLHORN BRACKET		EPA (SQ. FT.)
DESCRIPTION		
4 FLOOD LIGHTS AT 90 DEG.		1.6



VIEW A-A
POST TOP BULLHORN TOP VIEW

PL-BB490-B

POLE TOP FLOODLIGHT MOUNTING BRACKETS SLIP FIT $\varnothing 2.38$ O.D. PIPE SIZE. BRACKET TENONS ARE $\varnothing 2.38$ O.D. PIPE SIZE. EACH BRACKET HAS A MAXIMUM CAPACITY OF TWO, THREE, OR FOUR 1000 WATT FLOODLIGHTS, DEPENDING ON MOUNTING CONFIGURATION. SLIP FITTERS FOR $\varnothing 3.00$ IN & $\varnothing 4.00$ IN TENONS ARE AVAILABLE UPON REQUEST. BRACKETS ARE FINISHED TO MATCH POLE REQUIREMENTS.

BRACKETS CATALOGED ARE CONSTRUCTED OF STEEL AND ARE FOR USE ON STEEL AND ALUMINUM POLES. IF ALUMINUM BRACKETS ARE REQUIRED FOR ALUMINUM POLES, PLEASE CONTACT YOUR REPRESENTATIVE.

