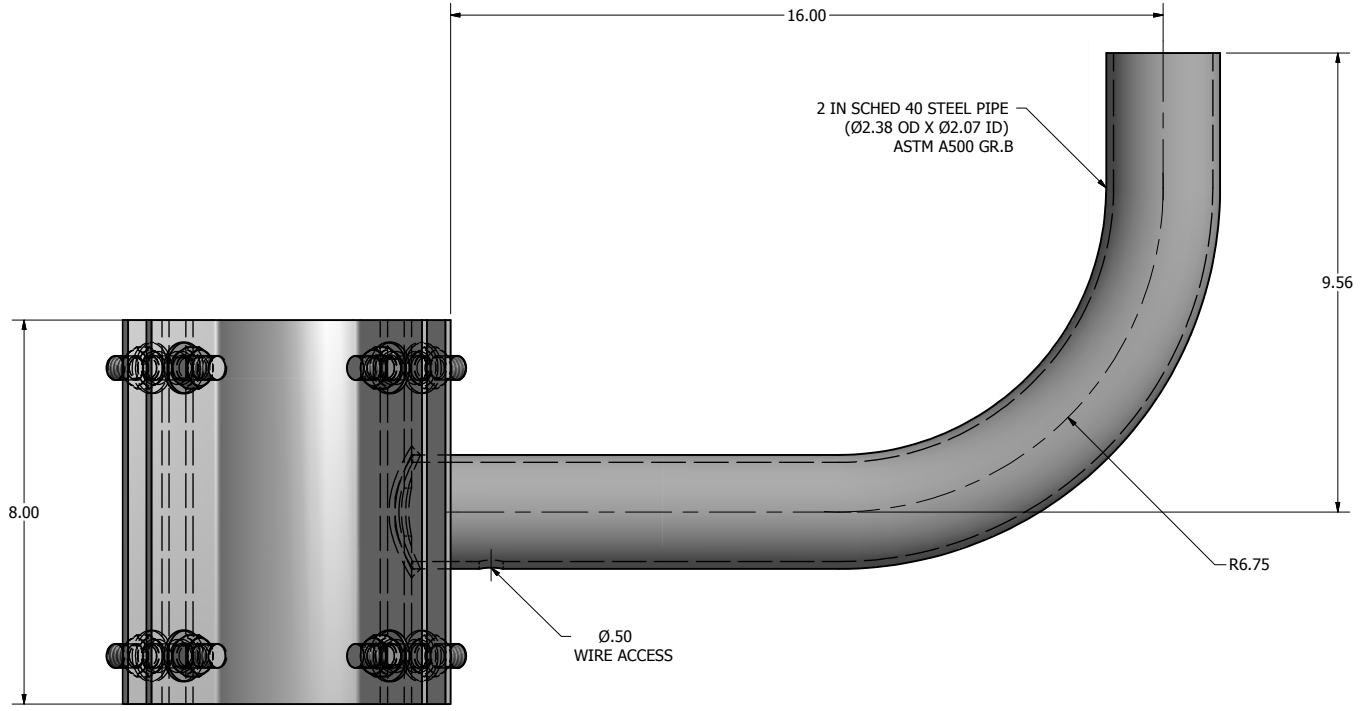
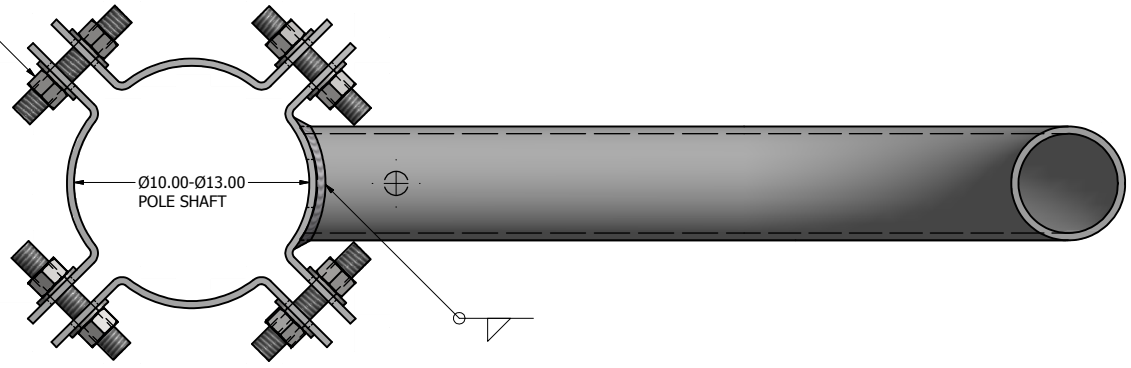


# OF FLOODLIGHTS	POLE SIZING	LUMINAIRE WEIGHT (PER ARM)
1	10.00-13.00 DIA	90 LBS. MAX

- (8) 5/8-11 UNC X 6.00" THREADED ROD
- (16) 5/8 SAE FLAT WASHER
- (16) 5/8 LOCK WASHER
- (16) 5/8-11 UNC HEX JAM NUT



NOTE: LUMINAIRE WEIGHT PER ARM 90 LBS MAX.
FINISH: BRACKET SHALL BE POLYESTER POWDER COAT FINISH IN A STANDARD COLOR OR HOT DIPPED GALVANIZED FINISH PER ASTM A123 SPECIFICATIONS.

PL-CB190-13

