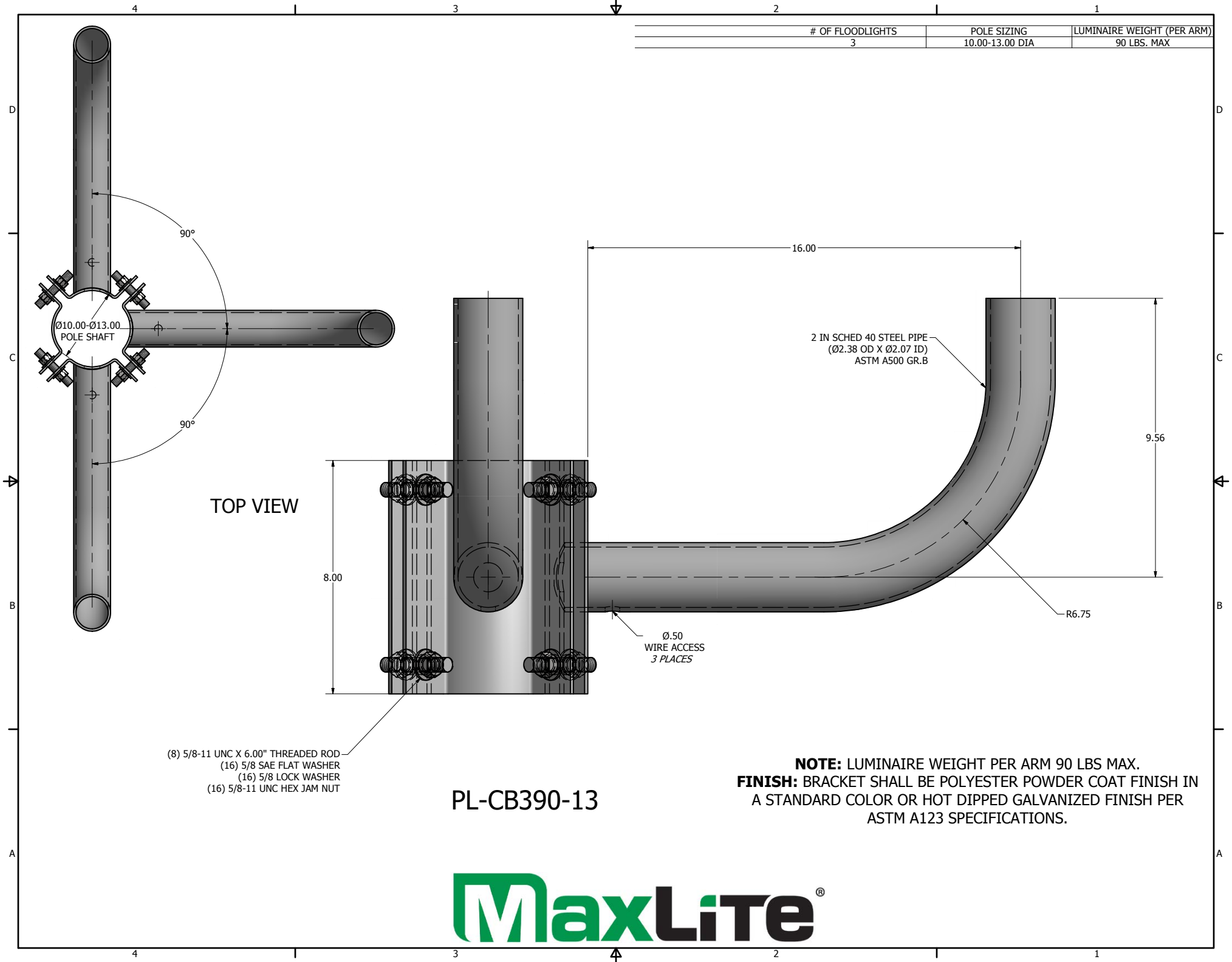


# OF FLOODLIGHTS	POLE SIZING	LUMINAIRE WEIGHT (PER ARM)
3	10.00-13.00 DIA	90 LBS. MAX



TOP VIEW

2 IN SCHED 40 STEEL PIPE
(Ø2.38 OD X Ø2.07 ID)
ASTM A500 GR. B

Ø.50
WIRE ACCESS
3 PLACES

- (8) 5/8-11 UNC X 6.00" THREADED ROD
- (16) 5/8 SAE FLAT WASHER
- (16) 5/8 LOCK WASHER
- (16) 5/8-11 UNC HEX JAM NUT

PL-CB390-13

NOTE: LUMINAIRE WEIGHT PER ARM 90 LBS MAX.
FINISH: BRACKET SHALL BE POLYESTER POWDER COAT FINISH IN
A STANDARD COLOR OR HOT DIPPED GALVANIZED FINISH PER
ASTM A123 SPECIFICATIONS.

