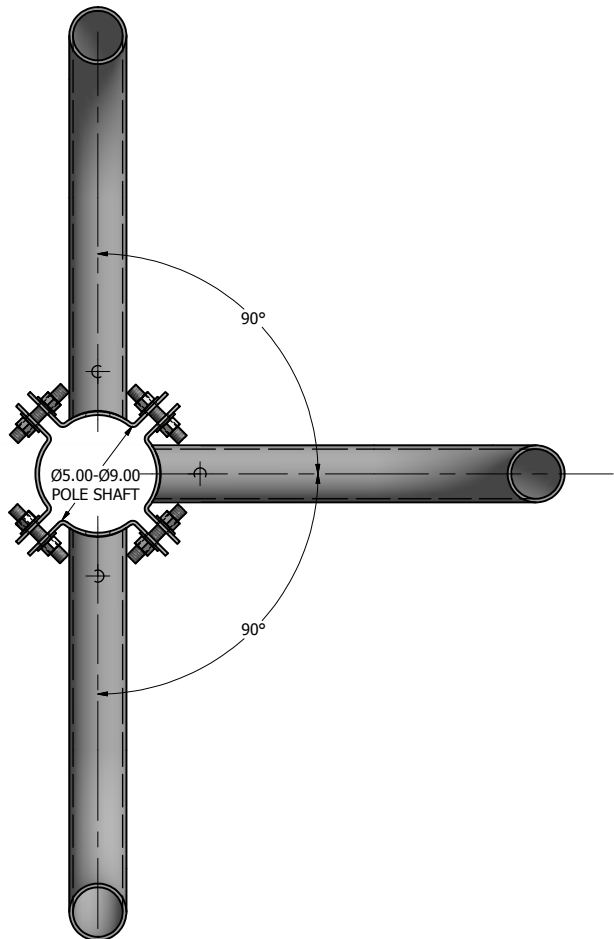
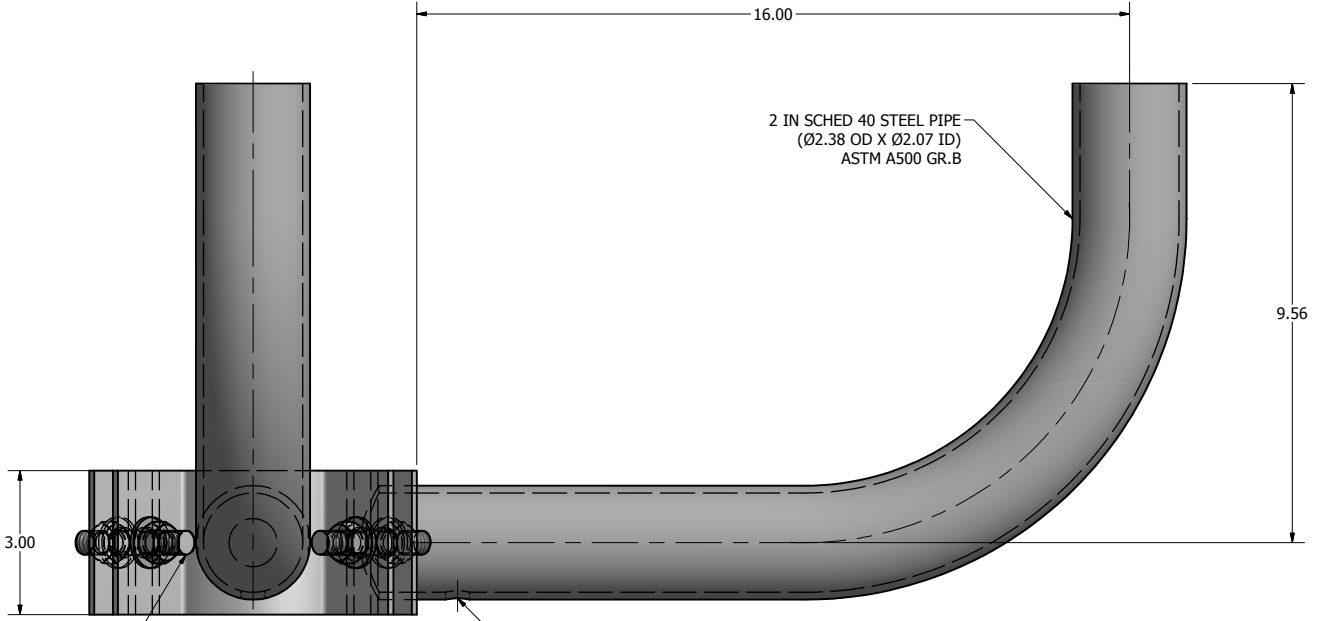


# OF FLOODLIGHTS	POLE SIZING	LUMINAIRE WEIGHT (PER ARM)
3	5.00-9.00 DIA	50 LBS. MAX



TOP VIEW



- (4) 5/8-11 UNC X 3.00" THREADED ROD
- (8) 5/8 SAE FLAT WASHER
- (8) 5/8 LOCK WASHER
- (8) 5/8-11 UNC HEX JAM NUT

Ø.50  
WIRE ACCESS  
3 PLACES

**NOTE:** LUMINAIRE WEIGHT PER ARM 50 LBS MAX.  
**FINISH:** BRACKET SHALL BE POLYESTER POWDER COAT FINISH IN A STANDARD COLOR OR HOT DIPPED GALVANIZED FINISH PER ASTM A123 SPECIFICATIONS.

PL-CB390-9

