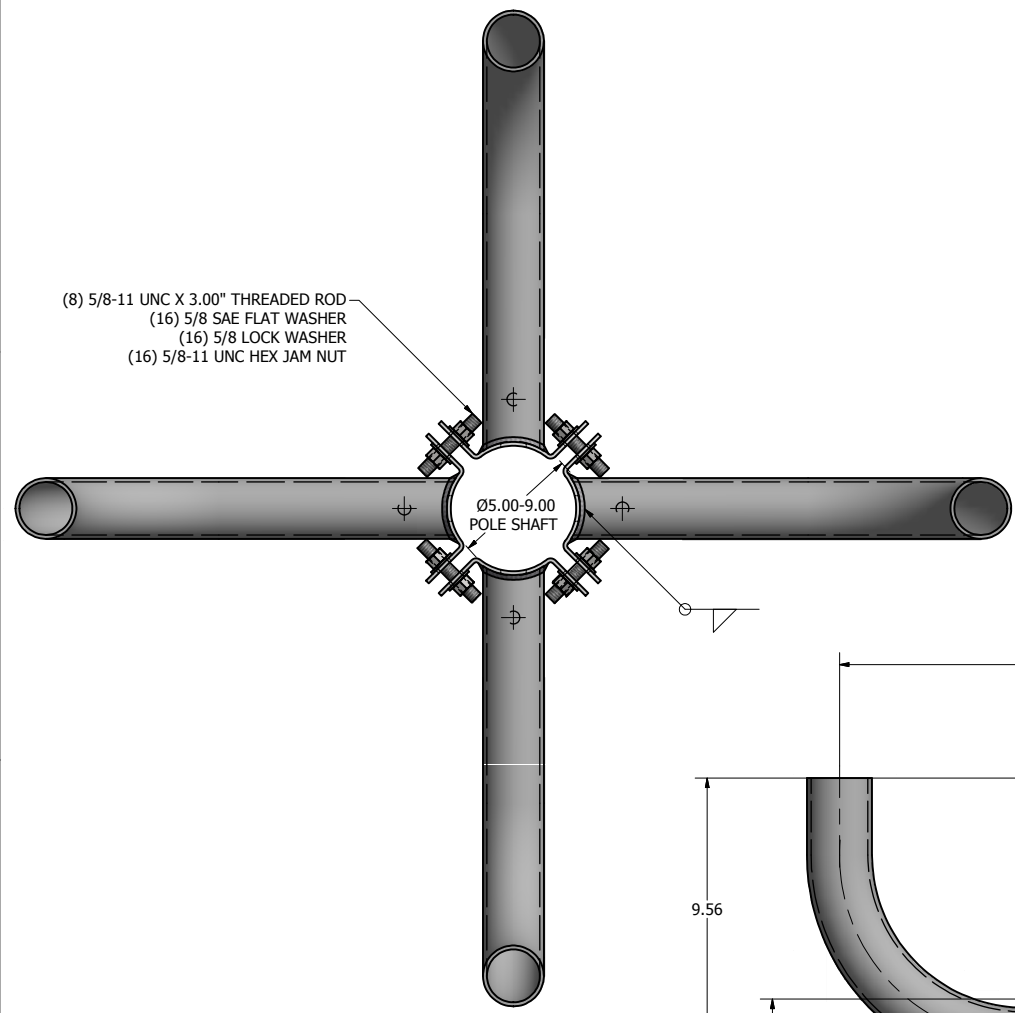
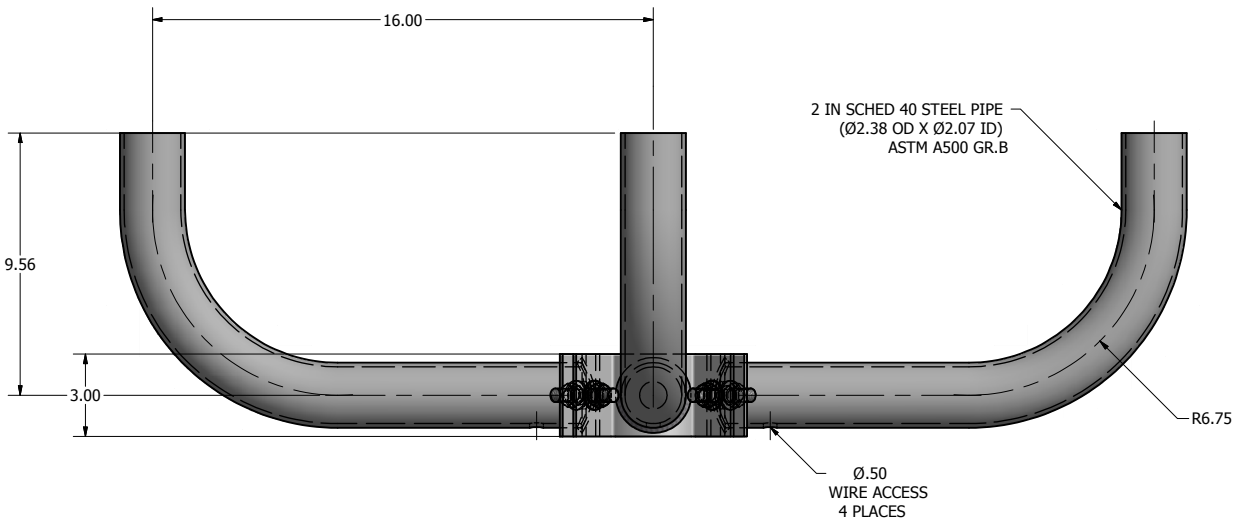


# OF FLOODLIGHTS	POLE SIZING	LUMINAIRE WEIGHT (PER ARM)
4	5.00-9.00 DIA	50 LBS. MAX

- (8) 5/8-11 UNC X 3.00" THREADED ROD
- (16) 5/8 SAE FLAT WASHER
- (16) 5/8 LOCK WASHER
- (16) 5/8-11 UNC HEX JAM NUT



TOP VIEW



PL-CB490-9

NOTE: LUMINAIRE WEIGHT PER ARM 50 LBS MAX.
FINISH: BRACKET SHALL BE POLYESTER POWDER COAT FINISH IN A STANDARD COLOR OR HOT DIPPED GALVANIZED FINISH PER ASTM A123 SPECIFICATIONS.

