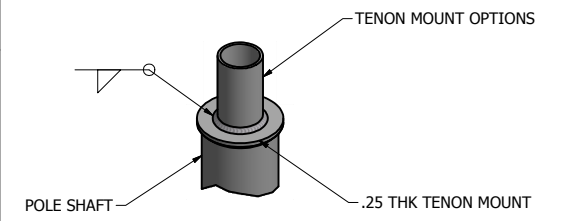
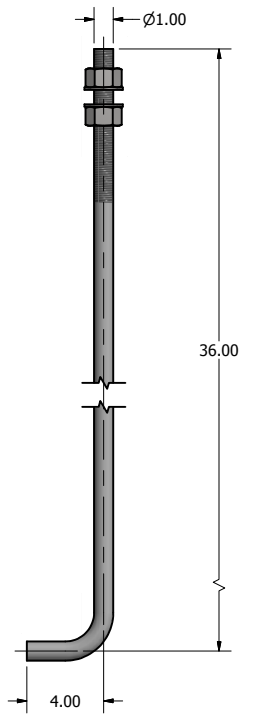


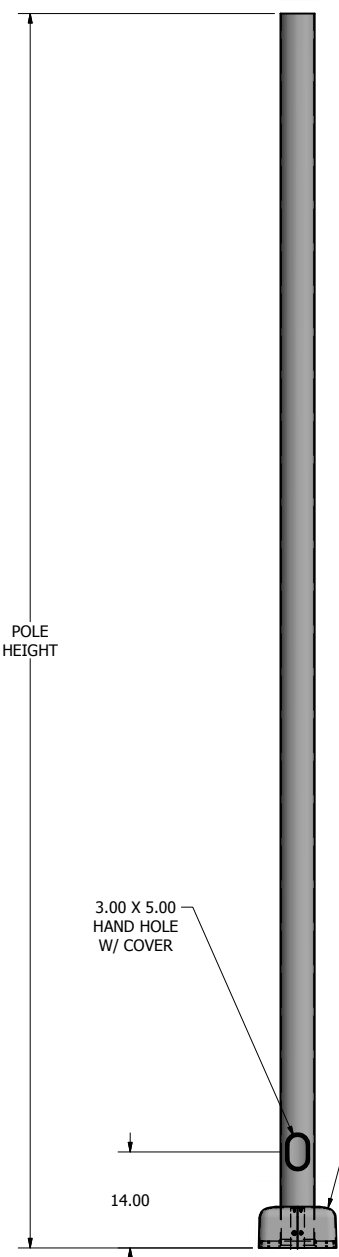
**DRILLED MOUNT OPTIONS**



**TENON MOUNT OPTIONS**



**$\varnothing 1.00$  X 40.00 ANCHOR BOLT**



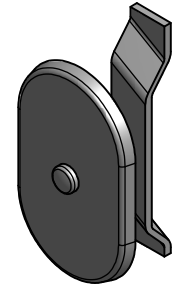
3.00 X 5.00 HAND HOLE W/ COVER

REMOVABLE ABS BASE COVER

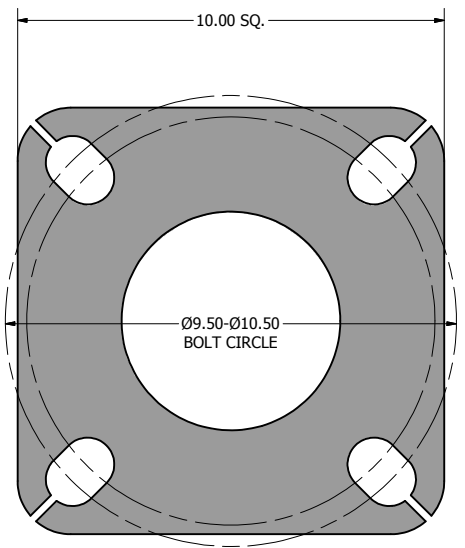
**POLE DETAIL  
PL-RS5-30x07**

POLE SPECIFICATIONS					
NO.	COMPONENT	ASTM DESIGNATION	MIN. YIELD (P.S.I)		
1.	POLE SHAFT	A-500 GR. B	46,000		
2.	BASE PLATE	A36	36,000		
3.	ANCHOR BOLTS	F1554 GR. 55	55,000		
4.	GALVANIZED HARDWARE	A153	-		
FINISH SPECIFICATIONS					
POLES SHALL HAVE A POLYESTER POWDER COAT FINISH IN A STANDARD COLOR.					
POLE DIMENSIONS					
POLE HGT. (FT.)	TOP DIA. (IN.)	BOTTOM DIA. (IN.)	MTG. HGT. (FT.)		
30'	5.00	5.00	30'		
BASE PLATE DIMENSIONS					
BOLT CIRCLE (IN.)	BASE PLATE DIM. (IN.)	BOLT HOLE (IN.)	PLATE THK. (IN.)		
9.50-10.50	10.00 SQ	1.25	1.00		
ANCHOR BOLT DIMENSIONS					
ANCHOR BOLT DIA. (IN.)		ANCHOR BOLT LENGTH (IN.)			
1.00		40.00			
ALLOWABLE WIND LOADING (SQ. FT.)					
WIND*	INDICATED EPA	80 MPH	90 MPH	100 MPH	120 MPH
EPA	-	7.9	6.6	4.8	2.7

\*WITH 1.3 GUST FACTOR



**3.00 X 5.00 HAND HOLE COVER**



**10.00 X 10.00 X 1.00 THK. BASE PLATE**

