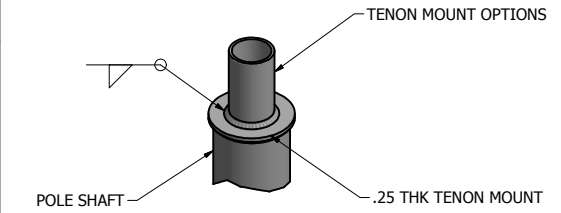
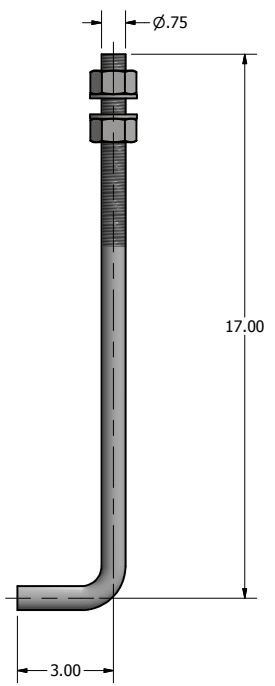


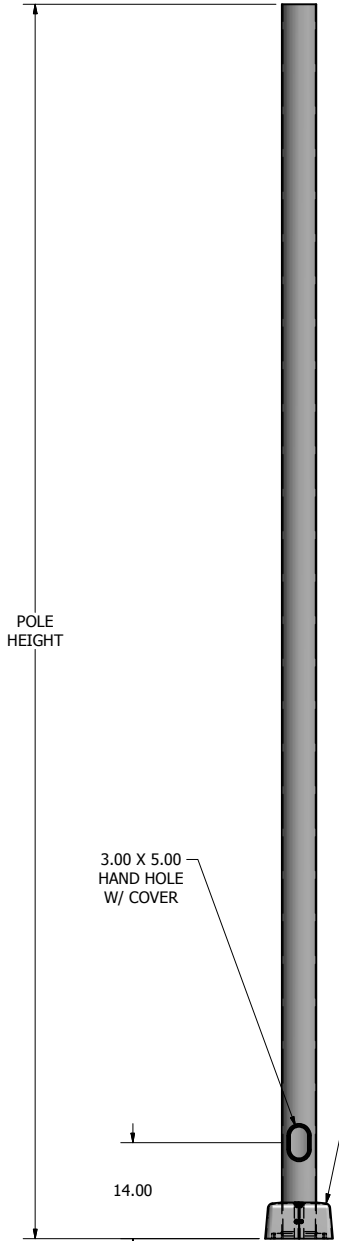
**DRILLED MOUNT OPTIONS**



**TENON MOUNT OPTIONS**



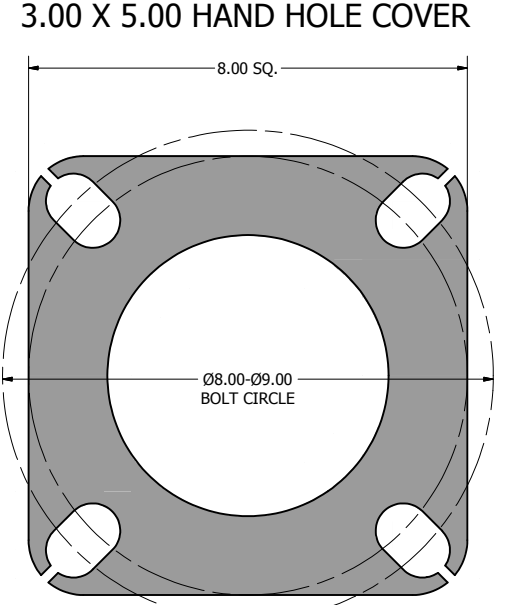
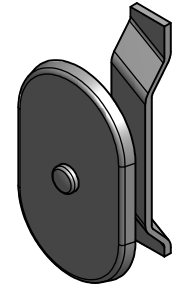
**$\varnothing.75$  X 20.00 ANCHOR BOLT**



**POLE DETAIL  
PL-RS5-30x11**

POLE SPECIFICATIONS			
NO.	COMPONENT	ASTM DESIGNATION	MIN. YIELD (P.S.I)
1.	POLE SHAFT	A-500 GR. B	46,000
2.	BASE PLATE	A36	36,000
3.	ANCHOR BOLTS	F1554 GR. 55	55,000
4.	GALVANIZED HARDWARE	A153	-
FINISH SPECIFICATIONS			
POLES SHALL HAVE A POLYESTER POWDER COAT FINISH IN A STANDARD COLOR.			
POLE DIMENSIONS			
POLE HGT. (FT.)	TOP DIA. (IN.)	BOTTOM DIA. (IN.)	MTG. HGT. (FT.)
30'	5.00	5.00	30'
BASE PLATE DIMENSIONS			
BOLT CIRCLE (IN.)	BASE PLATE DIM. (IN.)	BOLT HOLE (IN.)	PLATE THK. (IN.)
8.00-9.00	8.00 SQ	1.00	.75
ANCHOR BOLT DIMENSIONS			
ANCHOR BOLT DIA. (IN.)		ANCHOR BOLT LENGTH (IN.)	
.75		20.00	
ALLOWABLE WIND LOADING (SQ. FT.)			
WIND*	INDICATED EPA	80 MPH	90 MPH
EPA	-	4.0	2.8
		100 MPH	120 MPH
		2.0	-

\*WITH 1.3 GUST FACTOR



**8.00 X 8.00 X .75 THK. BASE PLATE**

