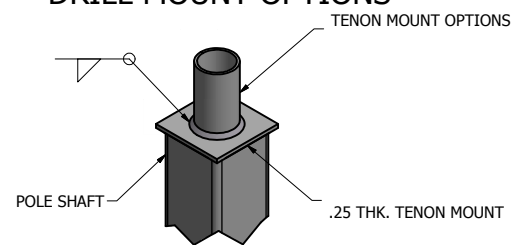
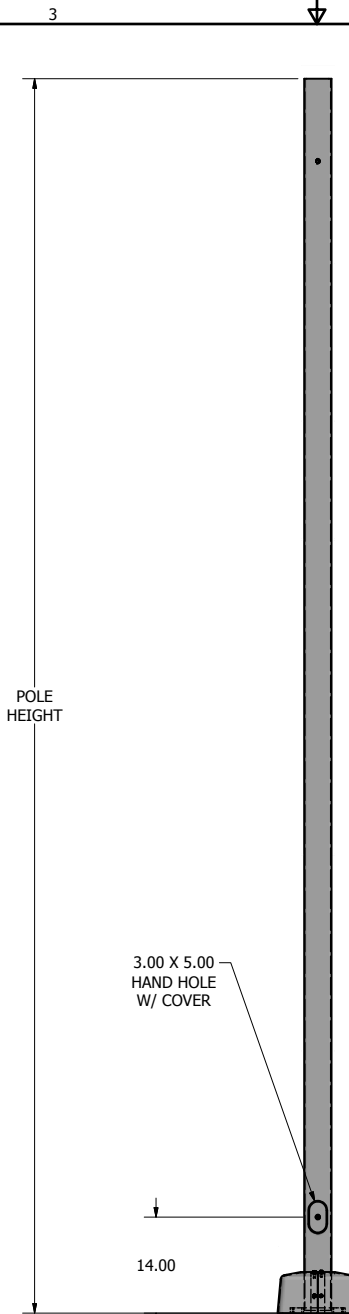
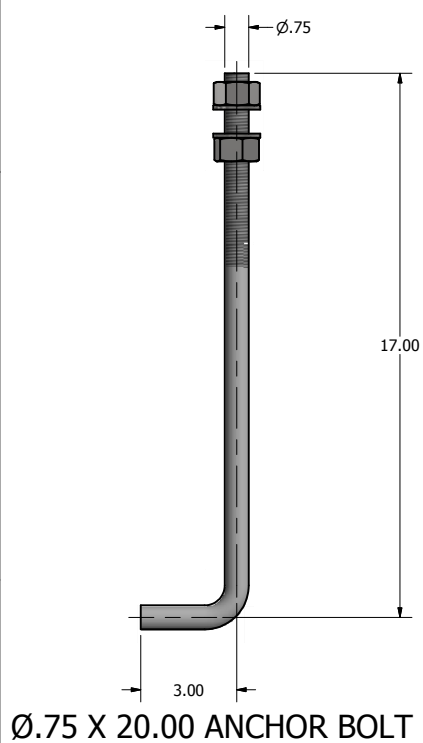


**DRILL MOUNT OPTIONS**



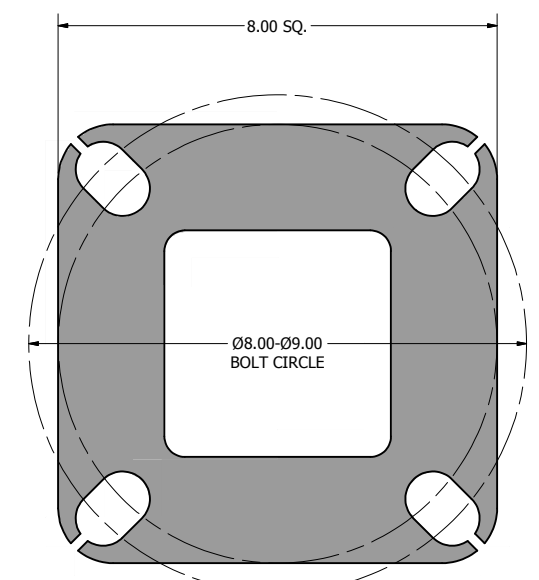
**TENON MOUNT OPTIONS**



**POLE DETAIL  
PL-SQ4-20x11**

| POLE SPECIFICATIONS  |                       |                          |                    |                 |         |
|--|-----------------------|--------------------------|--------------------|-----------------|---------|
| NO.  | COMPONENT             | ASTM DESIGNATION         | MIN. YIELD (P.S.I) |                 |         |
| 1.   | POLE SHAFT            | A-500 GR. B              | 46,000             |                 |         |
| 2.   | BASE PLATE            | A36                      | 36,000             |                 |         |
| 3.   | ANCHOR BOLTS          | F1554 GR. 55             | 55,000             |                 |         |
| 4.   | GALVANIZED HARDWARE   | A153                     | -                  |                 |         |
| FINISH SPECIFICATIONS  |                       |                          |                    |                 |         |
| POLES SHALL HAVE A POLYESTER POWDER COAT FINISH IN A STANDARD COLOR. |                       |                          |                    |                 |         |
| POLE DIMENSIONS  |                       |                          |                    |                 |         |
| POLE HGT. (FT.)  | TOP SQ. SIZE (IN.)    | BOT. SQ. SIZE (IN.)      | GAGE               | MTG. HGT. (FT.) |         |
| 20'  | 4.00                  | 4.00                     | 11 GAGE            | 20'             |         |
| BASE PLATE DIMENSIONS  |                       |                          |                    |                 |         |
| BOLT CIRCLE (IN.)  | BASE PLATE DIM. (IN.) | BOLT HOLE (IN.)          | PLATE THK. (IN.)   |                 |         |
| 8.00-9.00  | 8.00 SQ               | 1.00                     | .75                |                 |         |
| ANCHOR BOLT DIMENSIONS   |                       |                          |                    |                 |         |
| ANCHOR BOLT DIA. (IN.)   |                       | ANCHOR BOLT LENGTH (IN.) |                    |                 |         |
| .75  |                       | 20.00                    |                    |                 |         |
| ALLOWABLE WIND LOADING (SQ. FT.)                                     |                       |                          |                    |                 |         |
| WIND*  | INDICATED EPA         | 80 MPH                   | 90 MPH             | 100 MPH         | 120 MPH |
| EPA  | -                     | 9.0                      | 7.3                | 5.9             | 4.2     |

\*WITH 1.3 GUST FACTOR



**8.00 X 8.00 X .75 THK. BASE PLATE**

