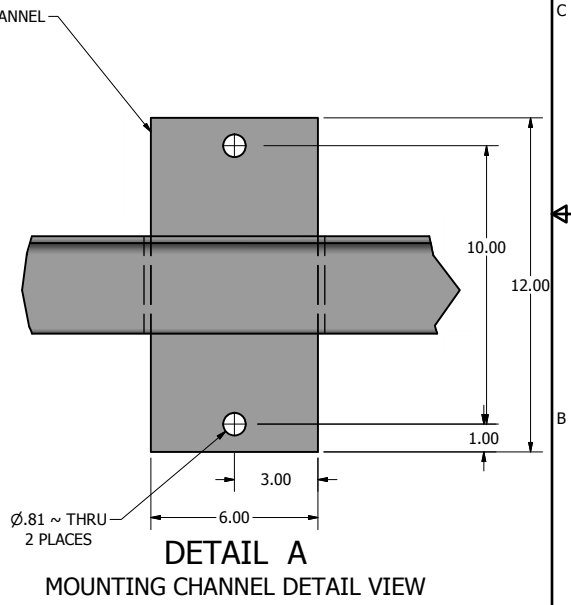
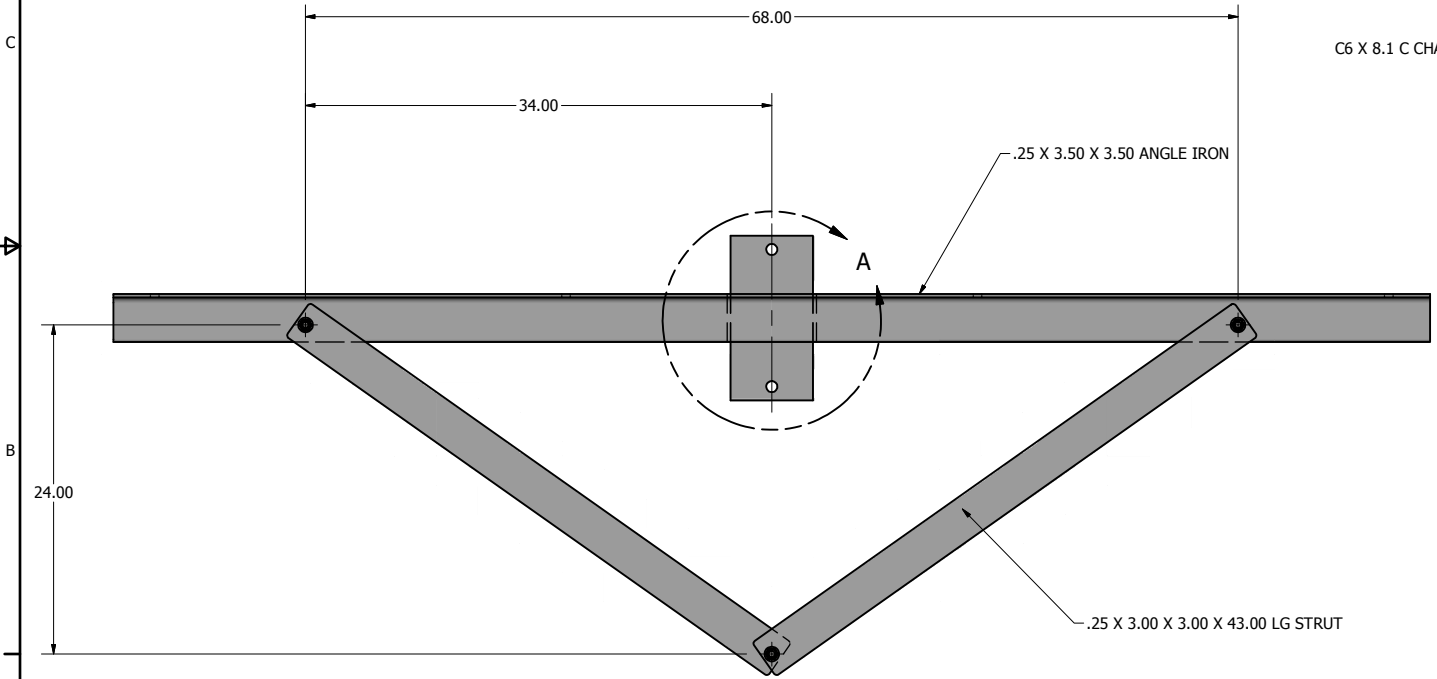
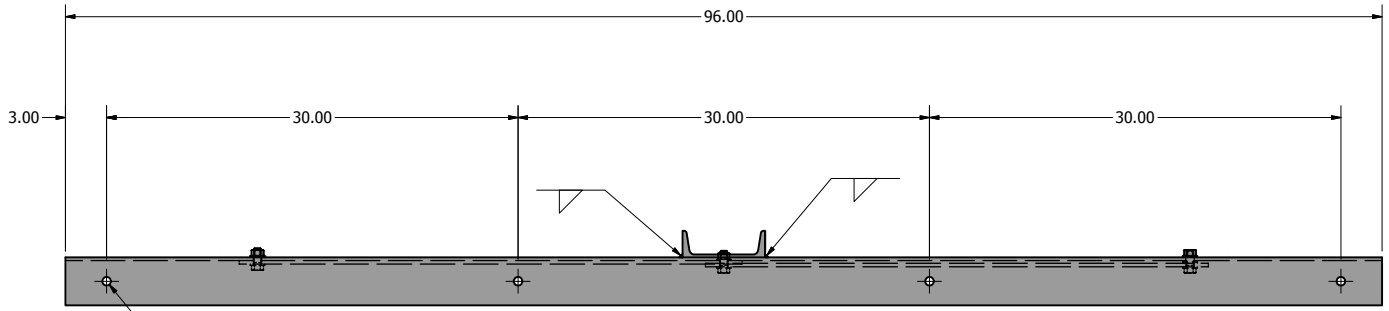


PXBW BRACKET SPECIFICATIONS	
# OF FIXTURES	EPA (SQ. FT.)
4	3.70



PL-XAB4

CROSS ARM BRACKETS ARE CONSTRUCTED WITH STRUCTURAL ANGLE IRON & C CHANNEL CONFORMING TO ASTM A-36 HRS SPECIFICATIONS. BRACKETS ARE DESIGNED FOR DIRECT SIDE MOUNTING TO WOOD POLES. BRACKETS SHALL HAVE A POLYESTER POWDER COAT FINISH IN A STANDARD COLOR.

