

4

3

2

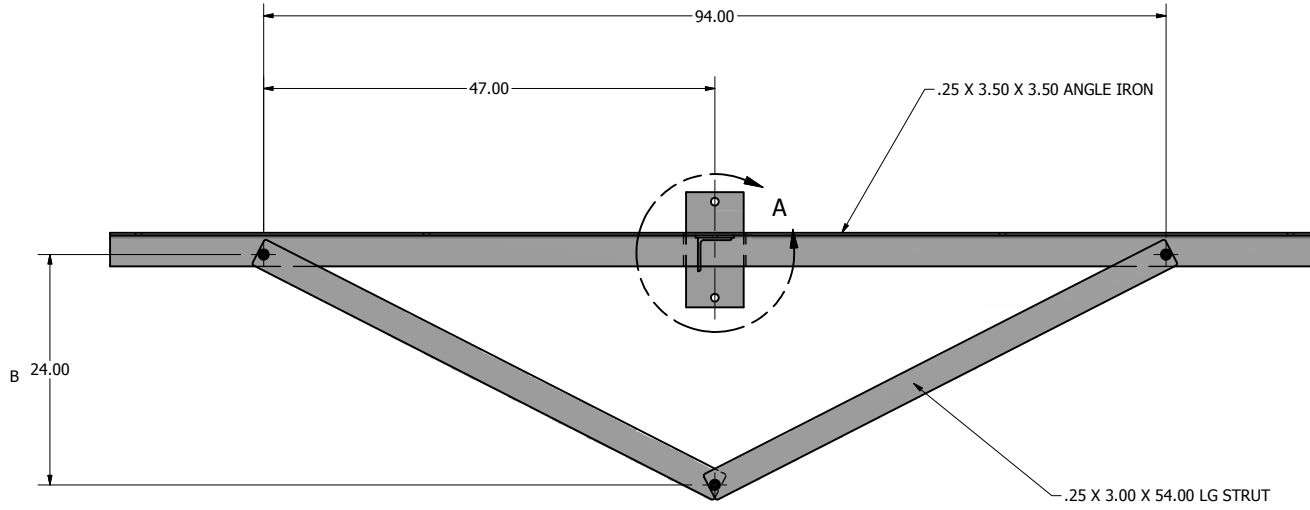
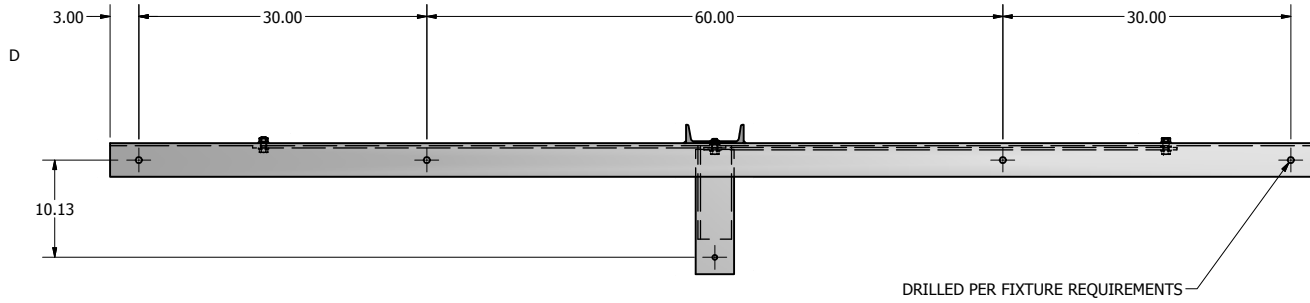
PXBW BRACKET SPECIFICATIONS

# OF FIXTURES

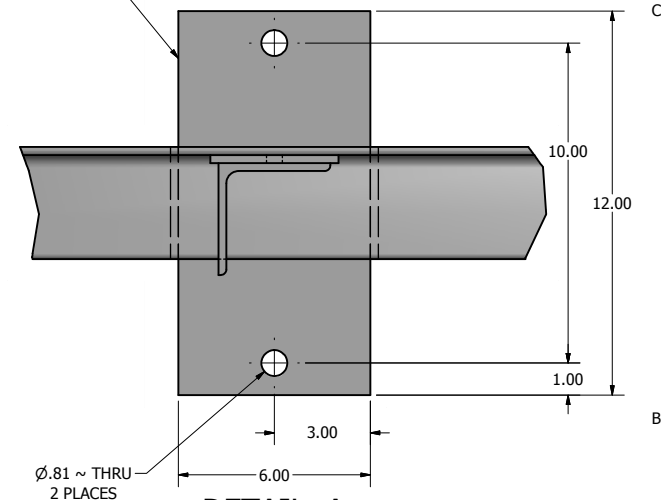
5

EPA (SQ. FT.)

4.50



C6 X 8.1 C CHANNEL



DETAIL A  
MOUNTING CHANNEL DETAIL VIEW