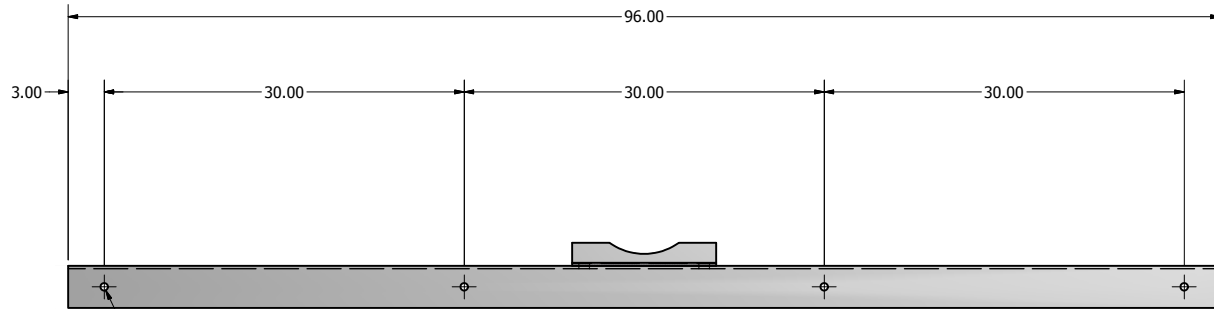
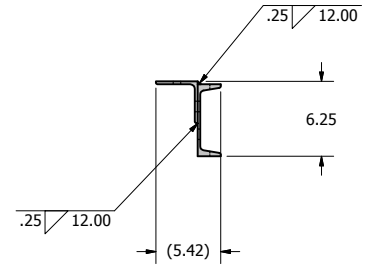
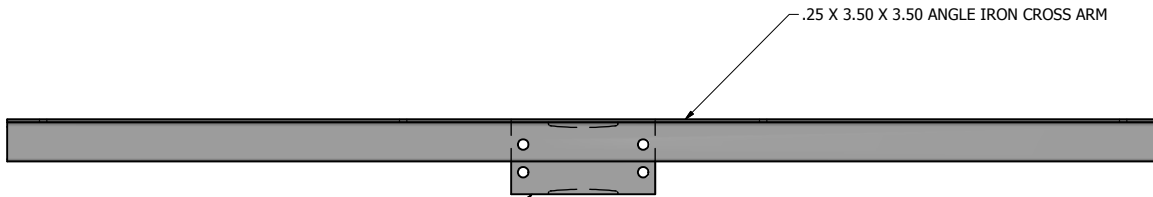
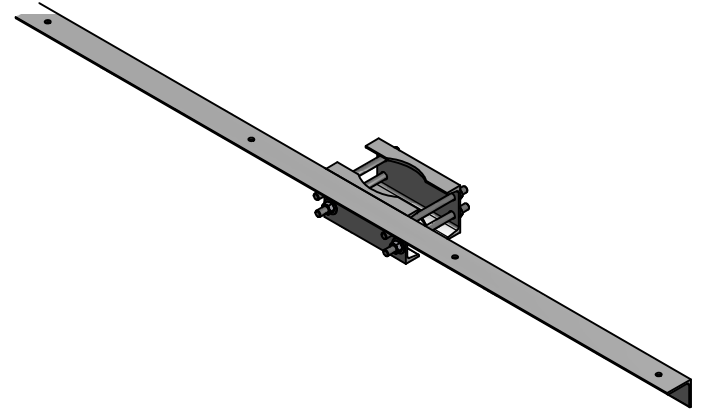


BRACKET SPECIFICATIONS

# OF FIXTURES	EPA (SQ. FT.)	SHIPPING WT. (LBS)
4	3.70	71



DRILLED PER FIXTURE REQUIREMENTS



PL-XCB4

CROSS ARM BRACKETS ARE CONSTRUCTED WITH STRUCTURAL ANGLE IRON & C CHANNEL CONFORMING TO ASTM A-36 HRS SPECIFICATIONS. BRACKETS ARE DESIGNED FOR DIRECT SIDE MOUNTING TO METAL POLES. BRACKETS COME WITH MOUNTING HARDWARE AND ARE FINISHED TO MATCH POLE.

