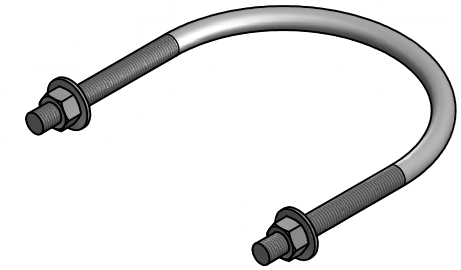
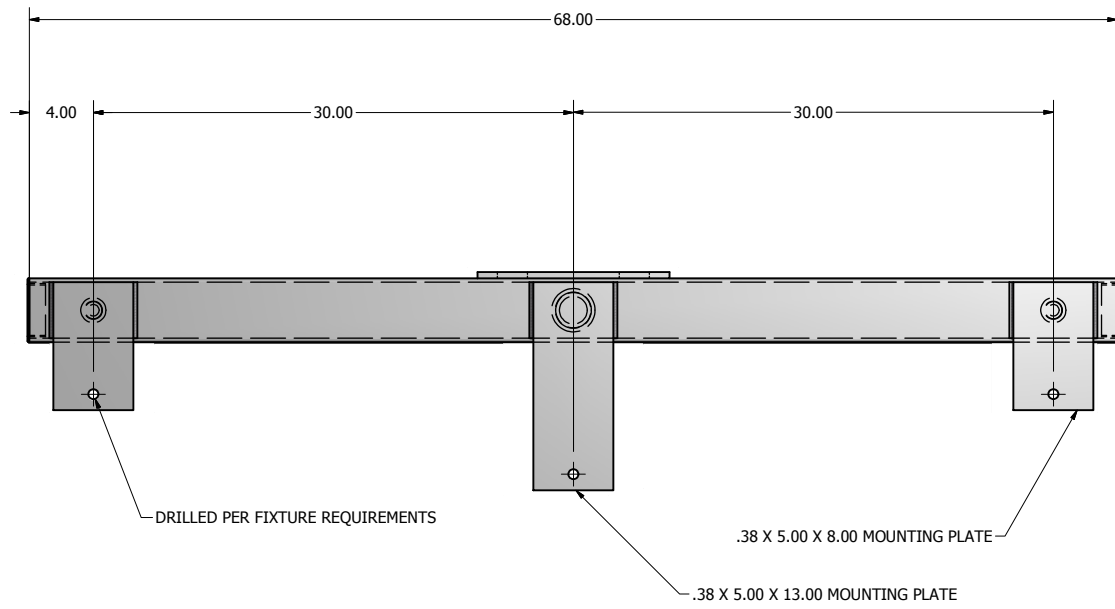
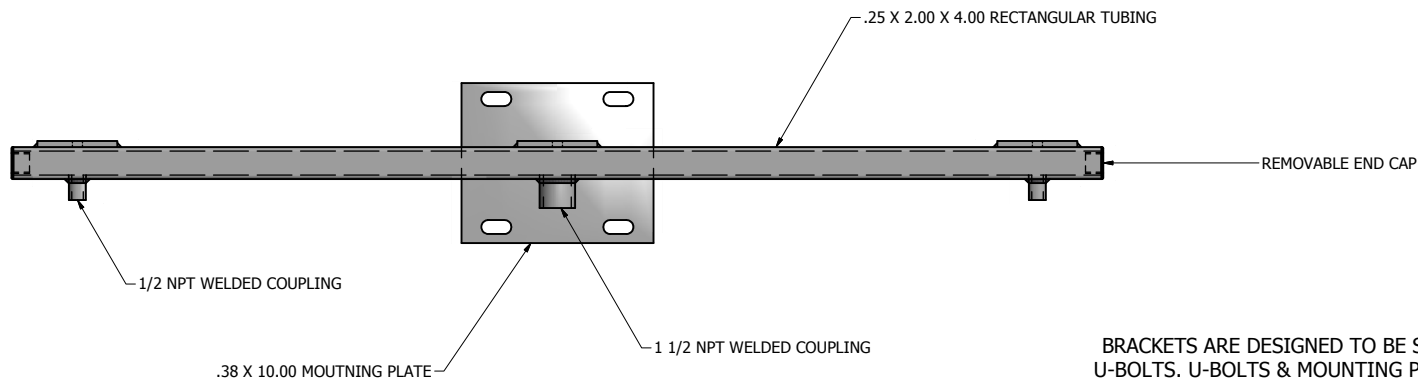


SIDE MOUNTED CROSS ARM SPECIFICATIONS

FIXTURE QTY	EPA (SQ FT.)	WEIGHT (LBS.)
3	2.60	77



BRACKETS FASTENED TO POLE USING U BOLTS



BRACKETS ARE DESIGNED TO BE SIDE MOUNTED TO THE POLE SHAFT USING U-BOLTS. U-BOLTS & MOUNTING PLATE SIZING DETERMINED BY SHAFT SIZE. BRACKETS ARE FINISHED TO MATCH THE POLE.

PL-XSB3

