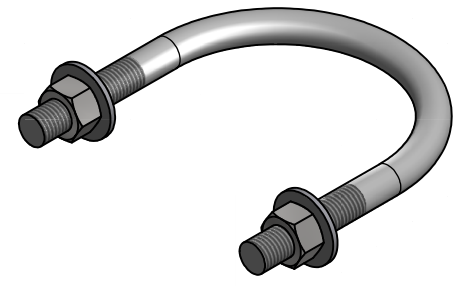
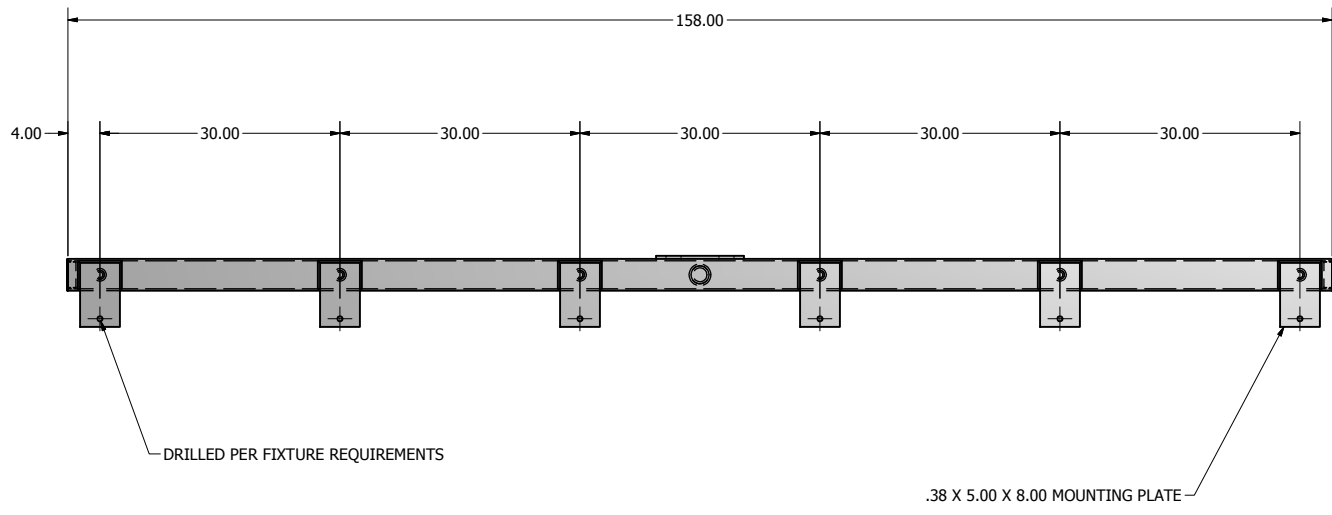
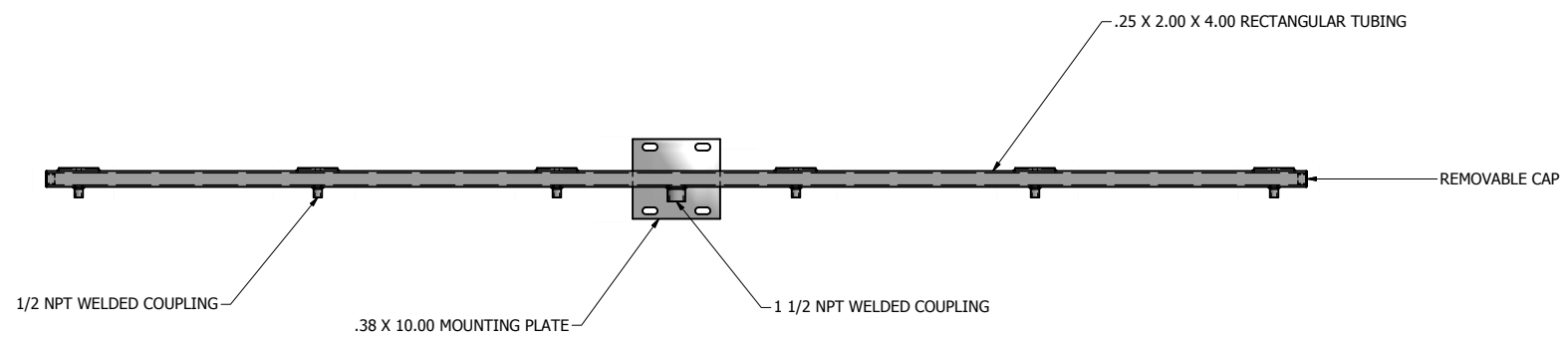


SIDE MOUNTED CROSS ARM SPECIFICATIONS		
FIXTURE QTY	EPA (SQ. FT.)	WEIGHT (LBS.)
6	4.75	160



BRACKETS FASTENED TO POLE USING U BOLTS



PL-XSB6

BRACKETS ARE DESIGNED TO BE SIDE MOUNTED TO THE POLE SHAFT USING U-BOLTS. U-BOLTS & MOUNTING PLATE SIZING DETERMINED BY SHAFT SIZE. BRACKETS ARE FINISHED TO MATCH THE POLE.

