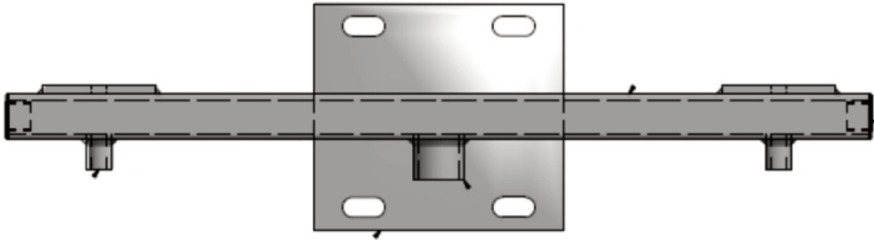




MaxLite® Crossarm Installation Instructions

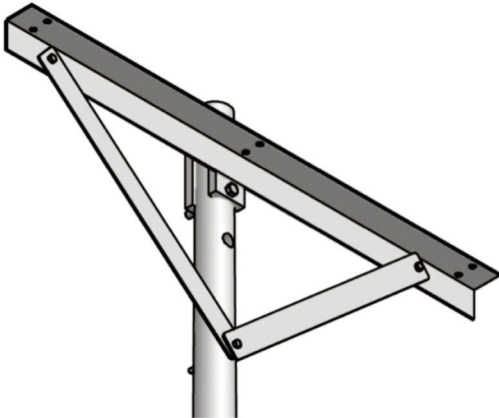
PL-XSB Models - Side Mount Style

1. Bolt the mounting bracket to the pole shaft using the supplied U-bolt. The bracket needs to be positioned above the wire access coupling on the pole shaft.
2. Bolt the fixture to the mounting plate on the bracket.
3. Feed the fixture power supply into the coupling located on the bottom of the bracket arm under the fixture mounting plate. Run the power supply to the central bracket coupling.
4. Run the power supply out of the central bracket coupling into the wire access coupling on the pole shaft.



PL-XAB Models - Angle Mount Style

1. Bolt the bracket to the wood pole using mounting bolts. **NOTE:** Mounting bolts are not included.
2. Bolt the fixture to the mounting plate on the bracket.
3. Feed the fixture power supply to the conduit or track on the wood pole (not included).



PL-XCB Models - Collar Mount Style

1. Insert the bracket onto the pole shaft. Clamp the bracket and tighten it around the pole shaft.
2. Bolt the fixture to the mounting plate on the bracket.
3. Feed the fixture power supply into the wire access hole on the pole.

