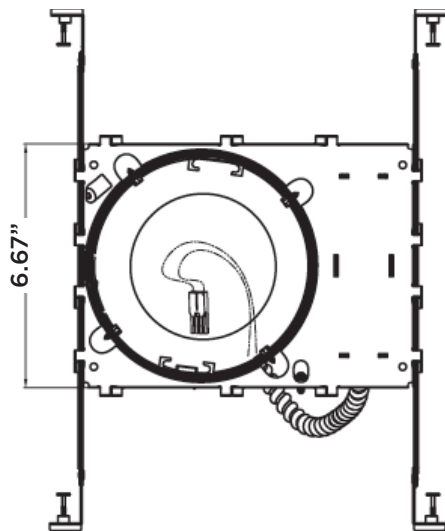
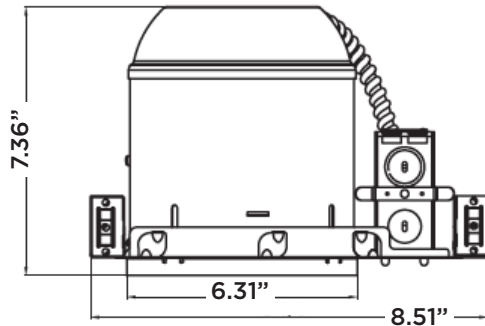


PROJECT NAME: _____ CAT. #: _____
 NOTES: _____ FIXTURE SCHEDULE: _____

6" IC Air Tight New Construction Housing



Product Description:

New construction housing for use in insulated ceilings can be in direct contact with insulation. Air-tight construction provides energy savings by reducing the flow of air through the ceiling. The housing is labeled for use with 6" residential retrofits downlights.

Features:

- IC Air-Tight energy saving by reducing the flow of air through the ceiling
- Rated for feed through branch circuit wiring
- Quick connect provided
- 24-1/2" Bar hangers with captive nails and alignment foot
- Accommodates 1-1/4" maximum ceiling thickness

Construction:

- Steel housing
- Bar Hangers: Two 13-3/4" to 24-1/2" adjustable bar hangers with captive nails are included on the frame. Hanger bars have T-Bar slot and alignment feet. Bar hangers are parallel to junction box, but can be repositioned 90 degree perpendicular to junction box if desired. "L" Shaped bar hanger foot to align to bottom of construction joist. A T-Bar notch allows easy installation in a suspended ceiling.
- Junction Box: Prewired galvanized steel, with two 1/2", three 3/4", and one 1-1/8" knockouts, four Romex® pryouts, and snap on covers. All leads are #18AWG wire, the ground wire is connected to the bottom, and quick connectors are supplied on all leads. Through branch circuit wiring, (4-in, 4-out).

Listings:

- cULus Listed for Damp Location with Feed Through capabilities. Wet Location when used with designated luminaires.
- Meets or exceeds ASTM-283 Air-Tight Requirements
- Washington State Energy Code Approved



1-year standard warranty (further details available at www.maxlite.com/warranties)
 Product may be eligible for a warranty extension to 10 years, for an additional fee. Contact MaxLite for details.