

## MaxLite® Universal Downlight RCF Series (Wattage & CCT Selectable)



### General Safety Information

- Before installing, servicing, or performing routine maintenance upon this equipment, follow these general precautions.
- To reduce the risk of death, personal injury or property damage from fire, electric shock, falling parts, cuts/abrasions, and other hazards read all warnings and instructions included with and on the fixture box and all fixture labels.
- Commercial installation, service and maintenance of luminaires should be performed by a qualified licensed electrician.
- For Residential installation: If you are unsure about the installation or maintenance of the luminaires, consult a qualified licensed electrician and check your local electrical code.
- DO NOT INSTALL DAMAGED PRODUCT!
- This fixture is intended to be connected to a properly installed and grounded UL listed junction box.



Picture is for illustration purposes only.  
Your model may vary.

**Models:**  
**RCF Series - Wattage & CCT Selectable**

**Input Rating:** 120-277V 50/60 Hz  
**Dimming:** 0-10V & Triac/ELV  
**Operating Temperature:**  
-4° F to 104° F (-20°C to 40°C)  
**Rating:** Wet Location Rated

### **WARNING: RISK OF ELECTRICAL SHOCK**

- Turn off the electrical power at fuse or circuit breaker box before wiring fixture to power supply.
- Turn off the power when you perform any maintenance.
- Verify that supply voltage is correct by comparing it with the luminaire label information.
- Make all electrical and grounded connections in accordance with the National Electrical Code and any applicable local code requirements.
- All wiring connections should be capped with UL approved wire connectors.

### **CAUTION:**

- Don't replace any accessory to prevent from dropping, electric shock or fire. etc.
- Don't touch the lamp when in use.
- Always switch off the mains supply. 5-10 minutes later to replace the lamp after the used lamp has cooled down.
- Lamps should only be used in a protective shield!

### **CAUTION: RISK OF INJURY**

- Avoid direct eye exposure to the light source while it is on.
- Account for small parts and destroy packing material, as these may be hazardous to children.
- Consult a qualified electrician to ensure correct branch circuit conductor.
- This product must be installed in accordance with the applicable installation code by a person familiar with the construction and operation of the product and the hazards involved.
- IC rated.

### **CAUTION: RISK OF FIRE**

- Keep combustible and other materials that can burn away from luminaire.
- MIN 90°C SUPPLY CONDUCTORS.

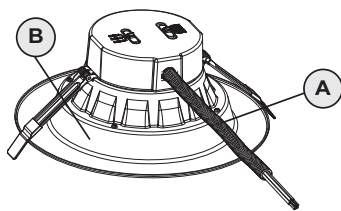
- This equipment has been tested and found to comply with the limits for a Class A digital device, pursuant to part 15 of the FCC Rules. These limits are designed to provide reasonable protection against harmful interference in a residential installation. This equipment generates, uses and can radiate radio frequency energy and, if not installed and used in accordance with the instructions, may cause harmful interference to radio or television reception, which can be determined by turning the equipment off and on. The user is encouraged to try to correct the interference by one or more of the following measures:

- Reorient or relocate the receiving antenna.
- Increase the separation between the equipment and the receiver.
- Connect the equipment into an outlet on a circuit different from that to which the receiver is connected.
- Consult the dealer or an experienced radio/TV technician for help.

**MaxLite® Universal Downlight RCF Series**  
(Wattage & CCT Selectable)



**Package Contents**



Part	Item Name	Qty.
A	Downlight	1
B	Input power conduit lead	1
C	Wire nuts	5

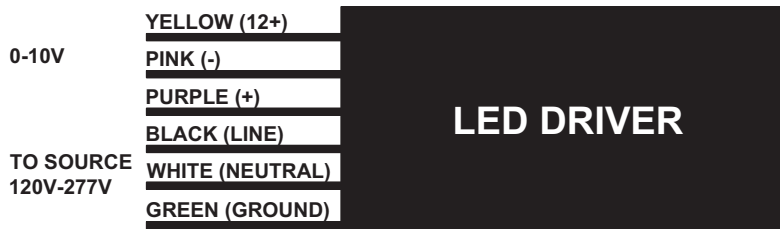


**General Wiring Diagram**

**CAUTION:** Turn off electrical power at fuse or circuit breaker box before wiring fixture to the power supply.

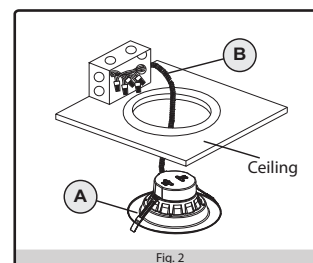
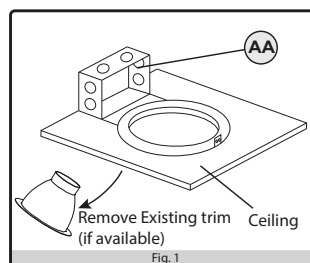
**Input Rating: 120-277V 50/60 Hz**

Black = Line  
White = Neutral  
Green = Ground

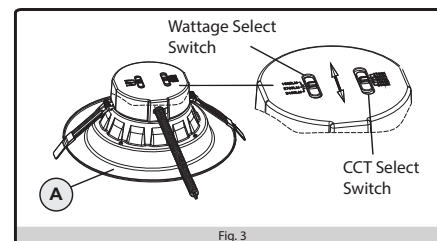


**Retrofit Installation**

1.) Make sure the power is turned off at the source to the recessed housing(s) where the fixture(s) will be installed. Remove the existing trim and bulb from the recessed housing fixture. Open access panel to the conduit junction box (AA). Ensure that at least one conduit knockout is available to make the input power connection.



2.) Extend the input power conduit lead (B) through ceiling and connect conduit fitting to junction box. Attach the safety cable (C) onto a structural point above the plenum. Connect the fixture wires to the supply wires according to diagram above.



**WARNING:** If there is no ground supply wire, stop installation and consult a qualified electrician.

**NOTE:** If a 0-10v dimming system is available, connect the purple and pink wires to the corresponding purple and pink wires in the building dimming system. If no dimming is required, leave the wires unconnected.

3.) Set the desired color temperature (CCT) using the slide switch on the back of the housing. Adjusting the switch will change the CCT to 2700K, 3000K, 3500K, 4000K, 5000K.

**NOTE:** Before proceeding to the next step, please be aware that CCT is set to 4000K by default; if you choose to install the luminaire without adjusting the switch, the CCT will remain at 4000K.

4.) Carefully tuck all wires into junction box and replace the junction box cover panel. Fold up both spring arms and insert the entire fixture up through the ceiling while letting the tension on the spring arms close onto the upper surface of the ceiling panel. Ensure that the fixture is secured to the ceiling before releasing support of the fixture and completing the installation.

**MaxLite® Universal Downlight RCF Series**  
(Wattage & CCT Selectable)



**NN-MGT Sensor Instructions (sold separately)**

**Package Contents:**



NN-MGT

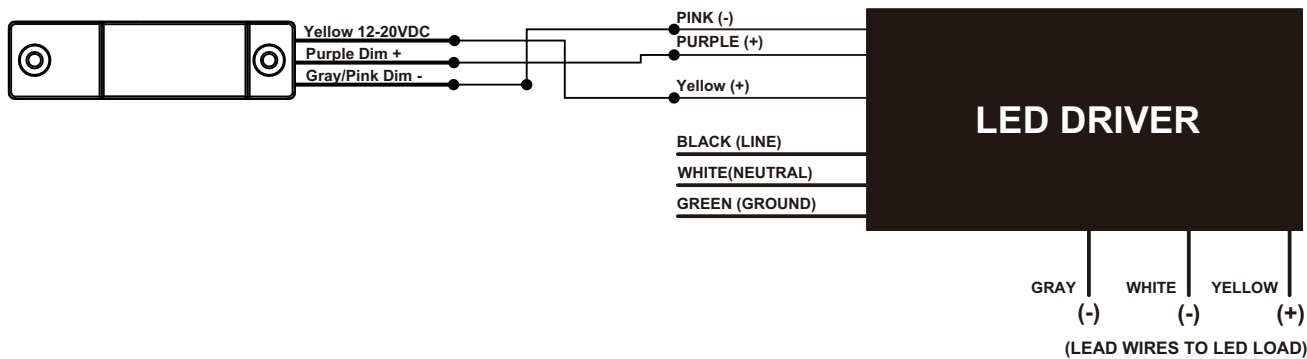


KO Grommet x 1



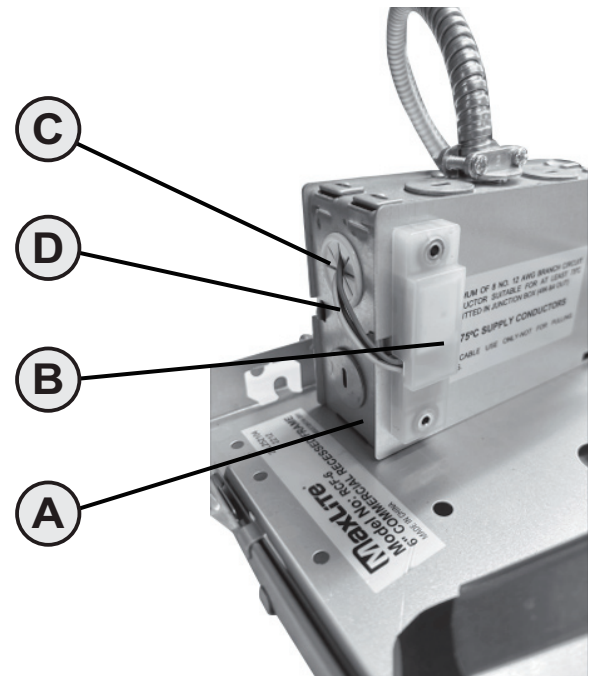
Nuts x 3

**Wiring Diagram**



**Sensor Installation**

- 1.) Make sure the power is turn off at the source to the recessed housing where the sensor will be installed, ensure that at least one conduit knockout is available on the junction box (**A**), and remove the junction box cover plate.
- 2.) Take out the sensor (**B**) and stick it to the junction box aside the appropriate conduit knockout.
- 3.) Install a KO grommet (**C**) to the appropriate conduit knockout, and then have the sensor wires (**D**) pass through the flexible grommet into the junction box. Connect the sensor wire to the fixture's wire according to the wiring diagram above.
- 4.) Carefully tuck all the wires into the junction box and replace the junction box cover plate.



**MaxLite® Universal Downlight RCF Series**  
(Wattage & CCT Selectable)**Warranty Information**

MaxLite Inc. warrants its products for a minimum period of **FIVE (5)** years from the date of original purchase from MaxLite or its authorized distributor/dealer (the "Warranty Period"), as follows: If a Product fails to operate during the Warranty Period as a result of defects in materials or workmanship, MaxLite will, at its option, repair it, replace it with the same or like Product.

Please refer to Maxlite's website (at <http://maxlite.com/resources/warranties>) for the complete terms and conditions of our warranty.

**Limitation of Liability**

THE FOREGOING WARRANTY IS EXCLUSIVE, AND IS THE SOLE REMEDY FOR ANY AND ALL CLAIMS, WHETHER IN CONTRACT, IN TORT OR OTHERWISE ARISING FROM THE FAILURE OF PRODUCT AND IS IN LIEU OF ALL OTHER WARRANTIES, EXPRESS OR IMPLIED, INCLUDING ALL WARRANTIES OF MERCHANTABILITY OR FITNESS FOR A PARTICULAR PURPOSE, WHICH WARRANTIES ARE HEREBY EXPRESSLY DISCLAIMED TO THE EXTENT PERMITTED BY LAW AND, IN ANY EVENT, SHALL BE LIMITED TO THE WARRANTY PERIOD SPECIFIED ABOVE. THE LIABILITY OF MAXLITE SHALL BE LIMITED TO THE TERMS OF THE EXPRESS WARRANTY SET FORTH HEREIN. IN NO EVENT WILL MAXLITE BE LIABLE FOR ANY SPECIAL, INCIDENTAL OR CONSEQUENTIAL DAMAGES INCLUDING, WITHOUT LIMITATION, DAMAGES RESULTING FROM LOSS OF USE, PROFITS, BUSINESS OR GOODWILL, LABOR COSTS, REMOVAL OR INSTALLATION COSTS, DECREASE IN THE LIGHT OUTPUT OF THE LAMP, AND/OR DETERIORATION IN THE LAMP'S PERFORMANCE, WHETHER OR NOT MAXLITE HAS BEEN ADVISED OF THE POSSIBILITY THEREOF. UNDER NO CIRCUMSTANCES SHALL MAXLITE'S ENTIRE LIABILITY FOR A DEFECTIVE PRODUCT EXCEED THE PURCHASE PRICE OF THAT PRODUCT. WARRANTY SERVICES PROVIDED UNDER THESE TERMS AND CONDITIONS DO NOT ENSURE THE UNINTERRUPTED OPERATION OF PRODUCTS; MAXLITE SHALL NOT BE LIABLE FOR DAMAGES CAUSED BY ANY DELAYS INVOLVING WARRANTY SERVICE.

This Limited Warranty gives you specific legal rights and you may also have other rights that may vary from state to state. Because some states or jurisdictions do not allow the exclusion or limitation of liability for consequential or incidental damages, this limitation may not apply to you.