

PROJECT NAME: \_\_\_\_\_ CAT. #: \_\_\_\_\_  
 NOTES: \_\_\_\_\_ FIXTURE SCHEDULE: \_\_\_\_\_

## 6" IC Air-Tight Remodel Housing



### Product Description:

Remodel housing for use in insulated ceilings can be in direct contact with insulation. Air-tight construction provides energy savings by reducing the flow of air through the ceiling. The housing is labeled for use with 6" residential retrofits downlights

### Features:

- IC Air-Tight energy saving by reducing the flow of air through the ceiling
- Rated for direct contact with insulation
- Quick connect provided
- Accommodates 1-1/4" maximum ceiling thickness

### Construction:

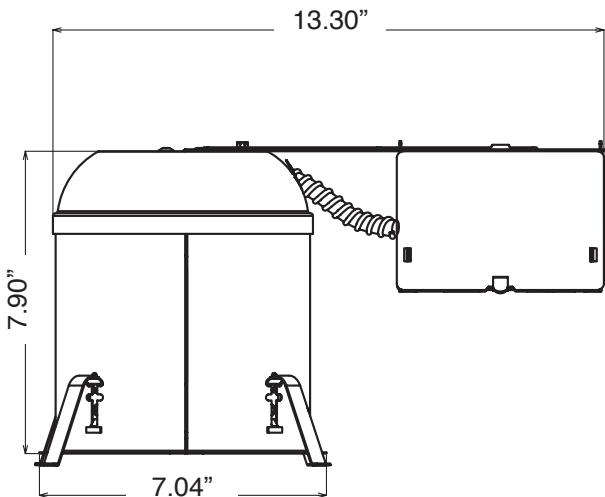
- Steel housing
- Mounting: Four high tension springs secure the housing to an existing sheet rock ceiling. Accommodates ceiling thickness to 1-3/8" (35mm).
- Junction Box: Prewired 15 cubic inch galvanized steel, with five 1/2", two 3/4" knockouts and four Romex® pryouts.
- Electrical grounding automatic when feeding with grounded steel EMT pipe or flex. All leads are #18AWG wire, the ground wire is connected to the bottom, and quick connectors are supplied on all leads.

### Listings:

- 120V Input Wattage
- 75W max. wattage (wattage varies based on trim selection)

### Listings:

- cULus Listed for Damp Location w/ Feed Through. Wet Location when used with designated trims. Meets or exceeds ASTM-283 Air-Tight Requirements



**1-year standard warranty** (further details available at [www.maxlite.com/warranties](http://www.maxlite.com/warranties))  
 Product may be eligible for a warranty extension to 10 years, for an additional fee. Contact MaxLite for details.