

LED STRIP RETROFIT KIT RS SERIES



PRODUCT DESCRIPTION:

Retrofits existing 4' and 8' fluorescent strips and Industrial fixtures to LED in as little as one minute. Industry's fastest LED strip retrofit kit. The universal design fits most 4.25" and 5.25" T8/T12 fluorescent wide strips.

FEATURES:

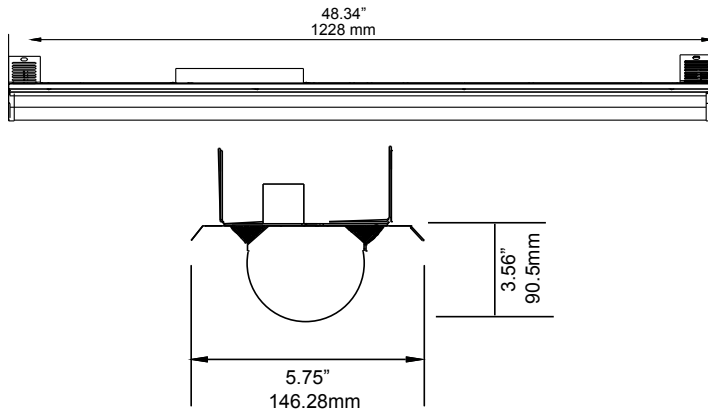
- 2 of the 4' units combine with a simple bracket provided to make 8' units to retrofit 8' T8 fluorescent fixtures.
- Driver efficiency >85%.
- CRI >80
- L70 lumen maintenance of 50,000 hours
- 5 year limited warranty
- 0-10v dimming standard, product dimmable down to 10%
- Universal 120-277V
- Suitable for Damp locations
- Optional motion sensor available

WARRANTY:

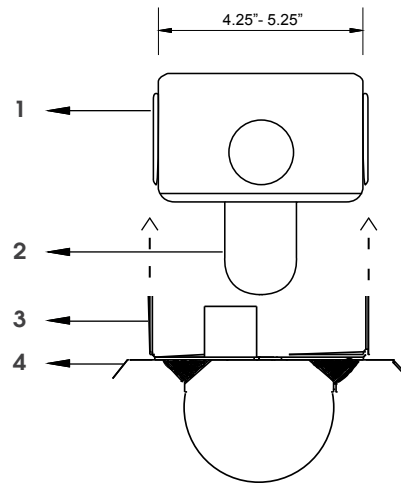
5-year standard warranty*
(see terms at www.maxlite.com/warranties)

*Excludes EM/MS versions; component warranty applies.
*Product may be eligible for warranty extension to 10 years for an additional fee. Limitations apply, contact MaxLite for details.

PRODUCT DIMENSIONS:



MOUNTING DIMENSIONS:



NOTES:

1. Existing housing (not provided)
2. Existing sockets to be removed
3. Adjustable brackets form the retrofit kit. Fits over existing pan
4. Lensed retrofit snaps in place

| MODEL SELECTION (Full list of order codes on pg. 2) | | Typical order example: RS-4835U-50 | | | |
|---|---------|------------------------------------|-------------|------------------------|--|
| RS | 48 | U | | | |
| FAMILY | SIZE | WATTAGE (NOMINAL) | VOLTAGE | CCT | SENSOR |
| RS= Retrofit Strip | 48= 4ft | 35= 35W 46= 46W | U= 120-277V | 40= 4000K 50= 5000K | (OMIT)= None MS= Bi-Level Motion Sensor with Remote Control Capability |

SPECIFICATIONS:


| | | RS-4835U-XX | RS-4846U-XX |
|----------------------------|------------------------|--|-------------|
| ITEM | SPECIFICATION | DETAILS | |
| GENERAL PERFORMANCE | Power Consumption (W) | 32.9 | 46 |
| | Lumens Delivered (lm) | 4,501 | 5,980 |
| | Efficacy (lm/W) | 134 | 130 |
| | CRI | ≥80 | |
| | Color Temperature (K) | 4000K, 5000K | |
| | L70 Lifetime (hours) | 50,000 | |
| | Color Consistency | Proprietary binning for uniform color | |
| ELECTRICAL | Power Factor | 0.9 | |
| | Input Voltage | 120-277V | |
| PHYSICAL | Mounting | Retrofits into current linear fixtures | |
| | Operating Temperature | -20°C to 40°C | |
| | Humidity | 20-85% RH, non-condensing | |
| CERTIFICATION | Certifications | FCC, cULus | |
| | Material Usage | RoHS compliant; no mercury | |
| | Environment | Indoor/Damp | |
| | Warranty | 5 Years | |
| QUALIFICATION | DesignLight Consortium | DLC 4.2 Premium | |


ORDERING*:

| ORDER CODE | MODEL NUMBER | WATTAGE | CCT |
|------------|---------------|---------|-------|
| 1409412 | RS-4835U-50 | 35W | 5000K |
| 1409981 | RS-4835U-50MS | | |
| 1410111 | RS-4846U-50 | 46W | |
| 1410112 | RS-4846U-50MS | | |

*Please contact your MaxLite representative to order products that don't have order codes listed here.

*3500K is a special order only.

| ACCESSORIES | | | |
|-------------|--------------|-------------------------------------|---|
| ORDER CODE | MODEL NUMBER | DESCRIPTION | ACCESSORY IMAGE |
| 108133 | RMHYTHRC-05 | Remote Control for MS Commissioning |  |

| SENSOR | | | | | |
|--------|----------------|----------|---------------------|----------------|---|
| SENSOR | TECHNOLOGY | DIMMING | DAYLIGHT HARVESTING | REMOTE CONTROL | QR CODE |
| MS | High Frequency | Bi-Level | Set Point | Yes |  |