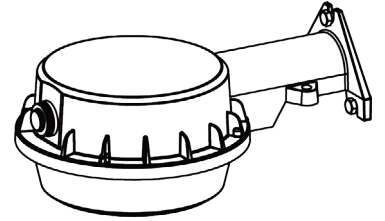


MaxLite® LED Barn Light Fixture

General Safety Information

- To reduce the risk of death, personal injury or property damage from fire, electric shock, falling parts, cuts/abrasions, and other hazards read all warnings and instructions included with and on the fixture box and all fixture labels.
- Before installing, servicing, or performing routine maintenance upon this equipment, follow these general precautions.
- Commercial installation, service and maintenance of luminaires should be performed by a qualified licensed electrician.
- For Residential installation: If you are unsure about the installation or maintenance of the luminaires, consult a qualified licensed electrician and check your local electrical code.
- **DO NOT INSTALL DAMAGED PRODUCT!**
- This fixture is intended to be connected to a properly installed and grounded UL listed junction box.



Picture is for illustration purposes only. Your model may vary.

WARNING: Failure to install and wire fixture in accordance with the National Electrical Codes (NEC); all applicable Federal, State, and Local electrical codes; as well as specific U.L. safety standards for the intended working environment (location/application), may cause serious personal injury, death, and/or property damage. This product must be installed by a person familiar with the construction and operation of the product and the hazards involved.

IMPORTANT NOTE: The safeguards and instructions appearing on this page are not meant to cover all possible conditions and situations that may occur. It may be understood that common sense, caution, and care are factors which cannot be built into any product. The person(s) installing and operating the light fixture must execute these factors.

CAUTION: RISK OF INJURY

To help prevent the possibility of electrical shock, the use of rubber-soled shoes is recommended. Use work gloves when handling the fixture to avoid cuts or abrasions. Account for all parts and destroy packaging material, as these may be hazardous to children.

WARNING: RISK OF FIRE AND ELECTRICAL SHOCK

Most dwellings built before 1985 have supply wires rated 140°F. Consult a qualified electrician before installing. If supply wires are located within 3 inches of the driver, use wires rated at least 194°F. Be sure all connections are properly connected and secure before powering the fixture.

CAUTION: This product cannot be used with a dimmer switch, motion sensor, or remote device. The fixture should be mounted in the horizontal position only with the light source pointing down. The fixture is suggested to be installed about 4' from the ground.

WARNING: RISK OF ELECTRICAL SHOCK

- Turn off the power when you perform any maintenance.
- Verify that supply voltage is correct by comparing it with the luminaire label information.
- Make all electrical and grounded connections in accordance with the National Electrical Code and any applicable local code requirements.
- All wiring connections should be capped with UL approved wire connectors.

CAUTION: RISK OF INJURY

- Wear gloves and safety glasses at all times when removing luminaire from carton, installing, servicing or performing maintenance.
- Avoid direct eye exposure to the light source while it is on.
- Account for small parts and destroy packing material, as these may be hazardous to children.

CAUTION: RISK OF FIRE

- Keep combustible and other materials that can burn away from luminaire and lamp/lens

Models: SBL Series



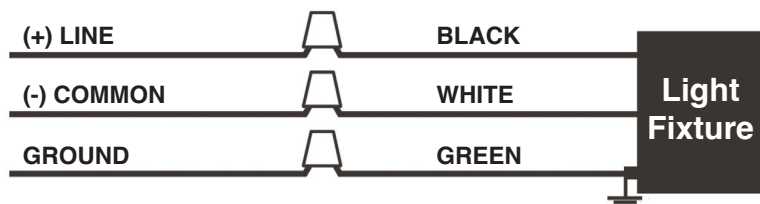
MaxLite® LED Barn Light Fixture

General Wiring Diagram

CAUTION: Turn off electrical power at fuse or circuit breaker box before wiring fixture to the power supply.

Connecting panels to AC source supply: All units must be individually connected to the AC supply.

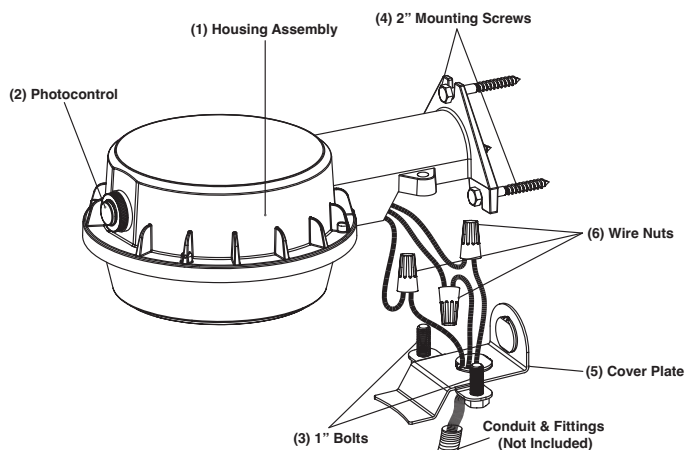
Black / Brown = Line, White = Common, Green = Ground



Assembly Instructions

NOTE: ALWAYS TURN OFF THE POWER SUPPLY FROM THE MAIN CIRCUIT BREAKER FIRST.

Refer to the illustration below for installation.



1. Remove the fixture components and parts pack from the packaging. Check that all parts are included.
2. Using the template on the box, mark the mounting hole locations and drill 3/16" diameter pilot holes. Make sure the mounting surface will be able to support the weight of the light fixture.
3. Install two (2) 2" mounting screws (part 4) in the bottom holes, leaving about 3/8" space under the head.
4. Install the third 2" mounting screw (part 4) into the pre-drilled hole on top and back the screw out. This will leave the hole threaded and make installation easier.
5. Place the fixture housing on the two (2) bottom screws and install the third screw.
6. Tighten the two (2) bottom screws to secure the fixture.
7. For junction box/arm mounting, remove the KO on the back of the cover plate (part 5). For conduit mounting, remove the KO on the bottom of the cover plate and feed the house supply wires through the hole.
NOTE: This fixture is intended for use with conduit, consult, and junction box that are UL listed suitable for wet locations and are properly installed and grounded.
8. Connect Supply and Ground Wires: Use the three (3) wire nuts (part 6) to connect the black fixture wire (line) to the black supply wire, the white fixture wire (neutral) to the white supply wire, and the green fixture wire (ground) to the ground supply wire.
9. Secure the cover plate (part 5) to the housing with two (2) 1" bolts (part 3).
10. Turn on electricity at the fuse or circuit breaker box to verify successful installation.
NOTE: Test the fixture at night or by covering the photocontrol.



MaxLite® LED Barn Light Fixture

Trouble Shooting Guide

Use the guide below to diagnose and correct common issues.

If the light does not come on or stays on:

- Verify that power is turned on at switch and breaker
- Verify that the fixture is wired properly
- Verify that line voltage is correct
- Test to make sure the photocontrol is working properly
 - Cover Photocontrol – Light comes on
 - Shine a light on photocontrol – light goes off
- **If the fixture cycles on and off:**
 - reposition the photocontrol to ensure the light is not reflecting off of any surrounding surfaces back to the unit.

Warranty Information

MaxLite Inc. warrants its products for a minimum period of **THREE (3)** years from the date of original purchase from MaxLite or its authorized distributor/dealer (the “Warranty Period”), as follows: If a Product fails to operate during the Warranty Period as a result of defects in materials or workmanship, MaxLite will, at its option, repair it, replace it with the same or like Product.

Please refer to Maxlite’s website (at <http://maxlite.com/resources/warranties>) for the complete terms and conditions of our warranty.

Limitation of Liability

THE FOREGOING WARRANTY IS EXCLUSIVE, AND IS THE SOLE REMEDY FOR ANY AND ALL CLAIMS, WHETHER IN CONTRACT, IN TORT OR OTHERWISE ARISING FROM THE FAILURE OF PRODUCT AND IS IN LIEU OF ALL OTHER WARRANTIES, EXPRESS OR IMPLIED, INCLUDING ALL WARRANTIES OF MERCHANTABILITY OR FITNESS FOR A PARTICULAR PURPOSE, WHICH WARRANTIES ARE HEREBY EXPRESSLY DISCLAIMED TO THE EXTENT PERMITTED BY LAW AND, IN ANY EVENT, SHALL BE LIMITED TO THE WARRANTY PERIOD SPECIFIED ABOVE. THE LIABILITY OF MAXLITE SHALL BE LIMITED TO THE TERMS OF THE EXPRESS WARRANTY SET FORTH HEREIN. IN NO EVENT WILL MAXLITE BE LIABLE FOR ANY SPECIAL, INCIDENTAL OR CONSEQUENTIAL DAMAGES INCLUDING, WITHOUT LIMITATION, DAMAGES RESULTING FROM LOSS OF USE, PROFITS, BUSINESS OR GOODWILL, LABOR COSTS, REMOVAL OR INSTALLATION COSTS, DECREASE IN THE LIGHT OUTPUT OF THE LAMP, AND/OR DETERIORATION IN THE LAMP’S PERFORMANCE, WHETHER OR NOT MAXLITE HAS BEEN ADVISED OF THE POSSIBILITY THEREOF. UNDER NO CIRCUMSTANCES SHALL MAXLITE’S ENTIRE LIABILITY FOR A DEFECTIVE PRODUCT EXCEED THE PURCHASE PRICE OF THAT PRODUCT. WARRANTY SERVICES PROVIDED UNDER THESE TERMS AND CONDITIONS DO NOT ENSURE THE UNINTERRUPTED OPERATION OF PRODUCTS; MAXLITE SHALL NOT BE LIABLE FOR DAMAGES CAUSED BY ANY DELAYS INVOLVING WARRANTY SERVICE.

This Limited Warranty gives you specific legal rights and you may also have other rights that may vary from state to state. Because some states or jurisdictions do not allow the exclusion or limitation of liability for consequential or incidental damages, this limitation may not apply to you.