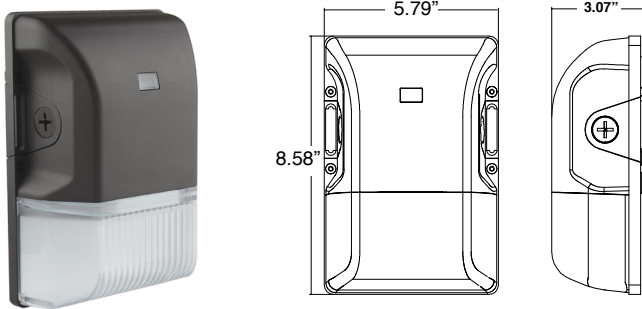


GUARDMAX SLIM PROFILE



PRODUCT DESCRIPTION:

The GuardMax Slim Profile Security Light delivers high quality illumination in a compact form factor ideal for commercial and multi-residential lighting applications. Designed with field selectable CCT technology (4000K/5000K) and a photocell that can be enabled or disabled to user preference, one product replaces four stocking SKUs!



FEATURES:

- Impact resistant lens and cover
- Photocell can be enabled or disabled to user preference

VOLTAGE:

- 120-277V

MOUNTING:

- 1/2" threaded conduit hole available for surface conduit
- Mounts directly to JBOX or wall

CONSTRUCTION:

- Die cast aluminum back plate with a polycarbonate cover
- Frosted polycarbonate lens

LISTINGS:

- cULus listed for Wet Locations, Outdoor
- DLC Premium

WARRANTY:

5-year standard warranty (further details available at www.maxlite.com/warranties) Product may be eligible for a warranty extension to 10 years, for an additional fee. Contact MaxLite for details.

ORDERING STRUCTURE

FAMILY	SIZE	WATTAGE (NOMINAL)	VOLTAGE	CCT	FINISH	OPTIONS
SEC = Security Fixtures	S = Small profile	15 = 15W 20 = 20W 26 = 26W	U = 120-277V	CS = 4000K/5000K CCT Selectable	B = Bronze Contact MaxLite for additional finishes	PC = Photocell

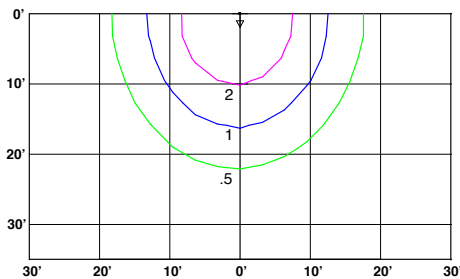
ORDER CODES

ORDER CODES	MODEL NUMBER	DLC PRODUCT ID
103975	SECS15UCSBPC	PLBW0H2K1EIR
103855	SECS20UCSBPC	PLZVYZUM942O
103856	SECS26UCSBPC	PLC2CK5YK5CU

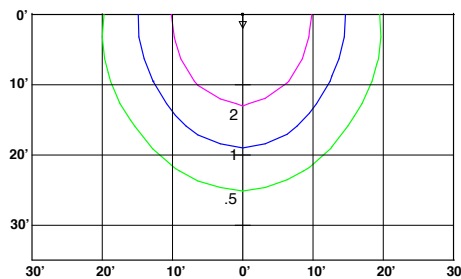
SPECIFICATIONS	SECS15UCBSPC	SECS20UCBSPC	SECS26UCBSPC
SPECIFICATION	DETAILS		
Nominal Wattage (W)	15	20	26
Lumens Delivered (lm)	1900	2520	3320
Equivalency	100W MH	150W MH	175W MH
Efficacy (lm/W)	126	126	124
Beam Angle	100°		
CRI	≥80		
Color Temperature (K)	4000K/5000K		
L70 Lifetime (hrs)	≥50,000 Hrs		
Voltage	120-277V		
Power Factor	≥0.90		
Housing	Die cast aluminum backplate with a polycarbonate cover		
Lens	Frosted polycarbonate lens		
Mounting	Mounts directly to Jbox or wall; ½" threaded conduit hole available for surface conduit		
Operating Temperature	-4°F to 113°F		
Listings	DLC Premium, cULus, FCC, IP66		
Environment	Wet locations, Outdoor		
DesignLight Consortium	DLC Premium		
Warranty	5 Years		

PHOTOMETRIC LAYOUTS*

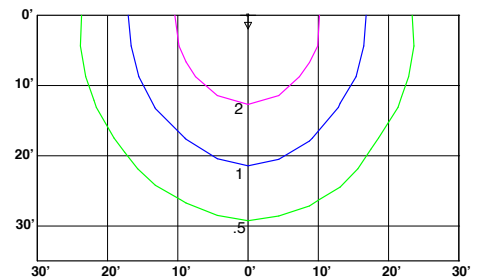
*Units in FC



15W
15' Mounting Height



20W
15' Mounting Height



26W
20' Mounting Height