

PROJECT NAME: _____ CAT. #: _____
 NOTES: _____ FIXTURE SCHEDULE: _____

Slim Flush Mount with Motion Sensor



5.5 inch



7 inch



9 inch



12 inch

Product Description

Elevate your lighting experience with the Slim Flush Mount LED Fixture with motion sensor—designed for optimal performance in general lighting applications across hotels, motels, residential, and commercial spaces. This sleek, low-profile fixture delivers high-quality illumination with exceptional energy efficiency and long-lasting durability. Whether you're upgrading a room or outfitting an entire property, the Slim Flush Mount offers a modern aesthetic and reliable performance that meets the demands of contemporary environments.

Features

- Uniform illumination
- Integrated LED lighting
- ENERGY STAR qualified
- 2700K/3000K/3500K/4000K/5000K CCT Selectable (Default CCT: 3000K)
- 90 CRI
- Meets California Title 24 energy standards
- Can be ceiling or wall mounted
- UL rated for wet locations
- Motion Sensor comes standard (30 seconds timeout)



Available in black or white finish

Model Selection

FAMILY	SIZE	TECHNOLOGY	WATTAGE	CRI	FINISH	CCT SELECTABLE	OPTIONS
SFM = Slim Flush Mount	5.5 = 5.5"	LA = LED Integrated	10 = 10W	9 = 90 CRI	WH = White BK = Black	CS = CCT Selectable: 2700K/3000K/3500K/4000K/5000K	MS = Motion Sensor (Standard)
	7 = 7.0"		14 = 14W				
	9 = 9.5"		18 = 18W				
	12 = 12.0"		22 = 22W				

Slim Flush Mount with Motion Sensor

Stocked Items

ITEM NUMBER	ORDER CODE	DESCRIPTION	ENERGY STAR ID
SFM5.5LA109BKCSMS	113469	SLIM FLUSH MOUNT, 5.5 INCH, 10W, 120V, 90 CRI, BLACK FINISH, CCT SELECTABLE 2700/3000/3500/4000/5000K, BI-LEVEL MOTION SENSOR	4514191
SFM5.5LA109WHCSMS	113470	SLIM FLUSH MOUNT, 5.5 INCH, 10W, 120V, 90 CRI, WHITE FINISH, CCT SELECTABLE 2700/3000/3500/4000/5000K, BI-LEVEL MOTION SENSOR	
SFM7LA149BKCSMS	113471	SLIM FLUSH MOUNT, 7 INCH, 14W, 120V, 90 CRI, BLACK FINISH, CCT SELECTABLE 2700/3000/3500/4000/5000K, BI-LEVEL MOTION SENSOR	4514193
SFM7LA149WHCSMS	113472	SLIM FLUSH MOUNT, 7 INCH, 14W, 120V, 90 CRI, WHITE FINISH, CCT SELECTABLE 2700/3000/3500/4000/5000K, BI-LEVEL MOTION SENSOR	
SFM9LA189BKCSMS	113473	SLIM FLUSH MOUNT, 9 INCH, 18W, 120V, 90 CRI, BLACK FINISH, CCT SELECTABLE 2700/3000/3500/4000/5000K, BI-LEVEL MOTION SENSOR	4514194
SFM9LA189WHCSMS	113474	SLIM FLUSH MOUNT, 9 INCH, 18W, 120V, 90 CRI, WHITE FINISH, CCT SELECTABLE 2700/3000/3500/4000/5000K, BI-LEVEL MOTION SENSOR	
SFM12LA229BKCSMS	113475	SLIM FLUSH MOUNT, 12 INCH, 22W, 120V, 90 CRI, BLACK FINISH, CCT SELECTABLE 2700/3000/3500/4000/5000K, BI-LEVEL MOTION SENSOR	N/A
SFM12LA229WHCSMS	113476	SLIM FLUSH MOUNT, 12 INCH, 22W, 120V, 90 CRI, WHITE FINISH, CCT SELECTABLE 2700/3000/3500/4000/5000K, BI-LEVEL MOTION SENSOR	

Specifications

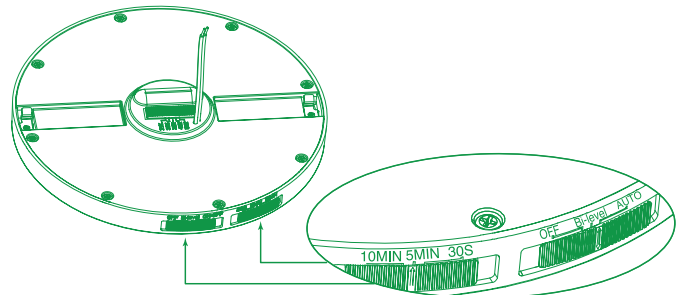
	SFM5.5LA1090xx	SFM7LA1490xx	SFM9LA1890xx	SFM12LA12290xx
Size (Diameter)	5.5"	7.0"	9.0"	12.0"
Input Wattage (W)	10W	14W	18W	22W
Lumens Delivered (lm)	820 lm	1,150 lm	1,480 lm	1,650 lm
Nominal Efficacy (lm/W)	82 lm/W	82 lm/W	82 lm/W	75 lm/W
CRI	>90			
Color Temperature (K)	Selectable - 2700K/ 3000K/ 3500K/ 4000K/ 5000K (Default CCT: 3000K)			
Beam Angle (deg)	110°			
Calculated L70 Lumen Maintenance	50,000 hours			
Power Factor	>0.9			
Input Voltage	120V			
Operating Temperature	-4°F to 122°F (-20°C to 40°C)			
Lens	PMMA - Poly (methyl methacrylate)			
Certifications	UL Listed, ENERGY STAR, Title 24 JAB Compliant, FCC			UL Listed, Title 24 JAB Compliant, FCC
Environment	Indoor, Wet Location			
Warranty	5 Year warranty. Check maxlite.com/warranties for details.			

Sensor Function Tunable Switch

Left (OFF): Turn off sensor function. Time set will be disabled.
(Set Sensor to Off position if using an on/off wall control switch.)

Middle (Bi-level): When less than 65-75Lux, the PIR sensor will operate after detected. 100% output when the PIR sensor is detected, 50% output after 30 seconds or 5 Minutes, or 10 Minutes. (30 Second or 5 Minute level will turn off after the delay time, 10 minute level will continue at half power output.)

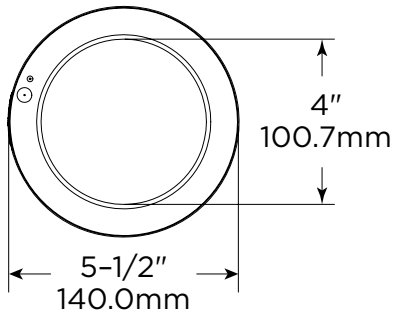
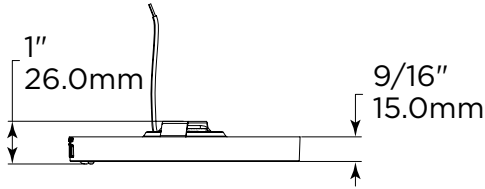
Right (AUTO): Enable sensor and time set the function. Output is at 100% when the PIR sensor is detected. 0% output after 30 Seconds or 5 Minutes.



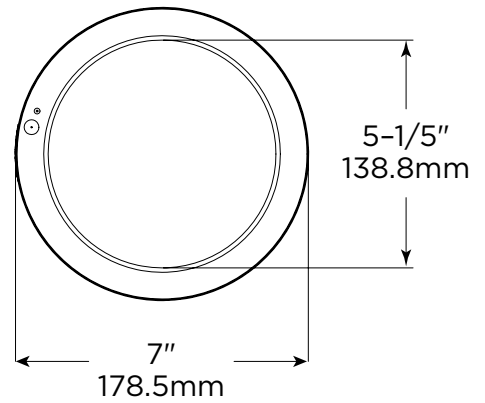
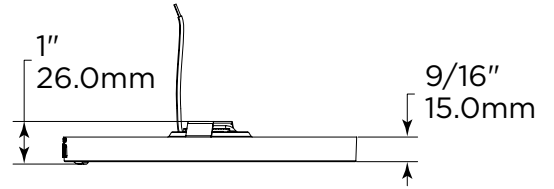
Slim Flush Mount with Motion Sensor

Dimensions

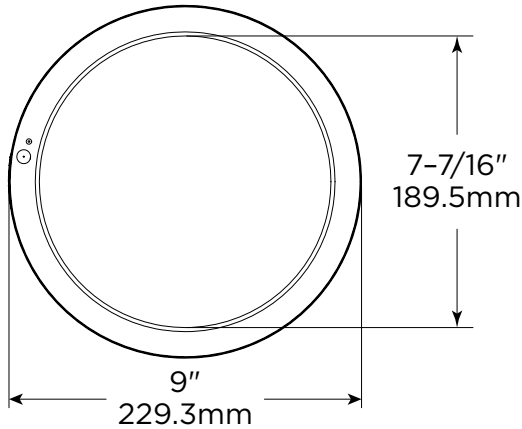
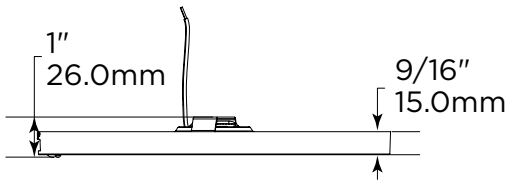
5.5 inch



7.0 inch



9.0 inch



12.0 inch

