

MaxLite® Slim Smooth & Slim Baffle Round Downlight



General Safety Information

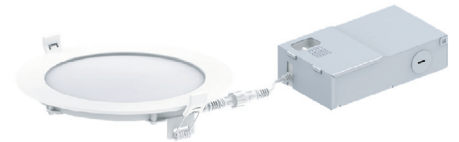
READ CAREFULLY BEFORE INSTALLING FIXTURE. RETAIN THESE INSTRUCTIONS FOR FUTURE REFERENCE.

Fixture must be wired in accordance with National Electrical Code and all applicable local codes. Proper grounding is required for safety. THIS PRODUCT MUST BE INSTALLED IN ACCORDANCE WITH THE APPLICABLE CODE BY A PERSON FAMILAR WITH THE CONSTRUCTION AND OPERATION OF THE PRODUCT AND THE HAZARDS INVOLVED.

TO PREVENT ELECTRICAL SHOCK, POWER SHOULD BE TURNED OFF AT THE FUSE BOX BEFORE INSTALLATION.

SAFETY WARNINGS: Read all product labels and directions.

- **WARNING - Risk of fire or electric shock. Install this kit only in the luminaires that have the construction features and dimensions shown in the photographs and/or drawings and where the input rating of the retrofit kit does not exceed the input rating of the luminaire.**
- **Installation should be performed only by a qualified electrician in accordance with National Electrical Code and relevant local codes. Do not make or alter any open holes in an enclosure of wiring or electrical components during kit installation.**
- **WARNING - To prevent wiring damage or abrasion, do not expose wiring to edges of sheet metal or other sharp objects.**
- **INSTALLATION SHOULD ONLY BE PERFORMED AFTER POWER TO THE FIXTURE HAS BEEN DISCONNECTED.**
- **These instructions shall be included on an information sheet packaged with each unit.**
- **This device complies with Part 15 of the FCC Rules. Operation is subject to the following two conditions: (1) this device may not cause harmful interference, and (2) this device must accept any interference received, including interference that may cause undesired operation.**



Slim Smooth Downlight

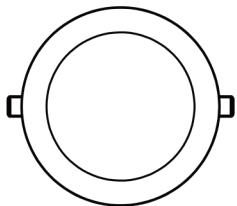


Slim Baffle Downlight

Pictures are for illustration purposes only. Your model may vary.

Models:
SSRD & SBRD SERIES
 120V Triac dimming
 60Hz

What's in the Box



Fixture (1)



Driver box (1)



Template (1)

What's in the Box

This downlight requires very few tools for installation. A screwdriver and a pair of wirecutters will help during the installation process.



MaxLite® Slim Smooth & Slim Baffle Round Downlight

Installation Instructions

- 1.) Turn power OFF from the electrical panel before installation.
- 2.) Use template inside box to cut hole in ceiling. (Figure 1)

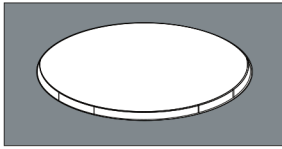


Fig. 1

- 3.) Open the driver box and remove the knockout(s). (Figure 2)

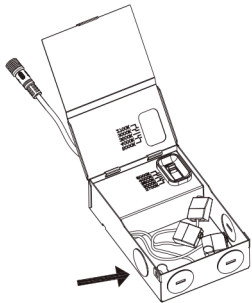


Fig. 2

- 4.) Insert the electrical supply cable through the knockout and secure with a terminal. Wire driver box (Figure 3), white-white, black - black, green - green/ground.

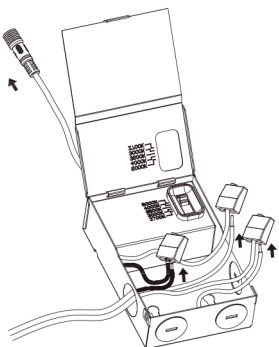


Fig. 3

- 5.) Place all wiring and connections back into the box, close the cover and select desired CCT. (Figure 4)

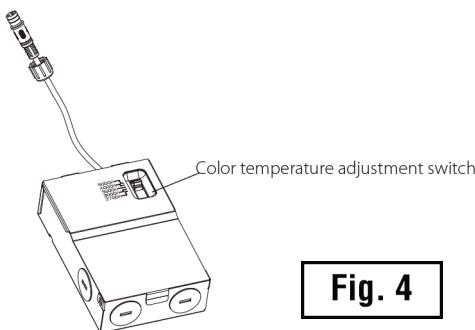


Fig. 4

- 6.) Place the driver box into the ceiling and connect the fixture to driver box. (Figure 5)

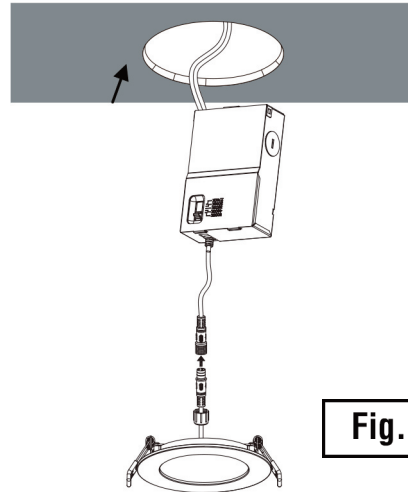


Fig. 5

- 7.) Lifting both retention tabs upward. Push until the trim sits flush against the ceiling. (Figure 6)

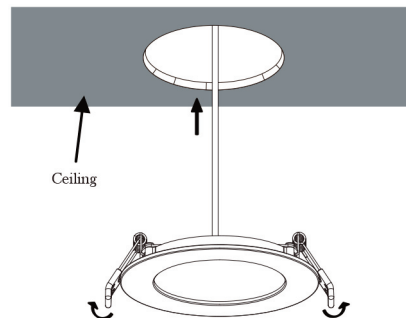


Fig. 6



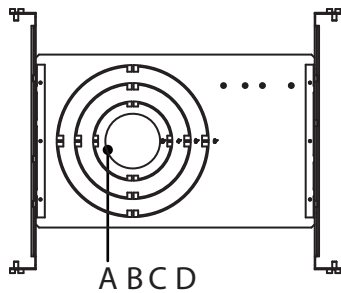
MaxLite® Slim Smooth & Slim Baffle Round Downlight

Framing kit Installation Instruction (New Construction)

WARNINGS:

- Read all the product labels and instructions before installing fixture.
- Wear safety gloves and other appropriate safety equipment.

Framing Kit Model #: SD-UNVTEMPLATE-2 (Sold Separately)



Circular Knockout (CKO) Instructions

- A: Ø3"
- B: Ø4-5/16"
- C: Ø6-5/16"
- D: Ø8-5/16"

Installation Instructions

1.) Use cutting pliers to remove any CKO sections necessary to install the downlight. (Fig. 1)

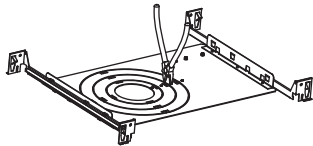


Fig. 1

2.) Place the plate on top of the T-Grid tile where the downlight will be installed. Knock the brackets to the sides of T-Grid. (Fig. 2)

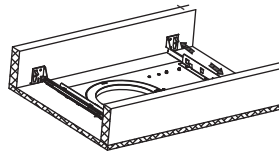


Fig. 2

3.) Once the plate is attached to the T-Grid, cut a hole in the tile following the inside of the selected CKO and Follow appropriate downlight installation instruction to complete the installation. (Fig. 3)

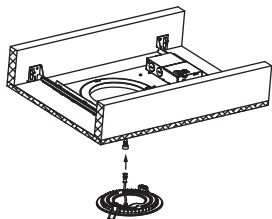


Fig. 3

MaxLite® Slim Smooth & Slim Baffle Round Downlight



Warranty Information

MaxLite Inc. warrants its products for a minimum period of **FIVE (5)** years from the date of original purchase from MaxLite or its authorized distributor/dealer (the "Warranty Period"), as follows: If a Product fails to operate during the Warranty Period as a result of defects in materials or workmanship, MaxLite will, at its option, repair it, replace it with the same or like Product.

Please refer to Maxlite's website (at <http://maxlite.com/resources/warranties>) for the complete terms and conditions of our warranty.

Limitation of Liability

THE FOREGOING WARRANTY IS EXCLUSIVE, AND IS THE SOLE REMEDY FOR ANY AND ALL CLAIMS, WHETHER IN CONTRACT, IN TORT OR OTHERWISE ARISING FROM THE FAILURE OF PRODUCT AND IS IN LIEU OF ALL OTHER WARRANTIES, EXPRESS OR IMPLIED, INCLUDING ALL WARRANTIES OF MERCHANTABILITY OR FITNESS FOR A PARTICULAR PURPOSE, WHICH WARRANTIES ARE HEREBY EXPRESSLY DISCLAIMED TO THE EXTENT PERMITTED BY LAW AND, IN ANY EVENT, SHALL BE LIMITED TO THE WARRANTY PERIOD SPECIFIED ABOVE. THE LIABILITY OF MAXLITE SHALL BE LIMITED TO THE TERMS OF THE EXPRESS WARRANTY SET FORTH HEREIN. IN NO EVENT WILL MAXLITE BE LIABLE FOR ANY SPECIAL, INCIDENTAL OR CONSEQUENTIAL DAMAGES INCLUDING, WITHOUT LIMITATION, DAMAGES RESULTING FROM LOSS OF USE, PROFITS, BUSINESS OR GOODWILL, LABOR COSTS, REMOVAL OR INSTALLATION COSTS, DECREASE IN THE LIGHT OUTPUT OF THE LAMP, AND/OR DETERIORATION IN THE LAMP'S PERFORMANCE, WHETHER OR NOT MAXLITE HAS BEEN ADVISED OF THE POSSIBILITY THEREOF. UNDER NO CIRCUMSTANCES SHALL MAXLITE'S ENTIRE LIABILITY FOR A DEFECTIVE PRODUCT EXCEED THE PURCHASE PRICE OF THAT PRODUCT. WARRANTY SERVICES PROVIDED UNDER THESE TERMS AND CONDITIONS DO NOT ENSURE THE UNINTERRUPTED OPERATION OF PRODUCTS; MAXLITE SHALL NOT BE LIABLE FOR DAMAGES CAUSED BY ANY DELAYS INVOLVING WARRANTY SERVICE.

This Limited Warranty gives you specific legal rights and you may also have other rights that may vary from state to state. Because some states or jurisdictions do not allow the exclusion or limitation of liability for consequential or incidental damages, this limitation may not apply to you.