

MaxLite® LED TROFFER RETROFIT KIT (2x2 & 2x4)



General Safety Information

- To reduce the risk of death, personal injury or property damage from fire, electric shock, falling parts, cuts/abrasions, and other hazards read all warnings and instructions included with and on the fixture box and all fixture labels.
- Before installing, servicing, or performing routine maintenance upon this equipment, follow these general precautions.
- Commercial installation, service and maintenance of luminaires should be performed by a qualified licensed electrician.
- For Residential installation: If you are unsure about the installation or maintenance of the luminaires, consult a qualified licensed electrician and check your local electrical code.
- DO NOT INSTALL DAMAGED PRODUCT!
- This fixture is intended to be connected to a properly installed and grounded UL Listed troffer housing.



Picture is for illustration purposes only. Your model may vary and may not be identical to the fixture purchased.

WARNING: RISK OF FIRE OR ELECTRIC SHOCK

- Turn off electrical power at fuse or circuit breaker box before wiring fixture to the power supply.
- Turn off the power when you perform any maintenance.
- Verify that supply voltage is correct by comparing it with the luminaire label information.
- Make all electrical and grounded connections in accordance with the National Electrical Code and any applicable local code requirements.
- All wiring connections should be capped with UL approved wire connectors.
- Install this kit only in luminaires that have the construction features and dimensions shown in the photographs and/or drawings and where the input rating of the retrofit kit does not exceed the input rating of the luminaire.
- Do not make or alter any open holes in an enclosure of wiring or electrical components during kit installation.
- To prevent wiring damage or abrasion, do not expose wiring to edges of sheet metal or other sharp objects.

CAUTION: RISK OF INJURY

- Wear gloves and safety glasses at all times when removing luminaire from carton, installing, servicing or performing maintenance.
- Avoid direct eye exposure to the light source while it is on.
- Account for small parts and destroy packing material, as these may be hazardous to children.

CAUTION: RISK OF FIRE

- Keep combustible and other materials that can burn away from luminaire and lamp/lens.
- MIN 90°C SUPPLY CONDUCTORS.

Operating characteristic:

Voltage input: 120/277V 50/60 Hz

Operating temp: -40°F to 104°F

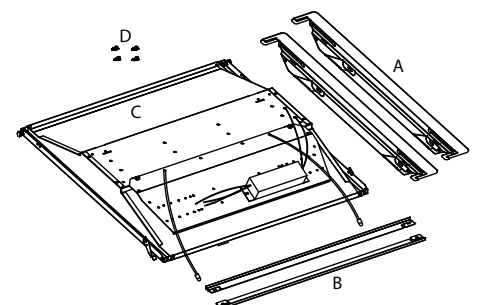
Compatible Housing:

2' x 2' - 24.02" (610 mm) by 23.94" (608 mm) by 3.07" (78 mm) high

2' x 4' - 48.03" (1220 mm) by 23.94" (608 mm) by 3.07" (78 mm) high

Models: TRK Series

- Parts:
- A: End Plates - 2pcs
 - B: Side Plates - 2pcs
 - C: Door Assembly Body - 1pc
 - D: Self-tapping Screws - 4pcs



MaxLite® LED TROFFER RETROFIT KIT (2x2 & 2x4)

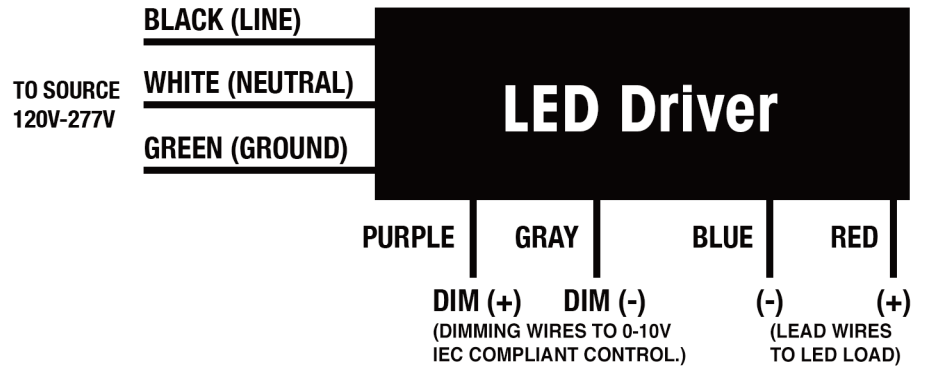


General Wiring Diagram

CAUTION: Turn off electrical power at fuse or circuit breaker box before wiring fixture to the power supply.

Connecting panels to AC source supply:
All units must be individually connected to the AC supply. (120-277 VAC)

- Black = Line
- White = Neutral
- Green = Ground



MaxLite® LED TROFFER RETROFIT KIT (2x2 & 2x4)



Installation & Operation

1. Prior to installation, disconnect all incoming power to fixture. Remove existing hardware (lens/lens frame, parabolic louver, reflectors/ballast covers, brackets, lamps/lamp holders). Leave supply and grounding leads. (Fig.1)

NOTE: Follow all federal and local regulations when disposing of lamps and removed components.

2. Install LED panel end brackets to each end of the fixture by gently lifting recessed fixture and placing LED panel end brackets between the fixture and T-grid. Secure the LED panel brackets to the fixture using the provided #8x1/2" self-drilling screws. There are two hole sets to allow for clearing fixture features that may obstruct the screws. Locate the wire terminals on the LED board on the end of the light engine panel that has the wire. (Fig.2)
3. Install LED panel side brackets between the fixture and T-grid, if you are uncomfortable with the gap between the fixture and T-grid, There are two tabs to allow for placing the side brackets into the slot of end brackets. (Fig.3)
4. Apply re-lamping label "THIS LUMINAIRE HAS BEEN MODIFIED FROM ITS ORIGINAL CONFIGURATION. THIS LUMINAIRE WILL NO LONGER ACCEPT THE ORIGINAL LAMPS STATED ON THE PRODUCT LABEL." to the surface of the fixture.
5. Locate the door assembly body onto the keyholes of end brackets, then slide the door assembly body horizontally to the end of slots. (Fig.4)
6. Pass grommet. Connect red driver lead to the red board lead from the positive terminal, and the blue driver lead to the blue lead from the board negative terminal. Hook the safety cables into the holes positioned the end brackets. (Fig.5)
7. Secure the door assembly body by lock the latches riveted on each end of the assembled door frame. (Fig.6)

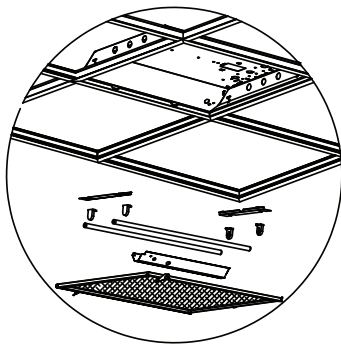


Fig. 1

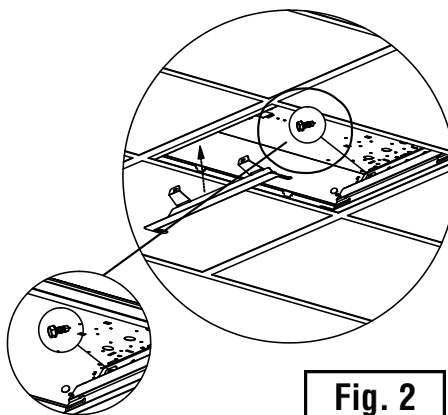


Fig. 2

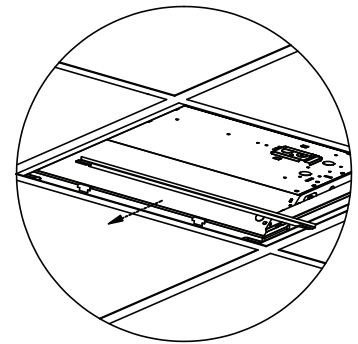


Fig. 3

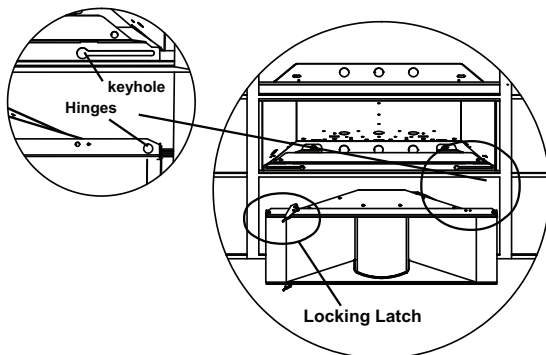


Fig. 4

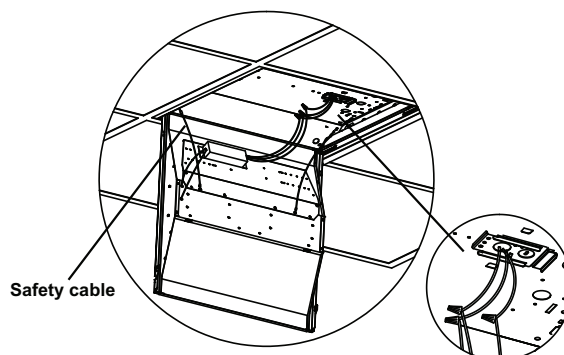


Fig. 5

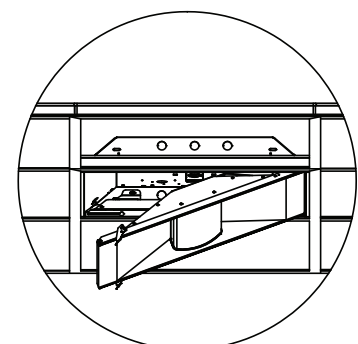


Fig. 6

MaxLite® LED TROFFER RETROFIT KIT (2x2 & 2x4)**Warranty Information**

MaxLite Inc. warrants its products for a minimum period of **FIVE (5)** years from the date of original purchase from MaxLite or its authorized distributor/dealer (the "Warranty Period"), as follows: If a Product fails to operate during the Warranty Period as a result of defects in materials or workmanship, MaxLite will, at its option, repair it, replace it with the same or like Product.

Please refer to Maxlite's website (at <http://maxlite.com/resources/warranties>) for the complete terms and conditions of our warranty.

Limitation of Liability

THE FOREGOING WARRANTY IS EXCLUSIVE, AND IS THE SOLE REMEDY FOR ANY AND ALL CLAIMS, WHETHER IN CONTRACT, IN TORT OR OTHERWISE ARISING FROM THE FAILURE OF PRODUCT AND IS IN LIEU OF ALL OTHER WARRANTIES, EXPRESS OR IMPLIED, INCLUDING ALL WARRANTIES OF MERCHANTABILITY OR FITNESS FOR A PARTICULAR PURPOSE, WHICH WARRANTIES ARE HEREBY EXPRESSLY DISCLAIMED TO THE EXTENT PERMITTED BY LAW AND, IN ANY EVENT, SHALL BE LIMITED TO THE WARRANTY PERIOD SPECIFIED ABOVE. THE LIABILITY OF MAXLITE SHALL BE LIMITED TO THE TERMS OF THE EXPRESS WARRANTY SET FORTH HEREIN. IN NO EVENT WILL MAXLITE BE LIABLE FOR ANY SPECIAL, INCIDENTAL OR CONSEQUENTIAL DAMAGES INCLUDING, WITHOUT LIMITATION, DAMAGES RESULTING FROM LOSS OF USE, PROFITS, BUSINESS OR GOODWILL, LABOR COSTS, REMOVAL OR INSTALLATION COSTS, DECREASE IN THE LIGHT OUTPUT OF THE LAMP, AND/OR DETERIORATION IN THE LAMP'S PERFORMANCE, WHETHER OR NOT MAXLITE HAS BEEN ADVISED OF THE POSSIBILITY THEREOF. UNDER NO CIRCUMSTANCES SHALL MAXLITE'S ENTIRE LIABILITY FOR A DEFECTIVE PRODUCT EXCEED THE PURCHASE PRICE OF THAT PRODUCT. WARRANTY SERVICES PROVIDED UNDER THESE TERMS AND CONDITIONS DO NOT ENSURE THE UNINTERRUPTED OPERATION OF PRODUCTS; MAXLITE SHALL NOT BE LIABLE FOR DAMAGES CAUSED BY ANY DELAYS INVOLVING WARRANTY SERVICE.

This Limited Warranty gives you specific legal rights and you may also have other rights that may vary from state to state. Because some states or jurisdictions do not allow the exclusion or limitation of liability for consequential or incidental damages, this limitation may not apply to you.