

MaxLite® LED Troffer Retrofit Kit (1x4, 2x2 & 2x4)



General Safety Information

- To reduce the risk of death, personal injury or property damage from fire, cuts/abrasions, and other hazards read all warnings and instructions included with and on the fixture box and all fixture labels.
- Before installing, servicing, or performing routine maintenance upon this equipment, follow these general precautions.
- Commercial installation, service and maintenance of luminaires should be performed by a qualified licensed electrician.
- For Residential installation: If you are unsure about the installation or maintenance of the luminaires, consult a qualified licensed electrician and check your local electrical code.
- DO NOT INSTALL DAMAGED PRODUCT!
- This fixture is intended to be connected to a properly installed and grounded UL Listed troffer housing.



Picture is for illustration purposes only. Your model may vary and may not be identical to the fixture purchased.

WARNING: RISK OF FIRE OR ELECTRIC SHOCK

- Turn off electrical power at fuse or circuit breaker box before wiring fixture to the power supply.
- Turn off the power when you perform any maintenance.
- Verify that supply voltage is correct by comparing it with the luminaire label information.
- Make all electrical and grounded connections in accordance with the National Electrical Code and any applicable local code requirements.
- All wiring connections should be capped with UL approved wire connectors.
- Install this kit only in luminaires that have the construction features and dimensions shown in the photographs and/or drawings and where the input rating of the retrofit kit does not exceed the input rating of the luminaire.
- Only those open holes indicated in the photographs and/or drawings may be made or altered as a result of kit installation. Do not leave any other open holes in an enclosure of wiring or electrical components.
- To prevent wiring damage or abrasion, do not expose wiring to edges of sheet metal or other sharp objects.
- The electrical rating of these products are 120-277 Vac, the installer must determine whether they have 120-277 V at the luminaire before installation.
- LED Retrofit Kit installation requires knowledge of luminaires electrical systems. If not qualified, do not attempt installation. Contact a qualified electrician.
- Luminaire wiring and electrical parts may be damaged when drilling for installation of LED retrofit kit. Check for enclosed wiring and components.

CAUTION: RISK OF INJURY

- Wear gloves and safety glasses at all times when removing luminaire from carton, installing, servicing or performing maintenance.
- Avoid direct eye exposure to the light source while it is on.
- Account for small parts and destroy packing material, as these may be hazardous to children.

CAUTION: RISK OF FIRE

- Keep combustible and other materials that can burn away from luminaire and lamp/lens.
- MIN 90°C SUPPLY CONDUCTORS.

Operating characteristic:

Voltage input: 120/277V 50/60 Hz

Operating temp: -40°F to 104°F

Compatible Housing:

1' x 4' - 48.03" (1220 mm) by 11.88" (302 mm) by 3.07" (78 mm) high

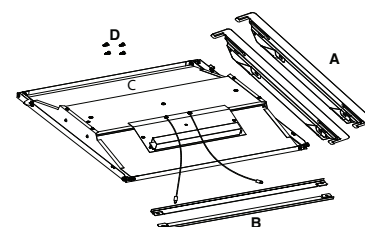
2' x 2' - 24.02" (610 mm) by 23.94" (608 mm) by 3.07" (78 mm) high

2' x 4' - 48.03" (1220 mm) by 23.94" (608 mm) by 3.07" (78 mm) high

Models: TRK Series

Included in the box:

- A: End Plates - 2pcs
- B: Side Plates - 2pcs
- C: Door Assembly Body - 1pc
- D: Self-tapping Screws - 4pcs



MaxLite® LED Troffer Retrofit Kit (1x4, 2x2 & 2x4)



Setting Wattage & Color Temperature

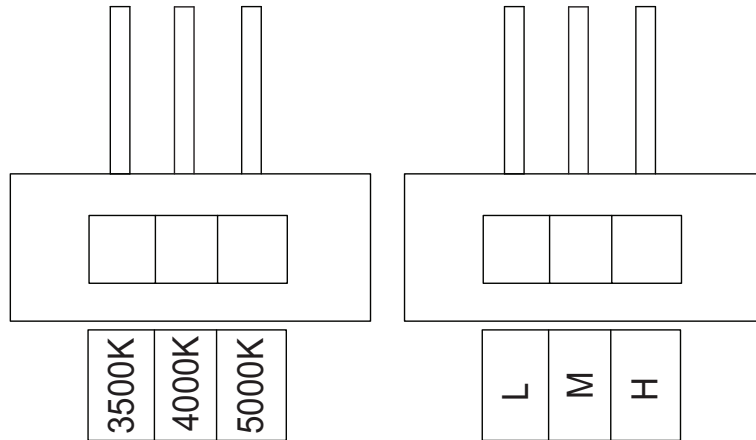
Note: Applicable to models ending in WCS only. Models are set to lowest wattage and 4000K.

Color settings:

Left, stands for 3500K;
 Middle, stands for 4000K;
 Right, stands for 5000K;

Wattage settings:

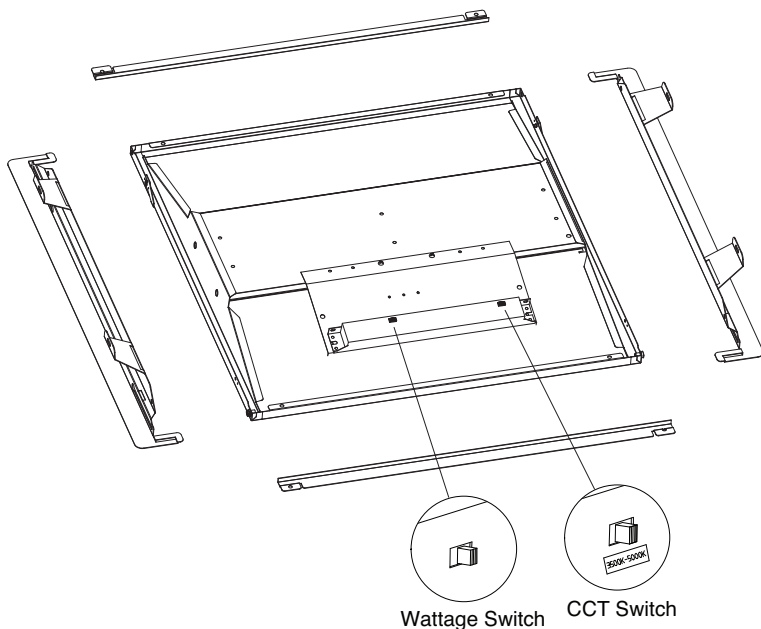
Left, stands for Low;
 Middle, stands for Medium;
 Right, stands for High;



Adjust the color temperature and lumen output respectively by using the two DIP switches. Each DIP switch is accommodated with 3 options (left, middle and right), corresponding to 3 color temperatures and 3 power options respectively. Use these to select the desired color temperature and lumen output combination.

Factory Settings: Lowest Wattage/ 4000K

1. DIP switches are located onto the side of the fixture.
2. Select a wattage and color temperature by sliding switch left or right to the desired value.



MaxLite® LED Troffer Retrofit Kit (1x4, 2x2 & 2x4)

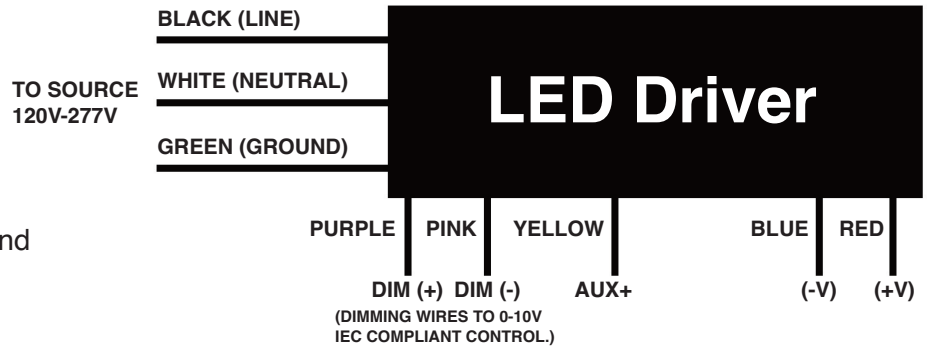


General Wiring Diagram

CAUTION: Turn off electrical power at fuse or circuit breaker box before wiring fixture to the power supply.

Connecting panels to AC source supply:
All units must be individually connected to the AC supply. (120-277 VAC)

Black = Line, White = Neutral, Green = Ground



Installation & Operation

1. Prior to installation, disconnect all incoming power to the luminaire. Remove the existing hardware (lens/lens frame or parabolic louver, reflectors/ballast covers, brackets, lamps/lamp holders, etc.). Leave the supply and grounding leads in place. (See **Fig. 1**) **NOTE:** Follow all federal and local regulations when disposing of lamps and removed components.
2. Install the two (2) end plates to each end of the existing luminaire by placing them between the fixture and T-grid. Secure them with four (4) self-tapping screws. (See **Fig. 2, Fig. 2A**)
3. If needed, install the side plates between the fixture and T-grid, there are two tabs to allow for placing the side brackets into the slot of the end plates. (See **Fig. 3**)
4. Place the hinges of the retrofit luminaire body into the keyholes of the end plates, slide the luminaire body horizontally to the end of the slots. (See **Fig. 4, Fig. 4A**).
5. Hook the safety cables into the holes on the end plates, and use the provided wire nuts to connect the wire leads of the troffer kits to the main power leads (Black-Live, White-Neutral, Green-Grounding). (See **Fig. 5, Fig. 5A**)
6. Push the retrofit troffer up into place and secure it with the locking latches on each end of the luminaire body. (See **Fig. 6**)

Figure 1

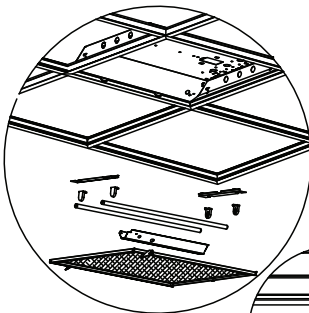


Figure 2

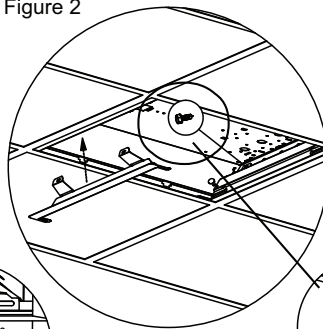


Figure 3

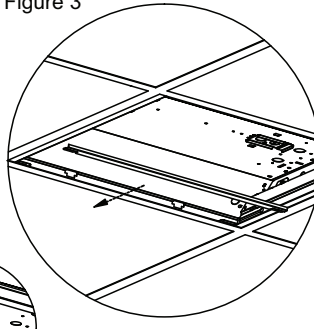


Figure 4

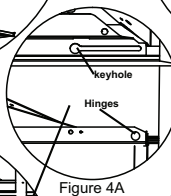
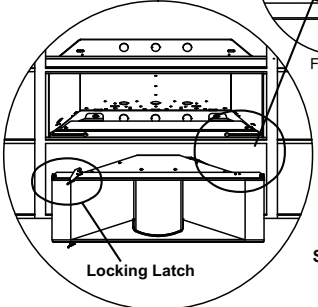


Figure 5

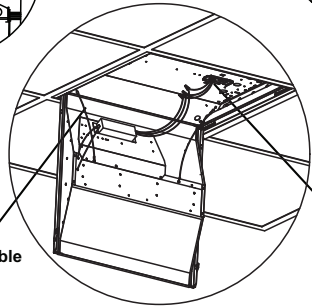
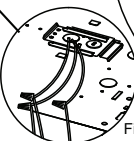
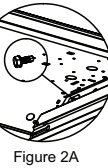
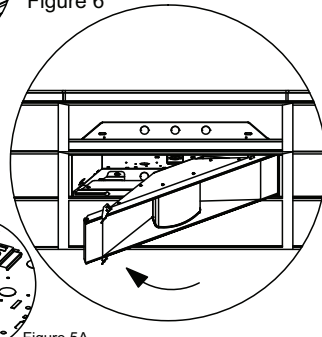


Figure 6





MaxLite® LED Troffer Retrofit Kit (1x4, 2x2 & 2x4)

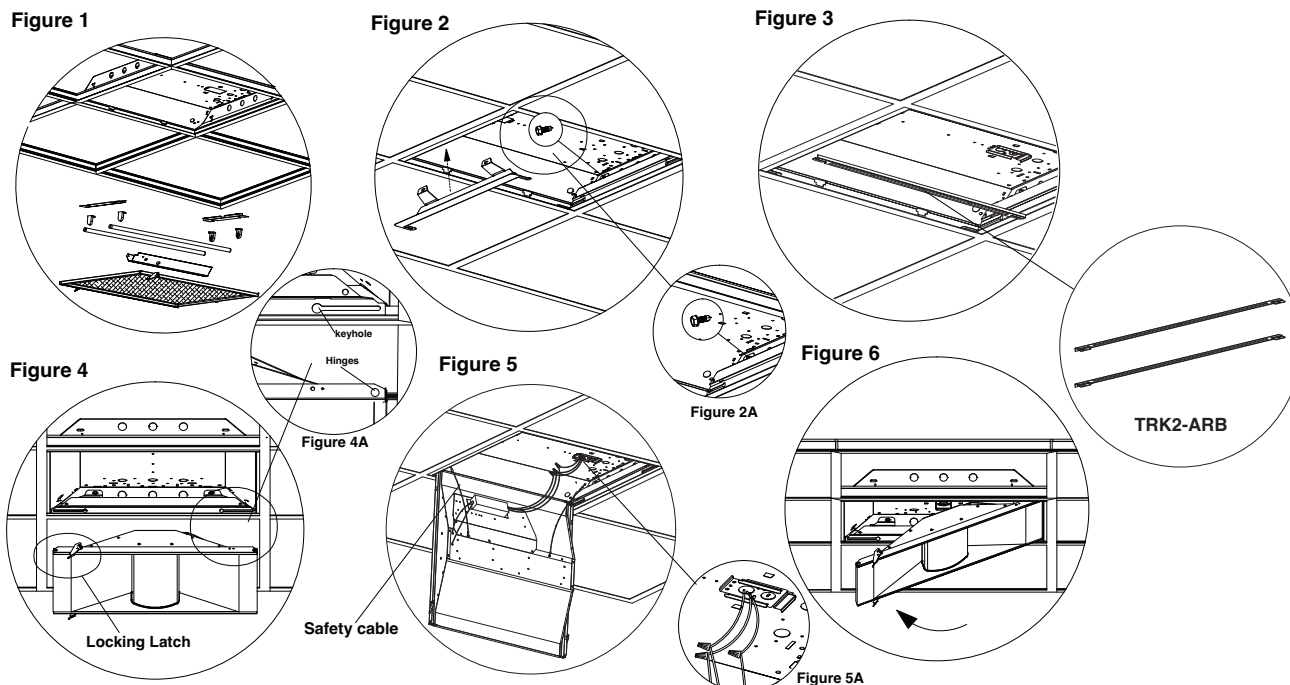
Air Return Bracket Installation Instructions

Housing Compatibility

The existing fluorescent luminaire housing must be larger than the dimensions in the table below.

Housing Designation	Overall inner Dimensions
2' x 2'	610mm x 608mm x 78mm High
2' x 4'	1220mm x 608mm x 78mm High

Installation & Operation



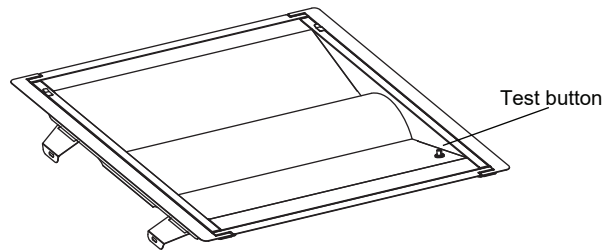
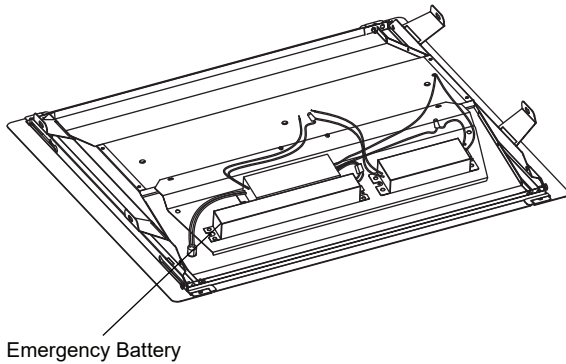
1. Prior to installation, disconnect all incoming power to the luminaire. Remove the existing hardware (lens/lens frame or parabolic louver, reflectors/ballast covers, brackets, lamps/lamp holders, etc.). Leave the supply and grounding leads in place. (See Fig. 1) **NOTE:** Follow all federal and local regulations when disposing of lamps and removed components.
2. Install the two (2) end plates to each end of the existing luminaire by placing them between the fixture and T-grid. Secure them with four (4) self-tapping screws. (See Fig. 2, Fig. 2A)
3. Install the air return side plates between the fixture and T-grid, there are two tabs to allow for placing the side brackets into the slot of the end plates. (See Fig. 3)
4. Place the hinges of the retrofit luminaire body into the keyholes of the end plates, slide the luminaire body horizontally to the end of the slots. (See Fig. 4, Fig. 4A).
5. Hook the safety cables into the holes on the end plates, and use the provided wire nuts to connect the wire leads of the troffer kits to the main power leads (Black-Live, White-Neutral, Green-Grounding). (See Fig. 5, Fig. 5A)
6. Push the retrofit troffer up into place and secure it with the locking latches on each end of the luminaire body. (See Fig. 6)



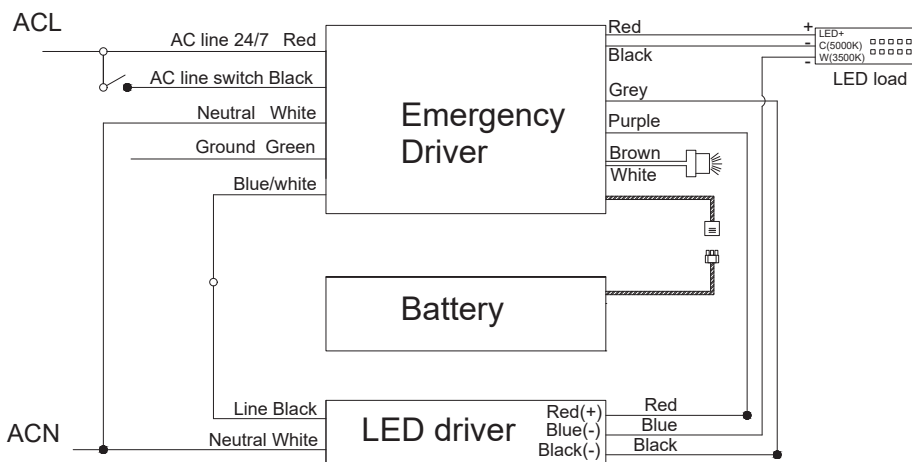
MaxLite® LED Troffer Retrofit Kit (1x4, 2x2 & 2x4)

Additional Accessories

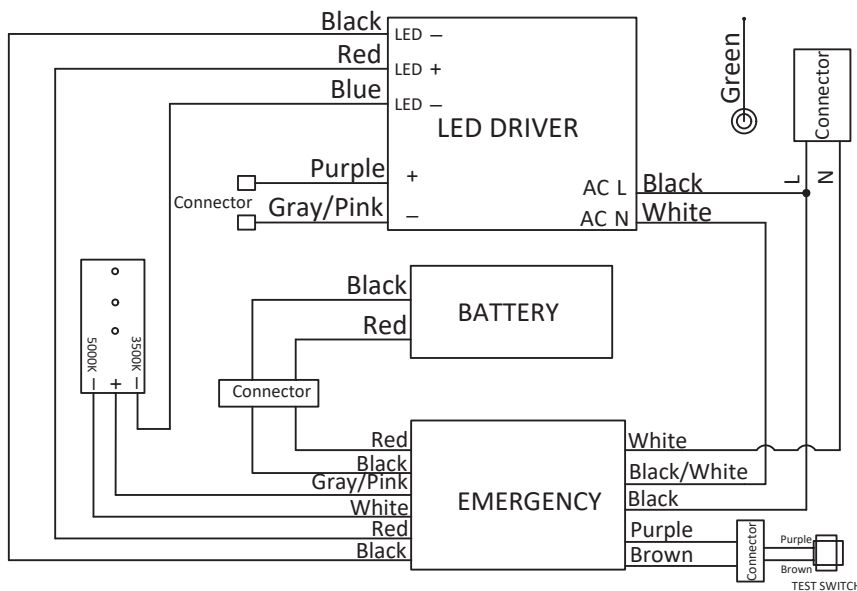
Emergency Battery Back-up:



EM Version Wiring:



E2 Version Wiring:





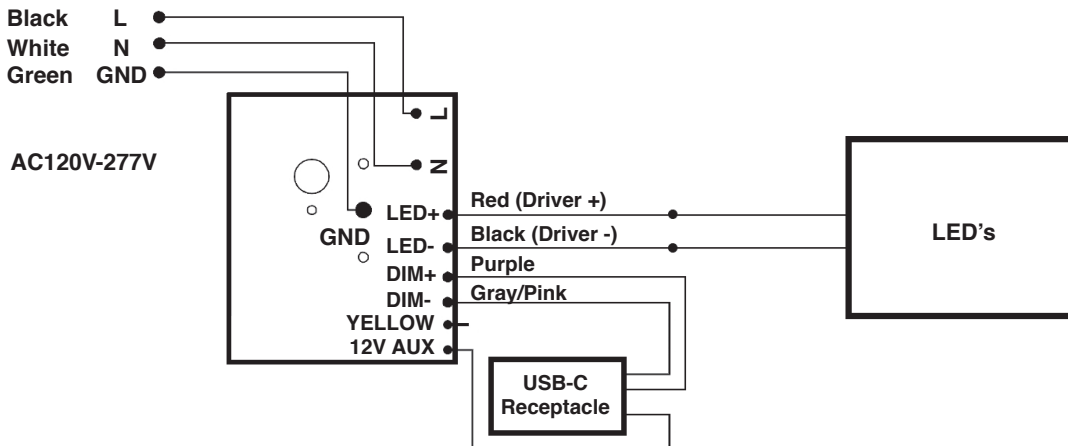
MaxLite® LED Troffer Retrofit Kit (1x4, 2x2 & 2x4)

Controls Ready (CR) Model Standard Wiring Diagram



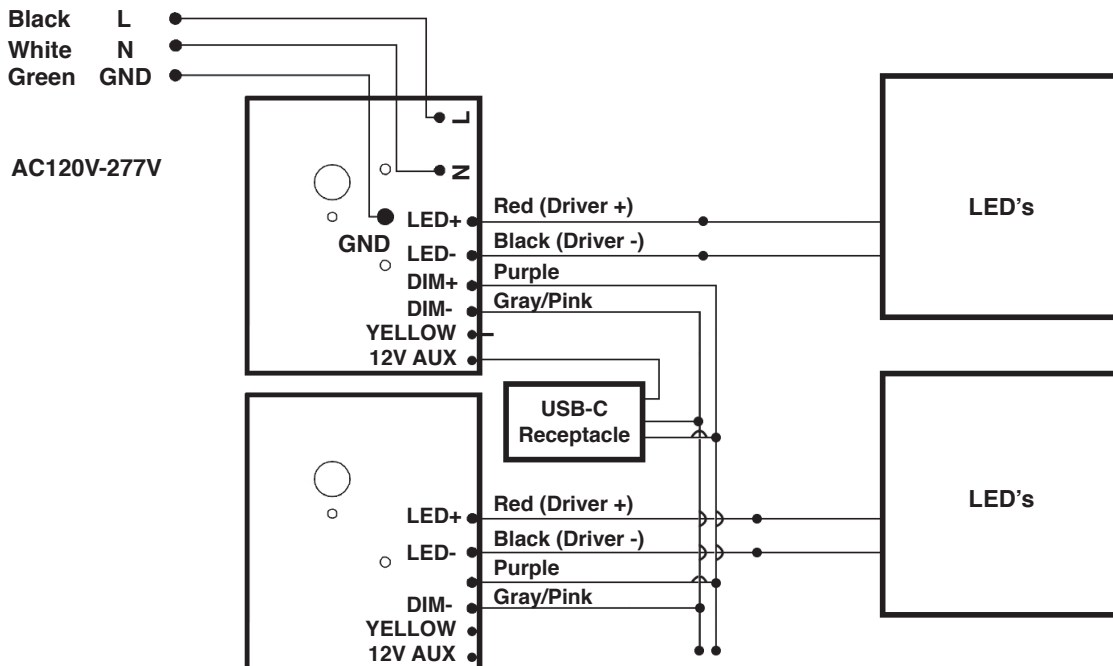
WARNING

Risk of fire or electric shock, installation requires knowledge of the lighting luminaires electrical systems. If not qualified, do not attempt installation and contact a qualified electrician.



Note: Leave yellow wire capped

Controls Ready (CR) Model Daisy-Chained Wiring Diagram



Note: Leave yellow wire capped

- Remove Dim+ and Dim- from the USB-C receptacle from the Child-Fixtures to connect to the Dim+, Dim- of the parent fixture.
- The USB-C receptacle will no longer function on the Child-Fixtures.
- No more than 8 fixtures total when daisy chaining.

MaxLite® LED Troffer Retrofit Kit (1x4, 2x2 & 2x4)



c-Max™ node Installation Instructions (Applicable only on CR models)

1. Remove the sensor cover, silicone plugs from the USB-C receptacle and the screw hole (see Fig. 2).
2. Plug the c-Max™ into the USB-C receptacle via the USB connection (see Fig. 3).
3. Secure the c-Max™ node in place by fastening the included M3 button head screw with a Hex (Allen) key (not included). Once the screw is secured, cover it with the included silicone cap (see Fig. 4 - drawing for illustration only, actual screw may look different.)
4. Place sensor cover (included) to complete installation of sensor. (see Fig. 5)

Note: For samples including a hex screw, use a 2.5mm Allen key or SAE equivalent 3/32.
Note: In motion sensor models, the USB-C receptacle if present would no longer be functional.
Note: Appropriate sensor cover must be used for step 4. (see Fig. 5)

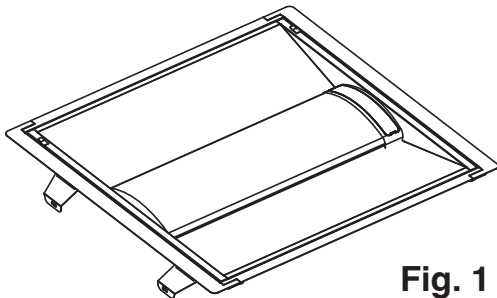


Fig. 1

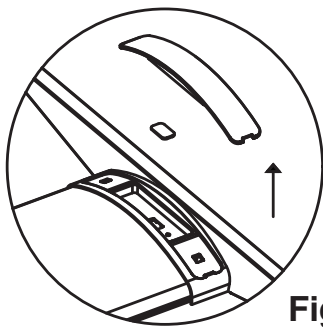


Fig. 2

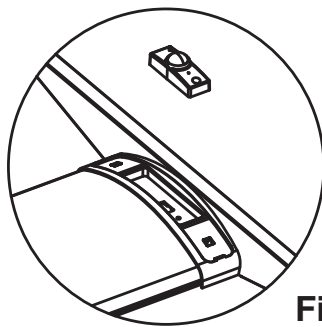


Fig. 3

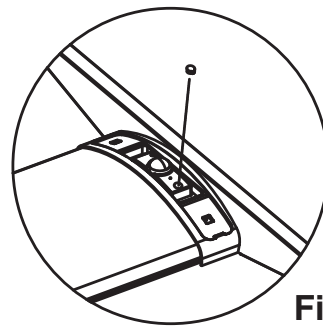


Fig. 4

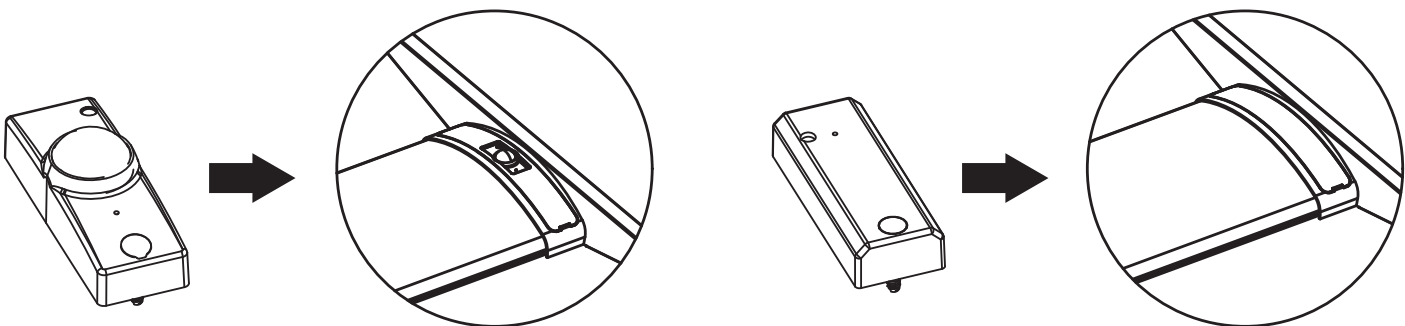


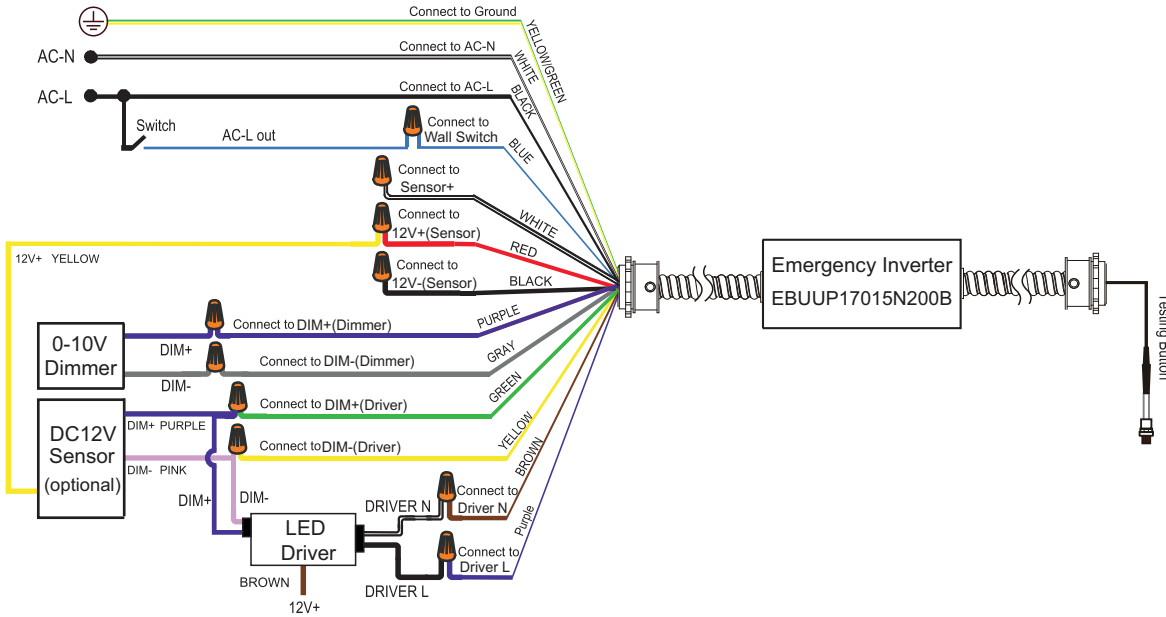
Fig. 5



MaxLite® LED Troffer Retrofit Kit (1x4, 2x2 & 2x4)

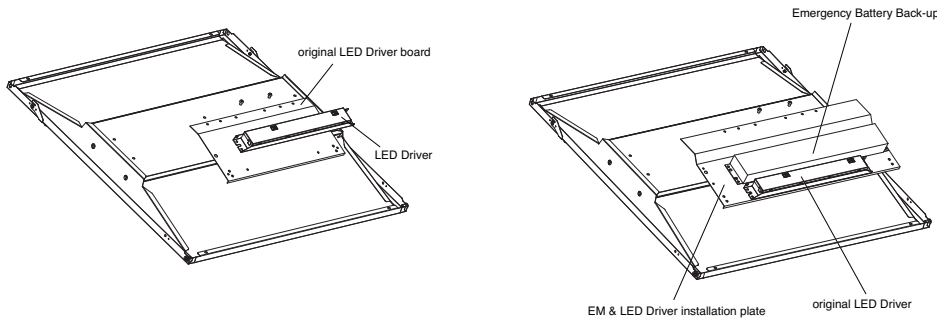
Emergency Unit Installation Instructions (Sold Separately)

Refer to the instructions and details on the separate Instruction manual included with the Emergency unit for installation.

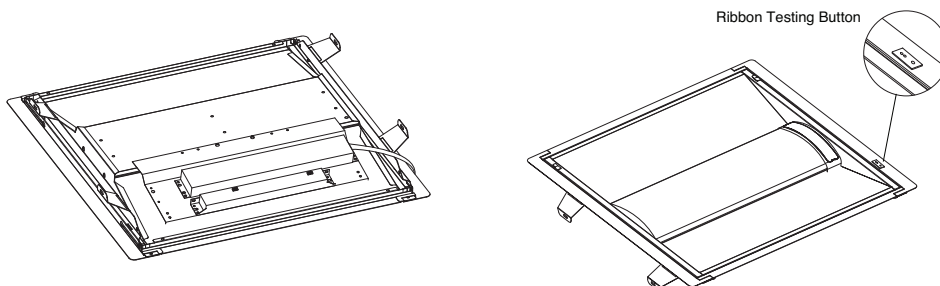


NOTE: Wiring diagram for Emergency solution with 0-10V LED driver, without using a 0-10V dimmer and LED driver input not greater than 80W.

1. Remove the fixture LED driver and original driver board.
2. Install the EM and original LED driver to the provided installation plate. Attach the combination to the back of fixture reflector with screws.



3. Make wiring refer to the General Wiring Diagram and comply with local CODE and regulations.
4. Connect the Ribbon Testing Button to the EM.



MaxLite® LED Troffer Retrofit Kit (1x4, 2x2 & 2x4)



Ribbon Test Switch Installation

Replace standard test switch with included test switch to properly attach test switch to the front of the fixture.

NOTE: Must pull connector on opposite directions to disconnect switch.



MaxLite® LED Troffer Retrofit Kit (1x4, 2x2 & 2x4)



Warranty Information

10-Year standard warranty with labor allowance*

(see terms at www.maxlite.com/warranties)

*Warranty Limitations: Product must be rated for application per the Product Data Sheet (PDS); operated ≤16 hrs; in ambient temperatures -4°F to 77°F.

*Up to \$25/unit; registration required. Additional coverage may be available for purchase; contact MaxLite.

*Excludes EM/MS versions; component warranty applies.

*If ambient temperatures fall outside the -4°F to 77°F range; product is warranted for 5 years according to the operating temperature range specified on the PDS.

Limitation of Liability

THE FOREGOING WARRANTY IS EXCLUSIVE, AND IS THE SOLE REMEDY FOR ANY AND ALL CLAIMS, WHETHER IN CONTRACT, IN TORT OR OTHERWISE ARISING FROM THE FAILURE OF PRODUCT AND IS IN LIEU OF ALL OTHER WARRANTIES, EXPRESS OR IMPLIED, INCLUDING ALL WARRANTIES OF MERCHANTABILITY OR FITNESS FOR A PARTICULAR PURPOSE, WHICH WARRANTIES ARE HEREBY EXPRESSLY DISCLAIMED TO THE EXTENT PERMITTED BY LAW AND, IN ANY EVENT, SHALL BE LIMITED TO THE WARRANTY PERIOD SPECIFIED ABOVE. THE LIABILITY OF MAXLITE SHALL BE LIMITED TO THE TERMS OF THE EXPRESS WARRANTY SET FORTH HEREIN. IN NO EVENT WILL MAXLITE BE LIABLE FOR ANY SPECIAL, INCIDENTAL OR CONSEQUENTIAL DAMAGES INCLUDING, WITHOUT LIMITATION, DAMAGES RESULTING FROM LOSS OF USE, PROFITS, BUSINESS OR GOODWILL, LABOR COSTS, REMOVAL OR INSTALLATION COSTS, DECREASE IN THE LIGHT OUTPUT OF THE LAMP, AND/OR DETERIORATION IN THE LAMP'S PERFORMANCE, WHETHER OR NOT MAXLITE HAS BEEN ADVISED OF THE POSSIBILITY THEREOF. UNDER NO CIRCUMSTANCES SHALL MAXLITE'S ENTIRE LIABILITY FOR A DEFECTIVE PRODUCT EXCEED THE PURCHASE PRICE OF THAT PRODUCT. WARRANTY SERVICES PROVIDED UNDER THESE TERMS AND CONDITIONS DO NOT ENSURE THE UNINTERRUPTED OPERATION OF PRODUCTS; MAXLITE SHALL NOT BE LIABLE FOR DAMAGES CAUSED BY ANY DELAYS INVOLVING WARRANTY SERVICE.

This Limited Warranty gives you specific legal rights and you may also have other rights that may vary from state to state. Because some states or jurisdictions do not allow the exclusion or limitation of liability for consequential or incidental damages, this limitation may not apply to you.