

# MaxLite® LED Troffer Retrofit Kit Eco (1x4, 2x2 & 2x4)



## General Safety Information

- To reduce the risk of death, personal injury or property damage from fire, cuts/abrasions, and other hazards read all warnings and instructions included with and on the fixture box and all fixture labels.
- Before installing, servicing, or performing routine maintenance upon this equipment, follow these general precautions.
- Commercial installation, service and maintenance of luminaires should be performed by a qualified licensed electrician.
- For Residential installation: If you are unsure about the installation or maintenance of the luminaires, consult a qualified licensed electrician and check your local electrical code.
- DO NOT INSTALL DAMAGED PRODUCT!
- This fixture is intended to be connected to a properly installed and rounded UL Listed troffer housing.



*Pictures are for illustration purposes only. Your model may vary.*

### WARNING: RISK OF FIRE OR ELECTRIC SHOCK

- Turn off electrical power at fuse or circuit breaker box before wiring fixture to the power supply.
- Turn off the power when you perform any maintenance.
- Verify that supply voltage is correct by comparing it with the luminaire label information.
- All wiring connections should be capped with UL approved wire connectors.

**WARNING** - Risk of fire or electric shock. The electrical rating of these products are 120-277 Vac, the installer must determine whether they have 120-277V at the luminaire before installation.

**WARNING** - Risk of fire or electric shock. LED Retrofit Kit installation requires knowledge of luminaires electrical systems. If not qualified, do not attempt installation. Contact a qualified electrician.

**WARNING** - Risk of fire or electric shock. Install this kit only in the luminaires that have the construction features and dimensions shown in the photographs and/or drawings.

**WARNING** - To prevent wiring damage or abrasion, do not expose wiring to edges of sheet metal or other sharp objects

**WARNING** - Risk of fire or electric shock. Luminaire wiring and electrical parts may be damaged when drilling for installation of LED retrofit kit. Check for enclosed wiring and components. Do not make or alter any open holes in an enclosure of wiring or electrical components during kit installation.

### CAUTION:

- Avoid direct eye exposure to the light source while it is on.
- Account for small parts and destroy packing material, as these may be hazardous to children.
- Risk of burn. Disconnect power and allow fixture to cool before changing bulb or handing fixture.

**NOTICE:** Green ground screw provided in proper location. Do not relocate.

**NOTICE:** Minimum 90°C supply conductors .

**NOTICE:** Specifications and dimensions subject to change without notice.

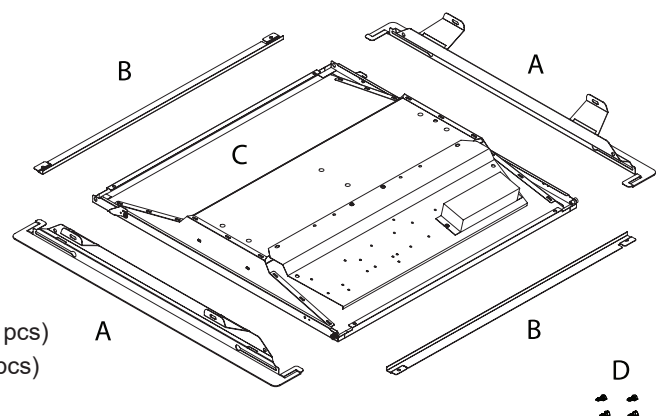
**NOTICE:** Suitable for Dry or Damp location, Type IC

### MODEL

TRKE Series Troffer Kitss (1x4, 2x2, 2x4)

### INCLUDED IN BOX

- A** – End Plates (2 pcs)
- B** – Side Plates (2 pcs)
- C** – Door Assembly Body (1 pcs)
- D** – Self-tapping Screws (4 pcs)





# MaxLite® LED Troffer Retrofit Kit Eco (1x4, 2x2 & 2x4)

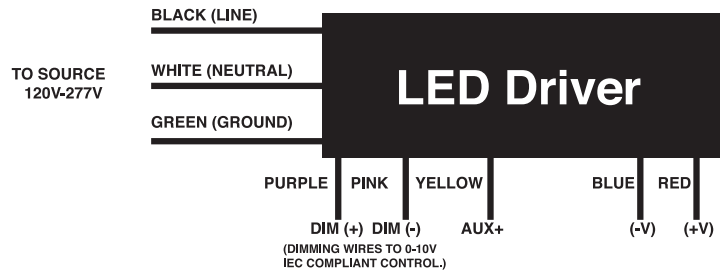
## General Wiring Diagram

**CAUTION:** Turn off electrical power at fuse or circuit breaker box before wiring fixture to the power supply.

**Connecting panels to AC source supply:**

All units must be individually connected to the AC supply. (120-277 VAC)

Black = Line, White = Neutral, Green = Ground



## Installation & Operation

1. Prior to installation, disconnect all incoming power to the luminaire. Remove the existing hardware (lens/lens frame or parabolic louver, reflectors/ballast covers, brackets, lamps/lamp holders, etc.). Leave the supply and grounding leads in place. (See Fig. 1)

**NOTE:** Follow all federal and local regulations when disposing of lamps and removed components.

2. Install the two (2) end plates to each end of the existing luminaire by placing them between the fixture and T-grid. Secure them with four (4) self-tapping screws. (See Fig. 2, Fig. 2A)

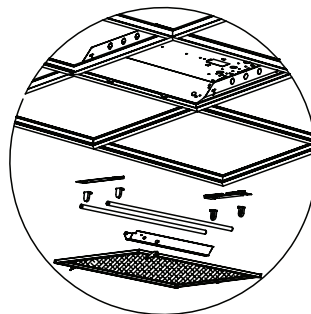


Figure 1

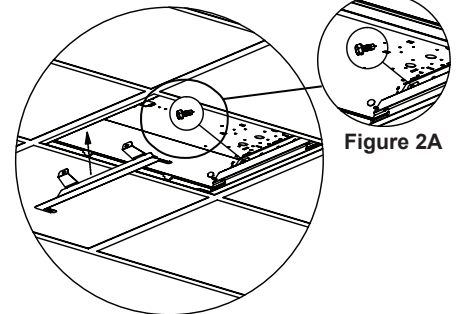


Figure 2

3. If needed, install the side plates between the fixture and T-grid, there are two tabs to allow for placing the side brackets into the slot of the end plates. (See Fig. 3)

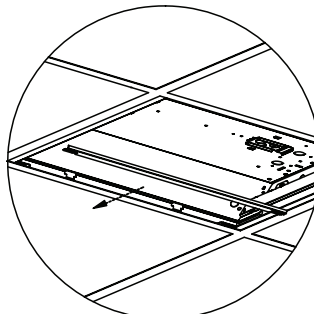


Figure 3

4. Place the hinges of the retrofit luminaire body into the keyholes of the end plates, slide the luminaire body horizontally to the end of the slots. (See Fig. 4, Fig. 4A)

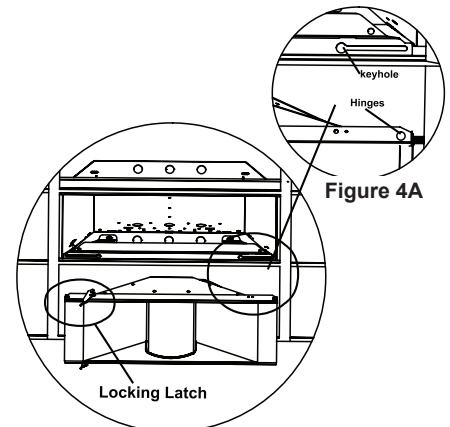


Figure 4

5. Hook the safety cables into the holes on the end plates, and use the provided wire nuts to connect the wire leads of the troffer kits to the main power leads (Black-Line, White-Neutral, Green-Grounding). (See Fig. 5, Fig. 5A)

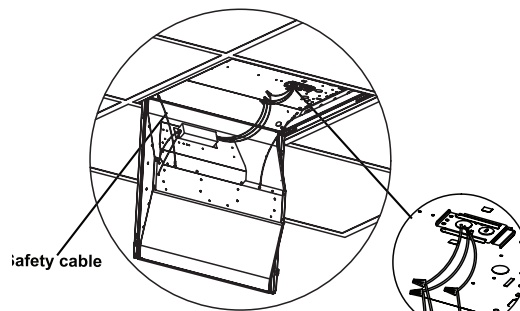


Figure 5

Figure 5A

6. Push the retrofit troffer up into place and secure it with the locking latches on each end of the luminaire body. (See Fig. 6)

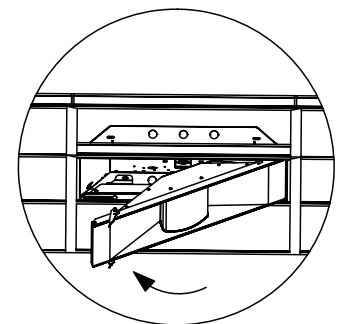
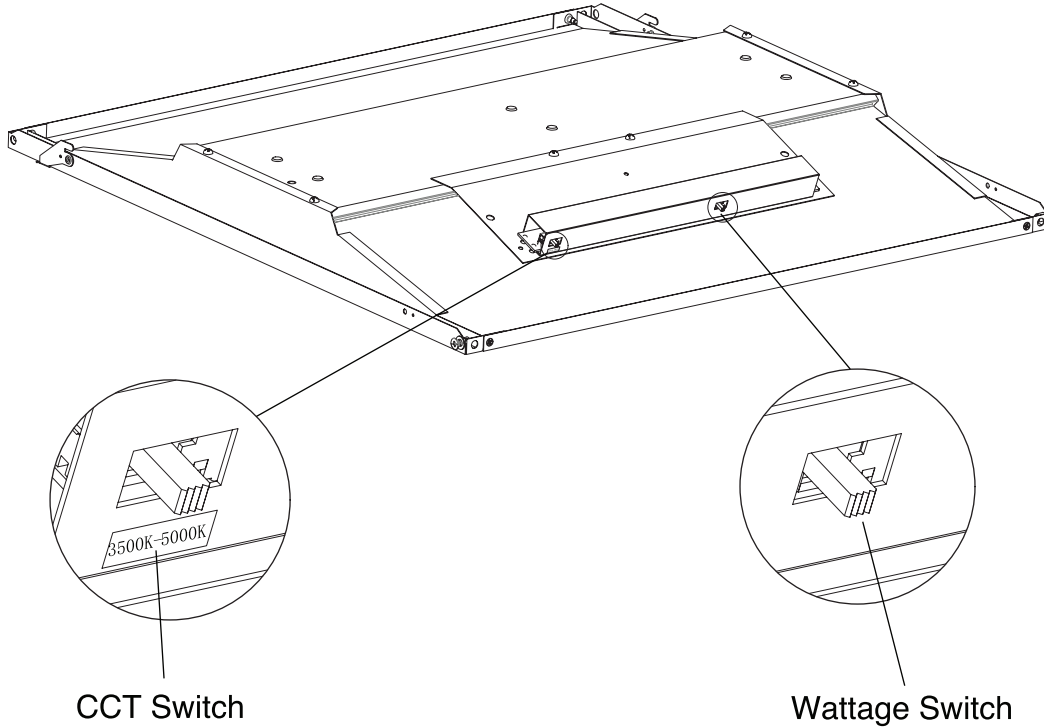


Figure 6

**MaxLite® LED Troffer Retrofit Kit Eco (1x4, 2x2 & 2x4)****Field-Adjustable Wattage & CCT**

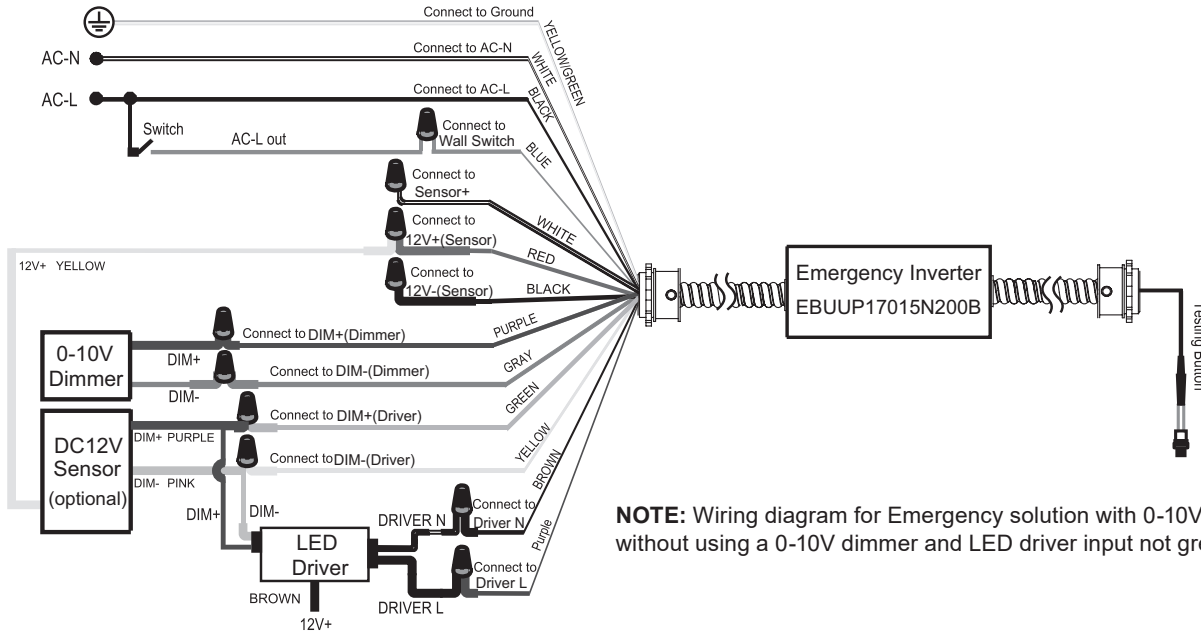
1. The end users may adjust the color temperature and lumen output respectively by the two DIP switch.
2. Each DIP switch is accommodated with 3 options (left, middle and right ),corresponding to 3 color temperatures and 3 powers respectively, which can perform the desired color temperature and lumen output combination.
3. Select a wattage and color temperature by sliding switch left or right respectively to the desired value.

# MaxLite® LED Troffer Retrofit Kit Eco (1x4, 2x2 & 2x4)



## Installation Instructions – Emergency Unit (Sold Separately)

Refer to the instructions and details on the separate Instruction manual included with the Emergency unit for installation.



**NOTE:** Wiring diagram for Emergency solution with 0-10V LED driver, without using a 0-10V dimmer and LED driver input not greater than 80W.

1. Remove the fixture LED driver and original driver board. (See Fig. 7)
2. Install the EM and original LED driver to the provided installation plate. (See Fig. 7)
3. Attach the combination to the back of fixture reflector with screws

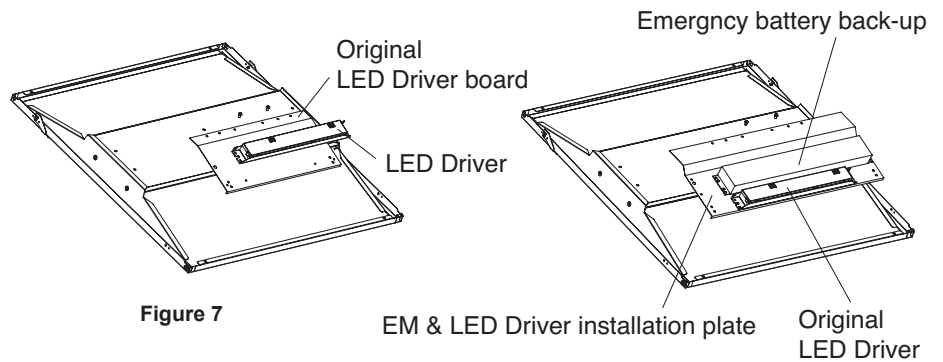


Figure 7

3. Make wiring refer to the General Wiring Diagram and comply with local CODE and regulations.
4. Connect the Ribbon Testing Button to the EM. (See Fig. 8)

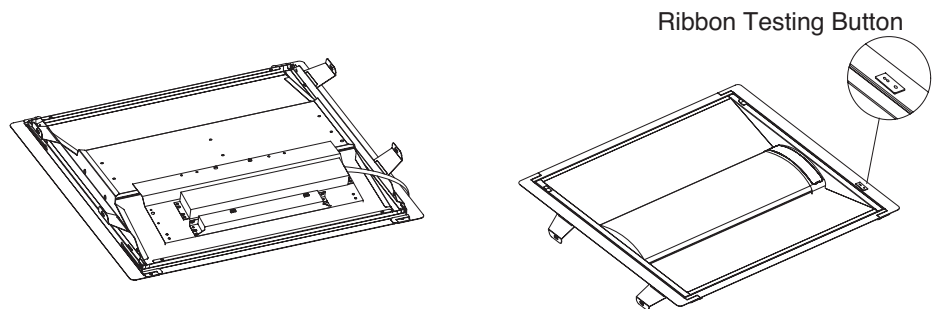
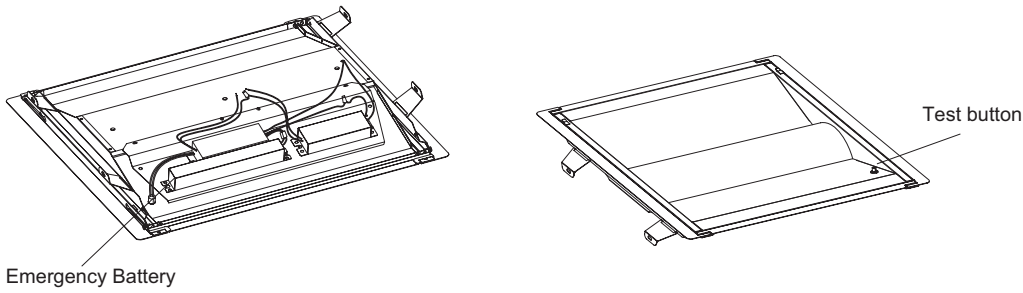


Figure 8

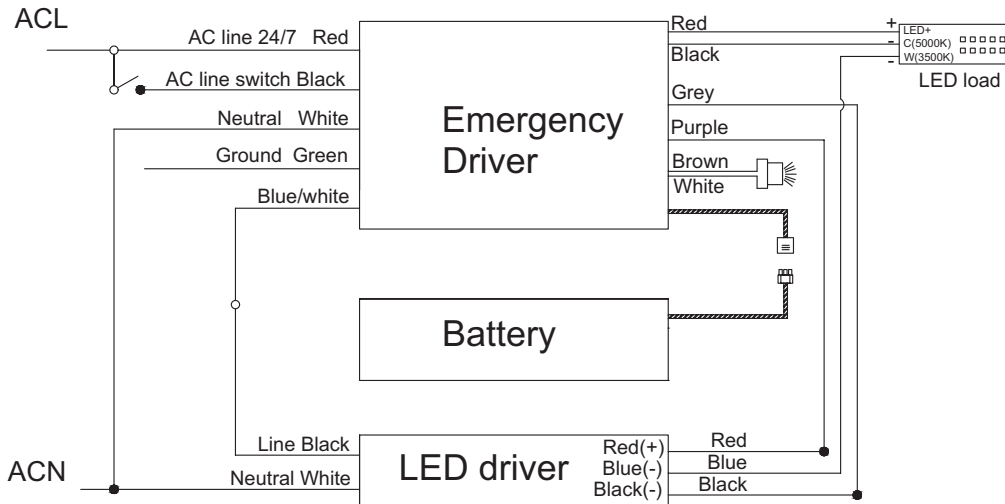


# MaxLite® LED Troffer Retrofit Kit Eco (1x4, 2x2 & 2x4)

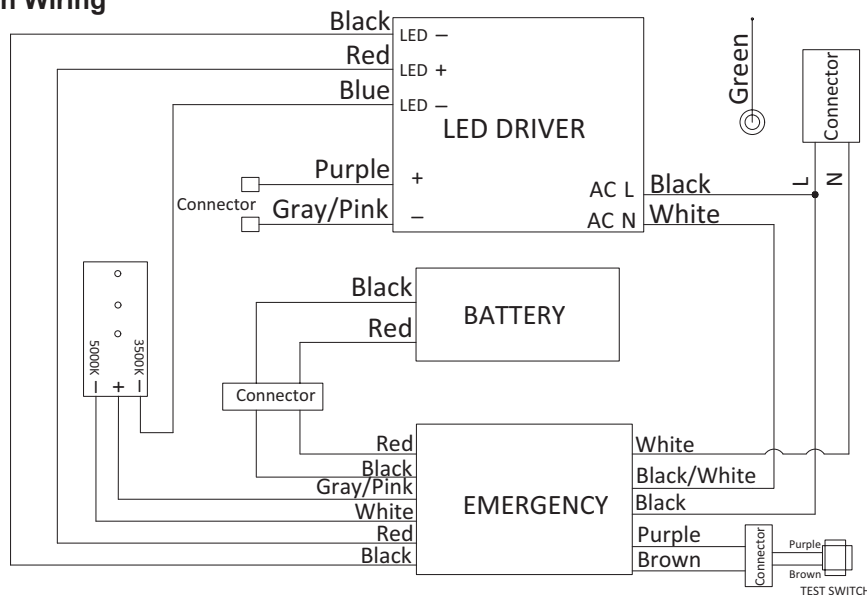
## Additional Accessories (Sold Separately) – Emergency Battery Backup



### EM Version Wiring



### E2 Version Wiring

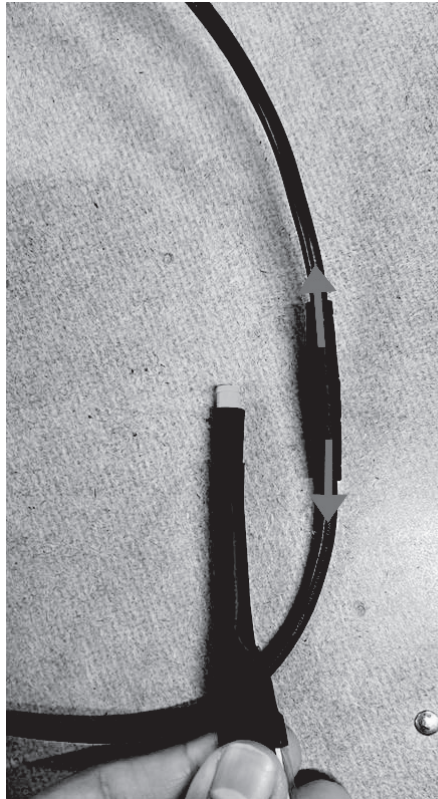


## MaxLite® LED Troffer Retrofit Kit Eco (1x4, 2x2 &amp; 2x4)

Installation instructions – Ribbon Test Switch

1. Replace standard test switch with included test switch to properly attach test switch to the front of the fixture.

**NOTE:** Must pull connector on opposite directions to disconnect switch.





**MaxLite® LED Troffer Retrofit Kit Eco (1x4, 2x2 & 2x4)****Warranty Information**

MaxLite Inc. warrants its products for a minimum period of **FIVE (5)** years from the date of original purchase from MaxLite or its authorized distributor/dealer (the "Warranty Period"), as follows: If a Product fails to operate during the Warranty Period as a result of defects in materials or workmanship, MaxLite will, at its option, repair it, replace it with the same or like Product.

Please refer to Maxlite's website ([at http://maxlite.com/resources/warranties](http://maxlite.com/resources/warranties)) for the complete terms and conditions of our warranty.

**Limitation of Liability**

THE FOREGOING WARRANTY IS EXCLUSIVE, AND IS THE SOLE REMEDY FOR ANY AND ALL CLAIMS, WHETHER IN CONTRACT, IN TORT OR OTHERWISE ARISING FROM THE FAILURE OF PRODUCT AND IS IN LIEU OF ALL OTHER WARRANTIES, EXPRESS OR IMPLIED, INCLUDING ALL WARRANTIES OF MERCHANTABILITY OR FITNESS FOR A PARTICULAR PURPOSE, WHICH WARRANTIES ARE HEREBY EXPRESSLY DISCLAIMED TO THE EXTENT PERMITTED BY LAW AND, IN ANY EVENT, SHALL BE LIMITED TO THE WARRANTY PERIOD SPECIFIED ABOVE. THE LIABILITY OF MAXLITE SHALL BE LIMITED TO THE TERMS OF THE EXPRESS WARRANTY SET FORTH HEREIN. IN NO EVENT WILL MAXLITE BE LIABLE FOR ANY SPECIAL, INCIDENTAL OR CONSEQUENTIAL DAMAGES INCLUDING, WITHOUT LIMITATION, DAMAGES RESULTING FROM LOSS OF USE, PROFITS, BUSINESS OR GOODWILL, LABOR COSTS, REMOVAL OR INSTALLATION COSTS, DECREASE IN THE LIGHT OUTPUT OF THE LAMP, AND/OR DETERIORATION IN THE LAMP'S PERFORMANCE, WHETHER OR NOT MAXLITE HAS BEEN ADVISED OF THE POSSIBILITY THEREOF. UNDER NO CIRCUMSTANCES SHALL MAXLITE'S ENTIRE LIABILITY FOR A DEFECTIVE PRODUCT EXCEED THE PURCHASE PRICE OF THAT PRODUCT. WARRANTY SERVICES PROVIDED UNDER THESE TERMS AND CONDITIONS DO NOT ENSURE THE UNINTERRUPTED OPERATION OF PRODUCTS; MAXLITE SHALL NOT BE LIABLE FOR DAMAGES CAUSED BY ANY DELAYS INVOLVING WARRANTY SERVICE.

This Limited Warranty gives you specific legal rights and you may also have other rights that may vary from state to state. Because some states or jurisdictions do not allow the exclusion or limitation of liability for consequential or incidental damages, this limitation may not apply to you.