



MaxLite® Universal Pole Mount Installation Guide

Universal Pole Mount is compatible with MaxLite AR, MP-AR and QMP Series Pole Mount options.

Tools: 5/16 Allen Wrench

Universal Pole Mount for Square Pole Installation Instructions:

1. Identify the existing hole pattern on the pole. Ensure that the holes on the pole will fit within the dimensions of the universal pole mount pattern (See **Fig. 1**). (**Note:** the side of the universal pole mount with the long slot is mounted directly to the pole. The larger oval shaped hole in the center is intended to be a thru hole for the power supply cord).
2. Remove the top and bottom mount caps from the universal pole mount. Align the mount gasket and the universal pole mount with the existing hole pattern. Secure the universal pole mount to the pole, ensuring that the gasket is in-between the mount and pole (See **Fig. 2**). (**Note:** the 3/8" bolts and washers are inserted from the inside of the pole mount, and secured with the 3/8" nut from the inside of the pole).
3. Before reinserting the mount caps into the universal pole mount, attach the luminaire and luminaire mount according to the specific fixture's Instruction Manual (See **Fig. 3**).
4. Once the luminaire is secured to the universal pole mount reinsert the mount caps.

Round Pole Adapter Installation Instructions:

Note: 4" and 5" round pole adapters are sold separately.

1. Identify the existing hole pattern on the round pole and ensure that it will fit within the dimensions of the universal pole mount (refer to **Fig. 1**).
2. Remove the top and bottom mount caps from the universal pole mount. Align the round pole adapter, round pole adapter gasket, mount gasket and the universal pole mount with the existing hole pattern. Secure the round pole adapter to the pole, ensuring that the gaskets and adapter are in-between the mount and pole (See **Fig. 4**). (**Note:** the 3/8" bolts and washers are inserted from the inside of the pole mount, and secured with the 3/8" nut from the inside of the pole).
3. Before reinserting the mount caps into the universal pole mount, attach the luminaire and luminaire mount according to the specific fixture's Instruction Manual (See **Fig. 5**).
4. Once the luminaire is secured to the universal pole mount reinsert the mount caps.

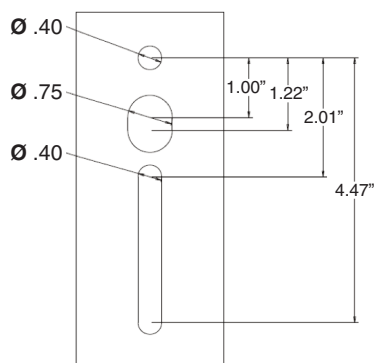


Fig. 1

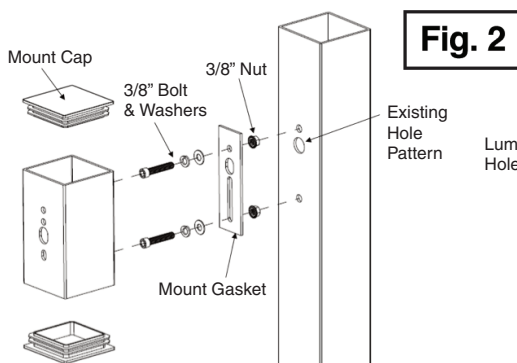


Fig. 2

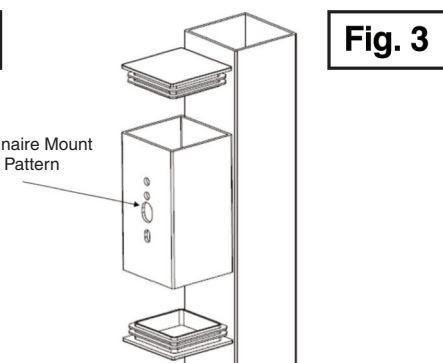


Fig. 3

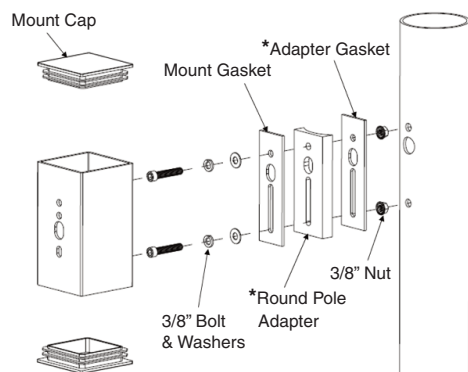


Fig. 4

***Note:** 4" and 5" round pole adapters indicated in Fig. 4 and 5 are sold separately.

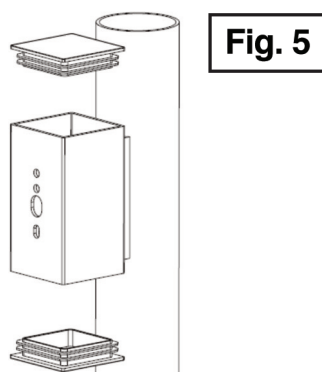


Fig. 5