

PROJECT NAME: _____
 NOTES: _____

CAT. #: _____
 FIXTURE SCHEDULE: _____

LED R & BR Lamps - R20, BR30, BR40 Value Series



Product Description

With a full array of R and BR lamps, MaxLite products offer an immediate payback with LED replacements for incandescent lamps. Available in a standard medium base, the LED BR lamp is an ideal lighting solution for track lights, display lights and recessed lights. They provide efficient, general lighting suited for architectural, residential, retail, office space and hospitality applications.

Features

- 25,000 hour life (L70 standards)
- Dimmable - TRIAC 10-100%
- Power Factor: ≥0.7
- Standard E26 base
- RoHS Compliant

Ordering Structure

FAMILY	WATTAGE	FAMILY	WET RATED	DIMMABILITY	CRI & CCT	BEAM
V = Value	5.5 = 5.5W	R20 = R20	BLANK = Damp Rated	D = Dimmable	827 = 80 CRI, 2700K 830 = 80 CRI, 3000K 840 = 80 CRI, 4000K 850 = 80 CRI, 5000K	FL = Flood (110°)
	7 = 7W	BR30 = BR30				
	12 = 12W	BR40 = BR40				

FCC Statement

NOTE: This equipment has been tested and found to comply with the limits for a class B digital device, pursuant to Part 15 of the FCC Rules. These limits are designed to provide reasonable protection against harmful interference in a residential installation. This equipment generates, uses, and can radiate radio frequency energy and, if not installed and used in accordance with the instructions, may cause harmful interference to radio communications. However, there is no guarantee that interference will not occur in a particular installation.

If this equipment does cause harmful interference to radio or television reception which can be determined by turning the equipment off and on, the user is encouraged to try to correct the interference by one or more of the following measures:

- Reorient or relocate the receiving antenna. Increase the separation between the equipment and receiver.
- Connect the equipment to an outlet on a circuit different from that to which the receiver is connected.
- Consult the dealer or an experienced radio/TV technician for help.

LED R & BR Lamps - R20, BR30, BR40

Value Series

Specifications

	V5.5R20D8xxFL	V7BR30D8xxFL	V12BR40D8xxFL
Base Type	E26		
Input Wattage (W)	5.5W	7W	12W
Lumens Delivered (lm)	500 lm	650 lm	1,100 lm
Nominal Efficacy (lm/W)	91 lm/W	93 lm/W	92 lm/W
Equivalent Wattage (W)	50W Inc.	65W Inc.	85W Inc.
CCT	2700K, 3000K, 4000K, 5000K		
CRI	≥80		
Calculated L70 Lumen Maintenance	25,000 hours		
Distribution	Flood: 110°		
Dimming Technology	Triac		
Dimming Range	Dimmable, 10%-100%		
Input Voltage	120V		
Power Factor	≥0.7		
Lens	Polycarbonate		
Operating Temperature	-4°F to 104°F		
Certifications	ETLus Listed, FCC, RoHS		
Environment	Damp locations		
Warranty	3 Year warranty. Check maxlite.com/warranties for details		
Case Qty	24 pcs		

Stocked Items

V5.5R20D8xxFL

ORDER CODE	MODEL NUMBER
112101	V5.5R20D827FL
112102	V5.5R20D830FL
112106	V5.5R20D840FL
112107	V5.5R20D850FL

V7BR30D8xxFL

ORDER CODE	MODEL NUMBER
112108	V7BR30D827FL
112112	V7BR30D830FL
112114	V7BR30D850FL

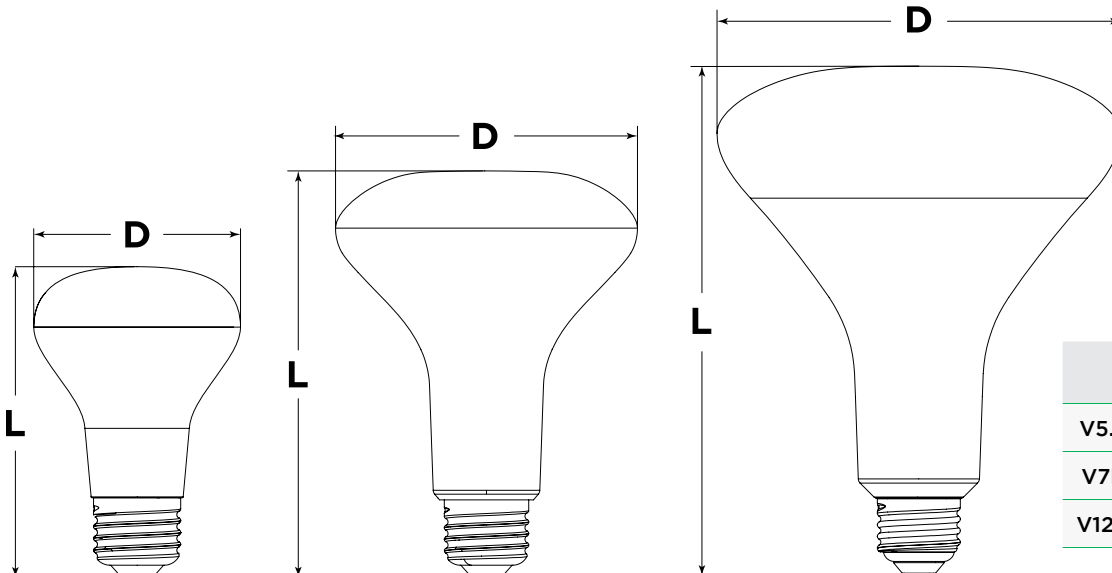
V12BR40D8xxFL

ORDER CODE	MODEL NUMBER
112252	V12BR40D827FL
112254	V12BR40D830FL
112255	V12BR40D840FL
112256	V12BR40D850FL

Compatible Dimmers

BRAND	DIMMER MODELS
Lutron	DVCL-153PR-WH
Leviton	R11-DSL06-1TW
Legrand	RHCL453PNICCV4
Leviton	R68-06674-POT
TP-link	HS220

Dimensions



MODEL	L (INCHES)	D (INCHES)
V5.5R20D8xxFL	3.74	2.48
V7BR30D8xxFL	5.04	3.74
V12BR40D8xxFL	6.30	5.00