

MaxLite® WallMax Compact Open Face Wall Pack



General Safety Information

- To reduce the risk of death, personal injury or property damage from fire, electric shock, falling parts, cuts/abrasions, and other hazards read all warnings and instructions included with and on the fixture box and all fixture labels.
- Before installing, servicing, or performing routine maintenance upon this equipment, follow these general precautions.
- Commercial installation, service and maintenance of luminaires should be performed by a qualified licensed electrician.
- For Residential installation: If you are unsure about the installation or maintenance of the luminaires, consult a qualified licensed electrician and check your local electrical code.
- **DO NOT INSTALL DAMAGED PRODUCT!**
- This fixture is intended to be connected to a properly installed and grounded UL listed junction box.



Picture is for illustration purposes only.
Your model may vary.

WCF Series

Operating Temperature: -40°C to 50°C
Rated Voltage: 120-277 Vac 50/60Hz

WARNING:

RISK OF ELECTRICAL SHOCK

- **Turn off electrical power at fuse or circuit breaker box before wiring fixture to the power supply.**
- **Turn off the power when you perform any maintenance.**
- **Verify that supply voltage is correct by comparing it with the luminaire label information.**
- **Make all electrical and grounded connections in accordance with the National Electrical Code and any applicable local code requirements.**
- **All wiring connections should be capped with UL approved wire connectors.**
- **Do not handle energized fixture when hands are wet, when standing on wet or damp surfaces, or in water.**

CAUTION:

RISK OF INJURY

- **Wear gloves and safety glasses at all times when removing luminaire from carton, installing, servicing or performing maintenance.**
- **Avoid direct eye exposure to the light source while it is on.**
- **Account for small parts and destroy packing material, as these may be hazardous to children.**

CAUTION:

RISK OF FIRE

- **Keep combustible and other materials that can burn away from luminaire and lamp/lens**
- **MIN 90°C SUPPLY CONDUCTORS.**

Models: WCF Series

FCC Warning:

Any changes or modifications to this unit not expressly approved by the party responsible for compliance could void the user's authority to operate the equipment. **NOTE:** This equipment has been tested and found to comply with the limits for a Class A digital device, pursuant to part 15 of the FCC Rules. These limits are designed to provide reasonable protection against harmful interference when the equipment is operated in a commercial environment. This equipment generates, uses, and can radiate radio frequency energy and, if not installed and used in accordance with the instruction manual, may cause harmful interference to radio communications. Operation of this equipment in a residential area is likely to cause harmful interference in which case the user will be required to correct the interference at his own expense.

MaxLite® WallMax Compact Open Face Wall Pack

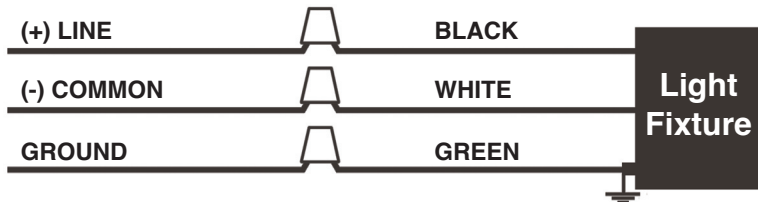


General Wiring Diagram

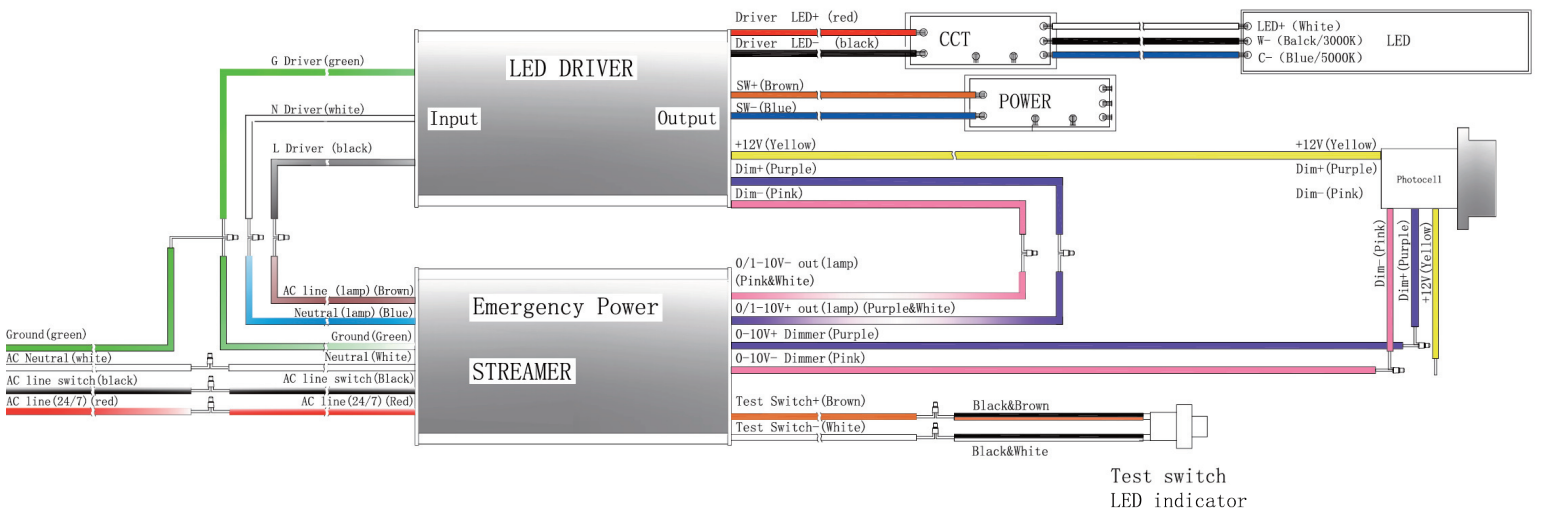
CAUTION: Turn off electrical power at fuse or circuit breaker box before wiring fixture to the power supply.

Connecting panels to AC source supply: All units must be individually connected to the AC supply.

Black / Brown = Line, White = Common, Green = Ground



Standard Product with -20C EM



MaxLite® WallMax Compact Open Face Wall Pack



Surface Mount Installation Instructions

Note: Add a bead of exterior grade silicone sealant around the perimeter of the wall pack on the wall to inhibit any moisture from attachment bolts.

Note: Disconnect power before installation.

1. Turn off the power. And use a screwdriver to loosen the two (2) screws on the side of the fixture. (See Fig. 1)

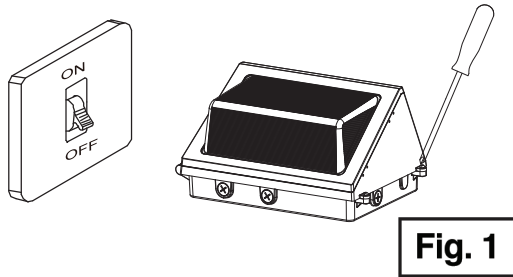


Fig. 1

2. Disconnect the DC wire connector and separate the lamp body from the back plate. Adjust the wattage and CCT switches attached to the back plate to the desired power and CCT settings. (See Fig. 2)

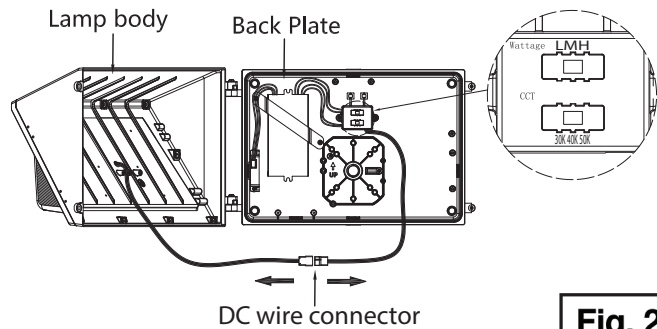


Fig. 2

3. Drill through the mounting holes on the j-box template according to the applications requirements. (See Fig. 3)

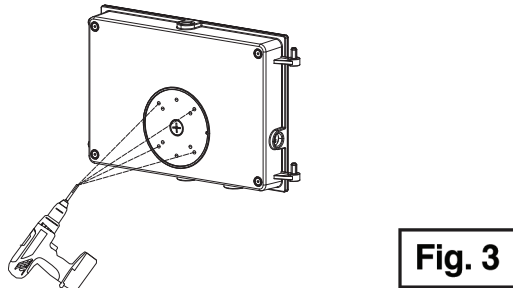


Fig. 3

4. Remove the end cap plug. (See Fig. 4)

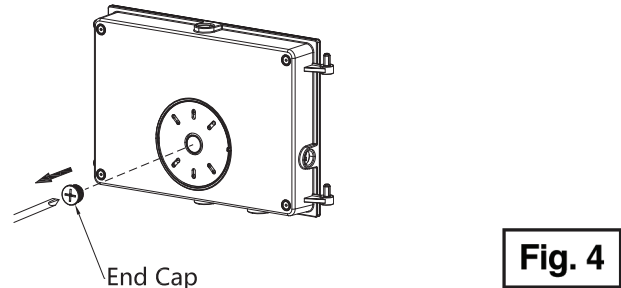


Fig. 4

5. Using four (4) anchor bolts (not included), secure the back plate to the wall and pull the supply wires into the fixture through the KO hole. **Note:** These bolts provide structural support, anchoring the fixture to the wall. (See Fig. 5) If mounting to a j-box drill four (4) holes in the corners of the back plate for these anchor bolts. (See Fig. 6)

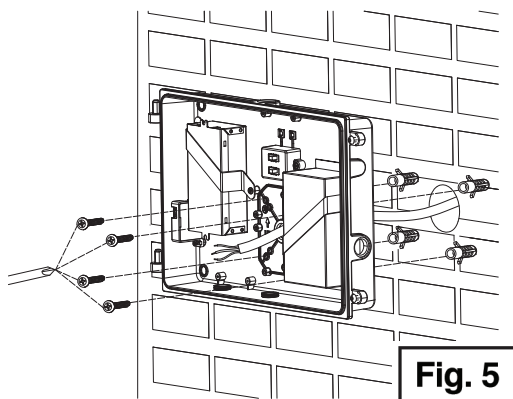


Fig. 5

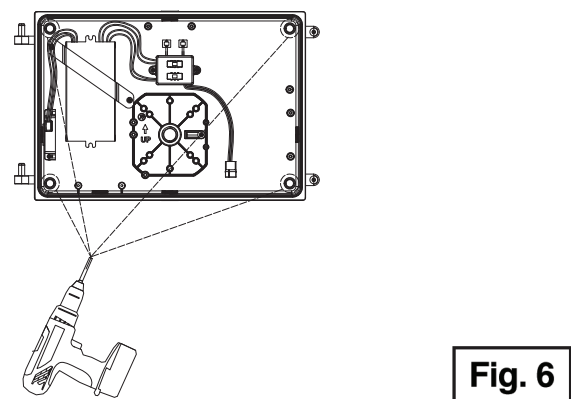


Fig. 6

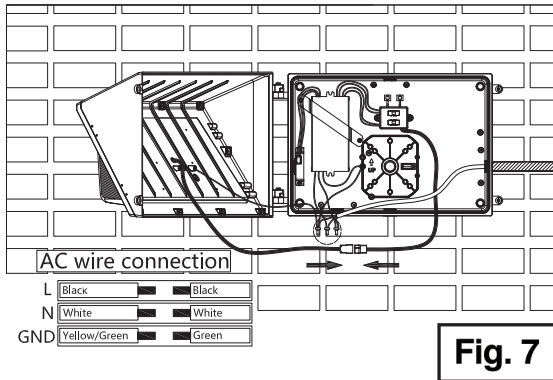
MaxLite® WallMax Compact Open Face Wall Pack

Surface Mount Installation Instructions (Continued)

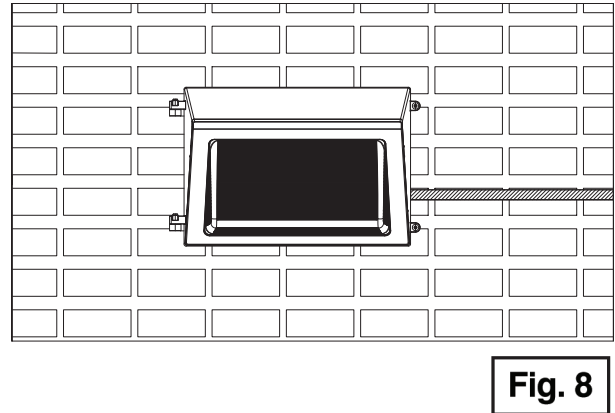
Note: Add a bead of exterior grade silicone sealant around the perimeter of the wall pack on the wall to inhibit any moisture from attachment bolts.

Note: Disconnect power before installation.

6. Install the lamp body back onto the back plate, reconnect the DC wire connector, and connect the AC input wires according to the wiring diagram. (See **Fig. 7**)



7. Close the fixture and tighten the two (2) screws on the side of the fixture that were loosened in step 1. (See **Fig. 8**)

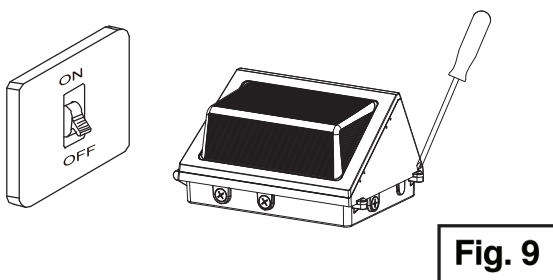


Conduit Mount Installation Instructions

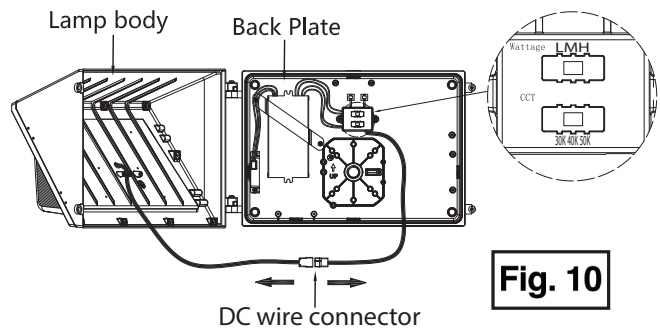
Note: Add a bead of exterior grade silicone sealant around the perimeter of the wall pack on the wall to inhibit any moisture from attachment bolts.

Note: Disconnect power before installation.

1. Use a screwdriver to loosen the two (2) screws on the side of the fixture. (See **Fig. 1**)



2. Disconnect the DC wire connector and separate the lamp body from the back plate. Adjust the wattage and CCT switches attached to the back plate to the desired power and CCT settings. (See **Fig. 10**)



MaxLite® WallMax Compact Open Face Wall Pack



Conduit Mount Installation Instructions (Continued)

Note: Add a bead of exterior grade silicone sealant around the perimeter of the wall pack on the wall to inhibit any moisture from attachment bolts.

Note: Disconnect power before installation.

3. Drill four (4) holes in the corners of the backplate. (See Fig. 11)

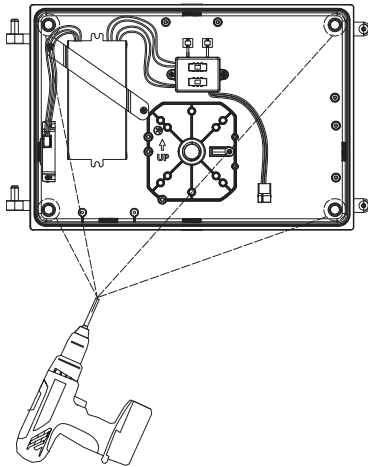


Fig. 11

4. Remove the end cap plug from the side of the back plate where the supply wires will be fed in and affix the foam gasket to the back of the fixture using the adhesive side of the gasket. (See Fig. 12)

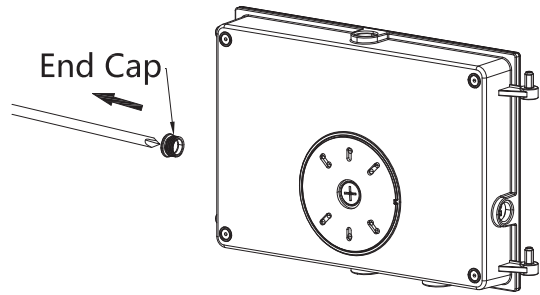


Fig. 12

5. Using four (4) anchor bolts (not included), secure the back plate to the wall and pull the supply wires into the fixture through the KO hole. **Note:** These bolts provide structural support, anchoring the fixture to the wall. Please use a UL certificated waterproof conduit, compatible with the 1/2 NPT KO hole. (See Fig. 13)

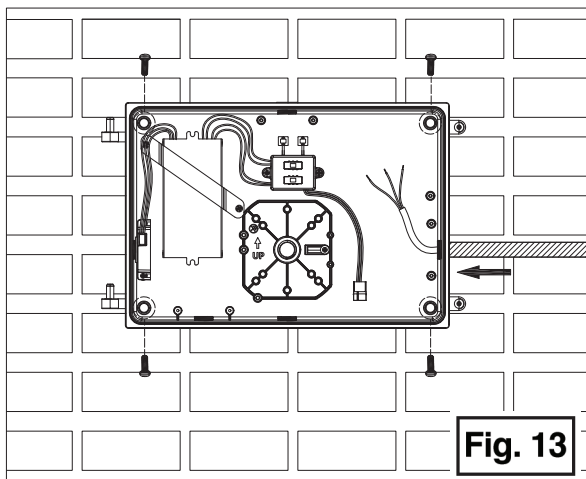


Fig. 13

6. Install the lamp body back onto the back plate, reconnect the DC wire connector, and connect the AC input wires according to the wiring diagram. (See Fig. 14)

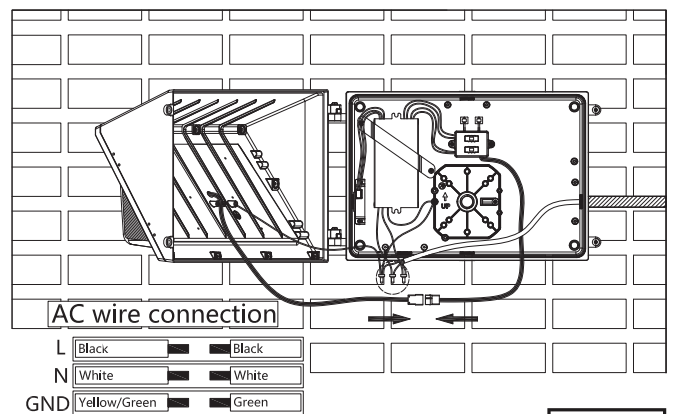


Fig. 14

7. Close the fixture and tighten the two (2) screws on the side of the fixture that were loosened in step 1. (See Fig. 15)

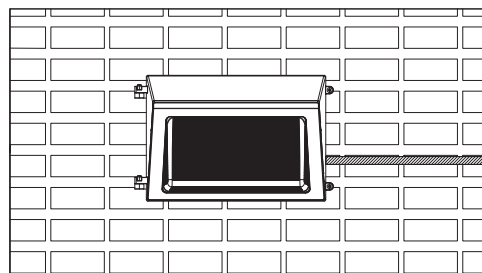


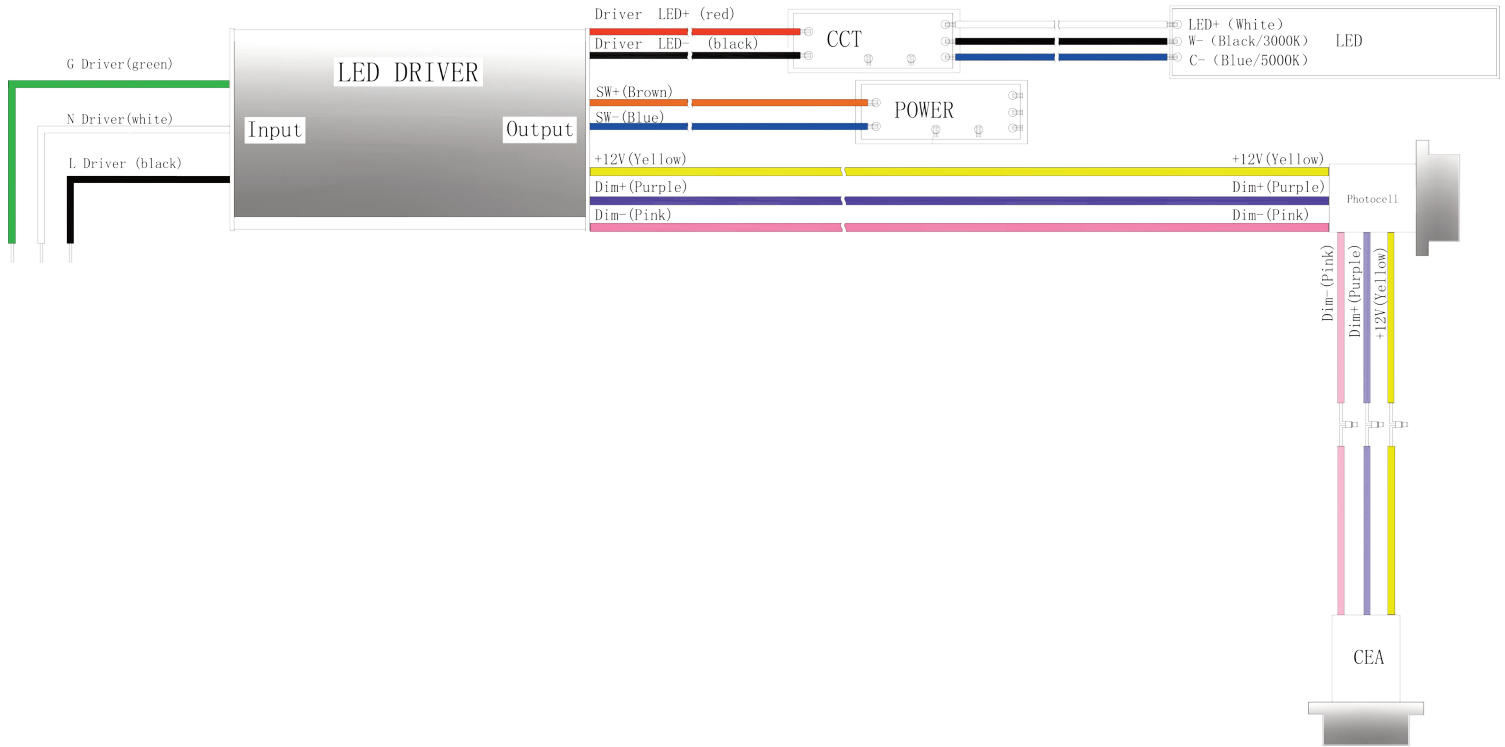
Fig. 15

MaxLite® WallMax Compact Open Face Wall Pack

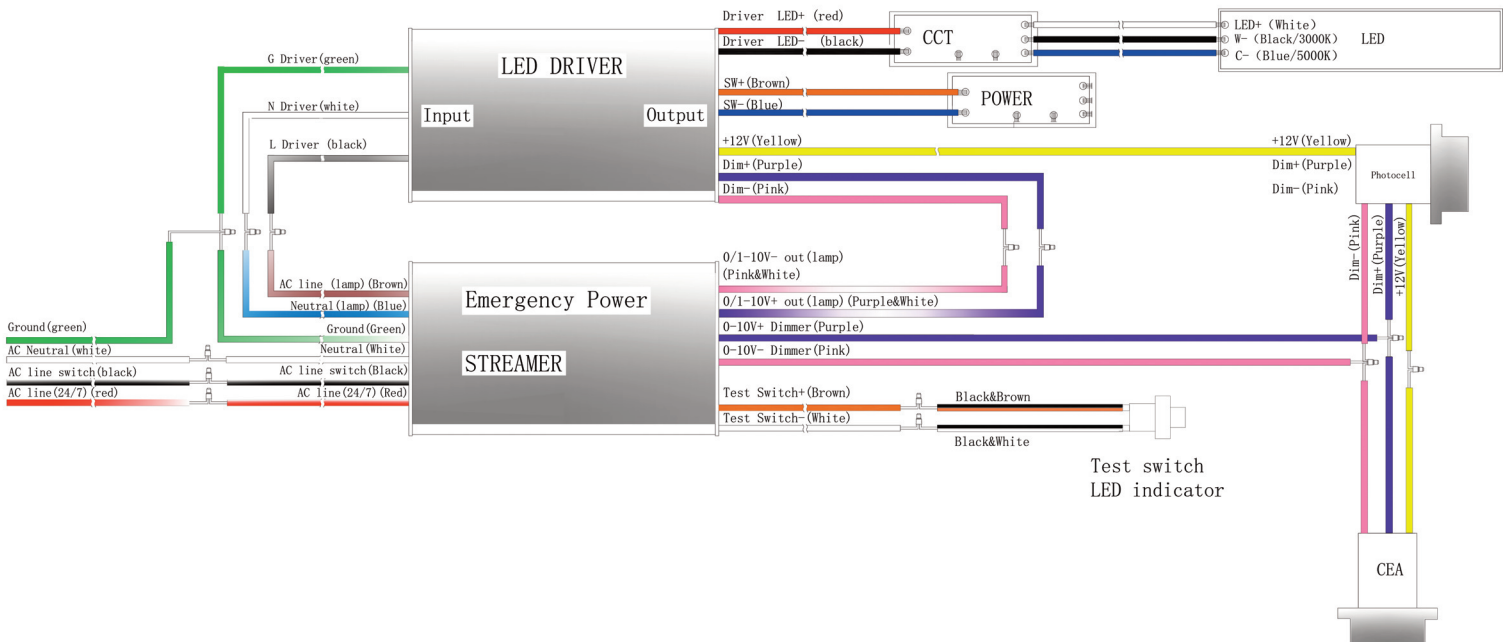


CEA-RDB Accessory and c-Max Sensor Wiring Diagrams

Standard Product with CEA-RDB Wiring Diagram:



Standard Product with -20°C EM and CEA-RDB Wiring Diagram:



MaxLite® WallMax Compact Open Face Wall Pack



CEA-RDB Accessory and c-Max Sensor Installation Instructions

1. Remove the 1/2 NPT KO plug on the side of the luminaire. (See Fig. 16)

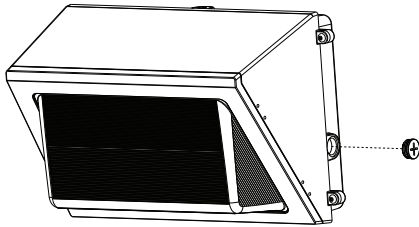


Fig. 16

2. Remove the existing gasket, and place WCF-WTC-CEA-GASKET onto the threaded nipple of the CEA-RDB accessory. (See Fig. 17)

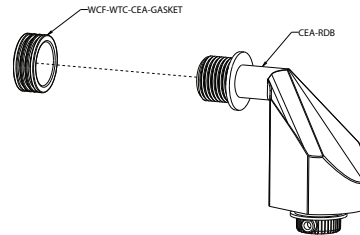


Fig. 17

3. Insert the CEA-RDB into the KO hole on the side of the luminaire. (See Fig. 18)

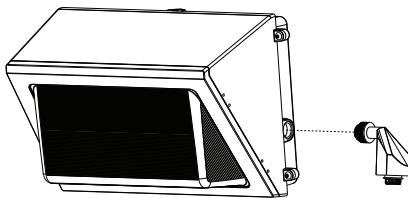


Fig. 18

4. Thread the CEA-RDB into the KO hole until the gasket is compressed and the bottom of the CEA is pointing down. (See Fig. 19)

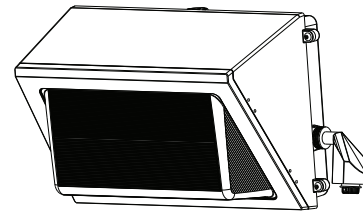


Fig. 19

5. Open the luminaire and make necessary wiring connections according to the diagrams on page 5.

6. Close the luminaire and remove the cover from the CEA-RDB. (See Fig. 20)

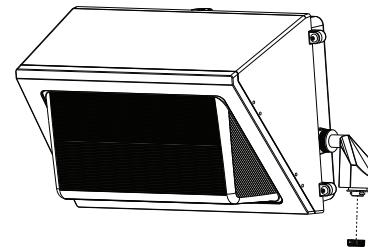


Fig. 20

7. Insert the required c-Max sensor onto the CEA-RDB USB-C receptacle. (See Fig. 21)

8. Secure the receptacle by twisting the outer ring on the sensor so that the arrows align. Lock the sensor in place by tightening the set screw. (See Fig. 22)

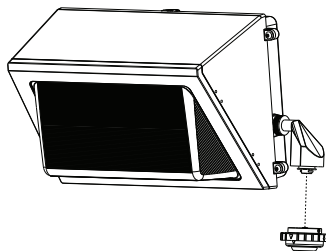


Fig. 21

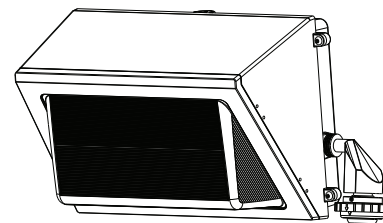
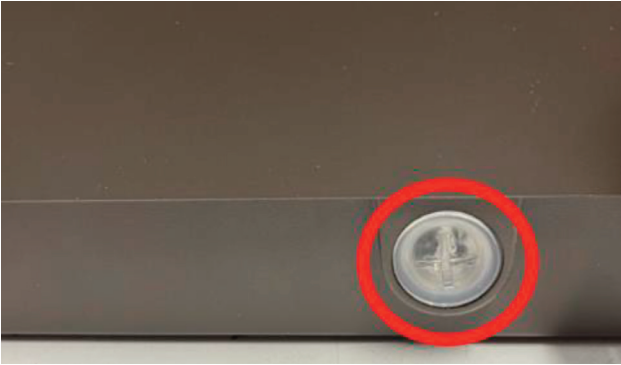


Fig. 22

MaxLite® WallMax Compact Open Face Wall Pack

**Setting Integral Photocontrol (PC) On/Off**

1. Remove the clear plastic ½ NPT KO plug using a slotted screwdriver. (See **Fig. 23**)

**Fig. 23**

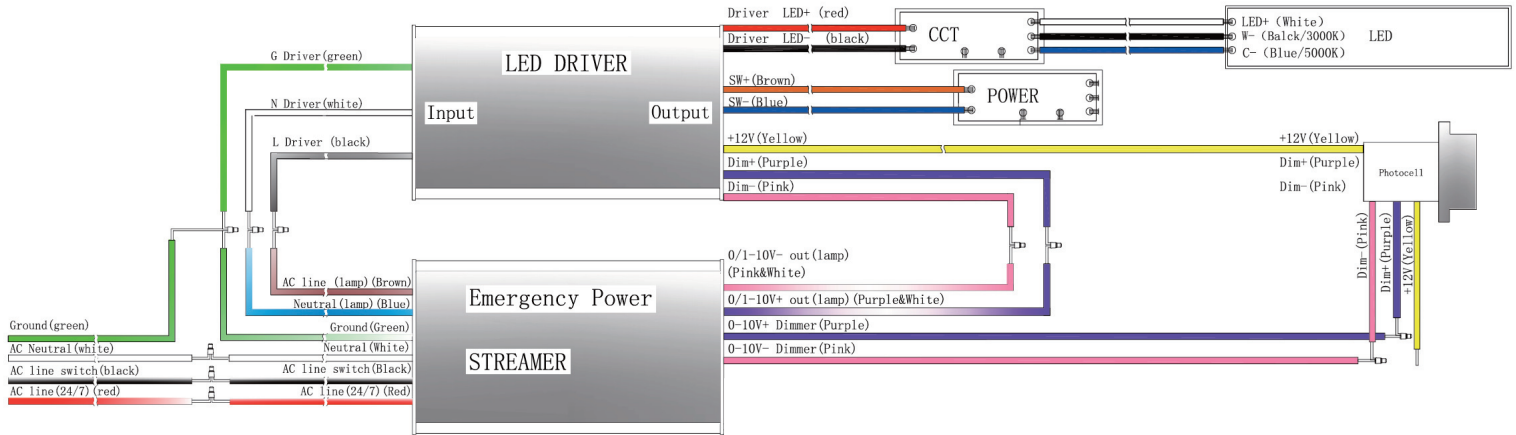
2. To turn the PC off, put the switch in the down ↓ position. To turn the PC on, put the switch in the up ↑ position. (See **Fig. 24**)

**Fig. 24**

MaxLite® WallMax Compact Open Face Wall Pack



EM2-REMOTE-MT Installation Instructions



1. Remove the 1/2 NPT KO plug from the side of the fixture. (See Fig. 25)

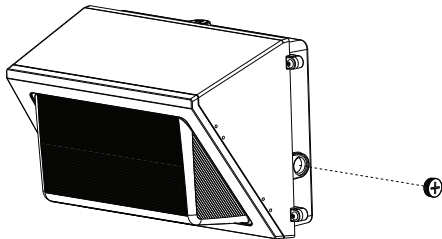


Fig. 25

2. Open the fixture and insert the wires and watertight connector into the KO hole. (See Fig. 26)

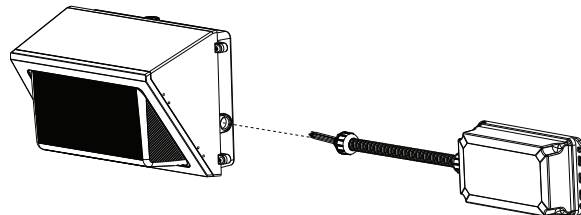


Fig. 26

3. Make wiring connections (refer to wiring diagram). Ensure the watertight connector is secured to the fixture. Secure the fixture and EM to the mounting surface with the appropriate hardware (not included). (See Fig. 27)

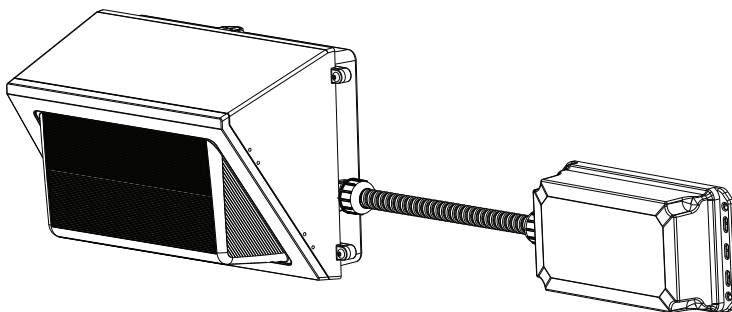


Fig. 27

MaxLite® WallMax Compact Open Face Wall Pack



Warranty Information

MaxLite Inc. warrants its products for a minimum period of **FIVE (5)** years from the date of original purchase from MaxLite or its authorized distributor/dealer (the "Warranty Period"), as follows: If a Product fails to operate during the Warranty Period as a result of defects in materials or workmanship, MaxLite will, at its option, repair it, replace it with the same or like Product.

Please refer to Maxlite's website (at <http://maxlite.com/resources/warranties>) for the complete terms and conditions of our warranty.

Limitation of Liability

THE FOREGOING WARRANTY IS EXCLUSIVE, AND IS THE SOLE REMEDY FOR ANY AND ALL CLAIMS, WHETHER IN CONTRACT, IN TORT OR OTHERWISE ARISING FROM THE FAILURE OF PRODUCT AND IS IN LIEU OF ALL OTHER WARRANTIES, EXPRESS OR IMPLIED, INCLUDING ALL WARRANTIES OF MERCHANTABILITY OR FITNESS FOR A PARTICULAR PURPOSE, WHICH WARRANTIES ARE HEREBY EXPRESSLY DISCLAIMED TO THE EXTENT PERMITTED BY LAW AND, IN ANY EVENT, SHALL BE LIMITED TO THE WARRANTY PERIOD SPECIFIED ABOVE. THE LIABILITY OF MAXLITE SHALL BE LIMITED TO THE TERMS OF THE EXPRESS WARRANTY SET FORTH HEREIN. IN NO EVENT WILL MAXLITE BE LIABLE FOR ANY SPECIAL, INCIDENTAL OR CONSEQUENTIAL DAMAGES INCLUDING, WITHOUT LIMITATION, DAMAGES RESULTING FROM LOSS OF USE, PROFITS, BUSINESS OR GOODWILL, LABOR COSTS, REMOVAL OR INSTALLATION COSTS, DECREASE IN THE LIGHT OUTPUT OF THE LAMP, AND/OR DETERIORATION IN THE LAMP'S PERFORMANCE, WHETHER OR NOT MAXLITE HAS BEEN ADVISED OF THE POSSIBILITY THEREOF. UNDER NO CIRCUMSTANCES SHALL MAXLITE'S ENTIRE LIABILITY FOR A DEFECTIVE PRODUCT EXCEED THE PURCHASE PRICE OF THAT PRODUCT. WARRANTY SERVICES PROVIDED UNDER THESE TERMS AND CONDITIONS DO NOT ENSURE THE UNINTERRUPTED OPERATION OF PRODUCTS; MAXLITE SHALL NOT BE LIABLE FOR DAMAGES CAUSED BY ANY DELAYS INVOLVING WARRANTY SERVICE.

This Limited Warranty gives you specific legal rights and you may also have other rights that may vary from state to state. Because some states or jurisdictions do not allow the exclusion or limitation of liability for consequential or incidental damages, this limitation may not apply to you.