

PROJECT NAME: _____ CAT. #: _____
 NOTES: _____ FIXTURE SCHEDULE: _____

WIRELESS SELF-POWERED DIMMING WALL CONTROLLER

Overview:

c-Max Network Partners features additional networked lighting controls proposition that seamlessly combines MaxLite's broad c-Max controls ready luminaires with other technology partners control systems. This new wireless offering extends MaxLite's c-Max Lighting controls solutions to now include Silvoir's Bluetooth NLC and DLC 5.0 qualified system featuring a globally interoperable lighting controls ecosystem. Multiple offering using the patented c-Max USB-C ports presents customers with controls agnostic technology choices to fit their controls and IoT needs. Built on the value proposition of c-Max controls architecture, it now brings scalable lighting controls in an affordable manner.



WNS1RK-W



WNS2RK-W

Applications:

- Offices
- Hospitals
- Schools
- Warehouses
- Industrial
- Retail

Features:

- The wireless self-powered wall controllers provide automatic lighting control for a variety of indoor applications
- These devices do not require wires or batteries; they utilize an integrated microgenerator powered Bluetooth BLE transmitter to send a wireless signal
- Easy Commissioning with Silvoir App (Available in iOS and Android)
- Suitable where running power or control wiring is impossible or undesirable
- Standard decora style opening allow for easy multi-gang installations.
- The single-button unit provides ON/Raise and OFF/Lower for one zone of lighting
- The dual-button unit provides ON/Raise and OFF/Lower for one zone of lighting on the left switch. The right switch is for presets A (top) or preset B (bottom) or for tunable white - warm (top) cool (bottom)
- Check <https://www.maxlite.com> for c-Max fixture compatibility
- 5 Year Warranty

Specifications

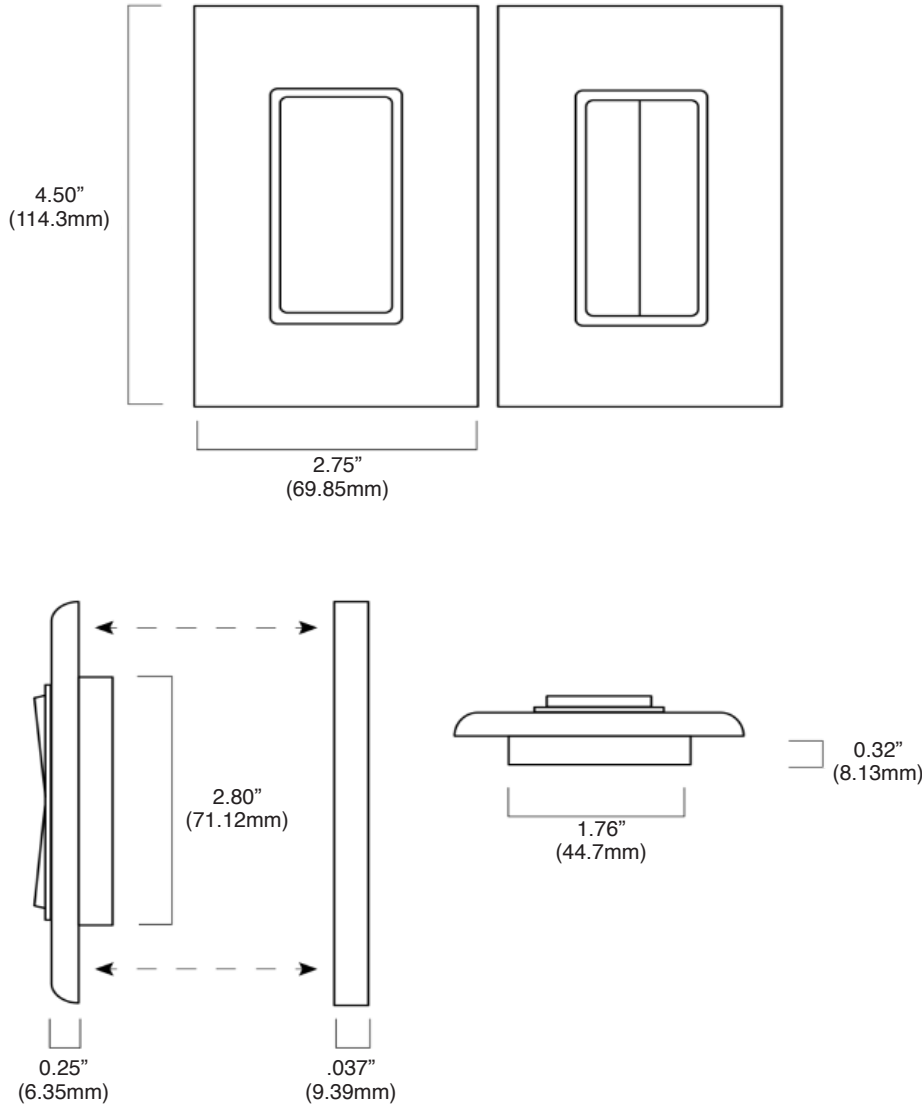
PRODUCT TYPE	Wall Controller
INPUT VOLTAGE	Self-Powered
MOUNTING	Surface or Flush Mount
MAX BLUETOOTH RANGE	30ft (9.14m)
OPERATING TEMPERATURE	-13°F to 150°F / -25°C to 65°C
RELATIVE HUMIDITY	90-95% non-condensing at 30°C
COLOR	WHITE

Ordering Information

MODEL NUMBER	DESCRIPTION	UPC	ORDER CODE
WNS1RK-W	NETWORK ENOCEAN/BLE 2.4GHz SINGLE ROCKER KINETIC WALL SWITCH WHITE	767627058400	111135
WNS2RK-W	NETWORK ENOCEAN/BLE 2.4GHz DOUBLE ROCKER KINETIC WALL SWITCH WHITE	767627058417	111136

WIRELESS SELF-POWERED DIMMING WALL CONTROLLER

PRODUCT DIMENSIONS

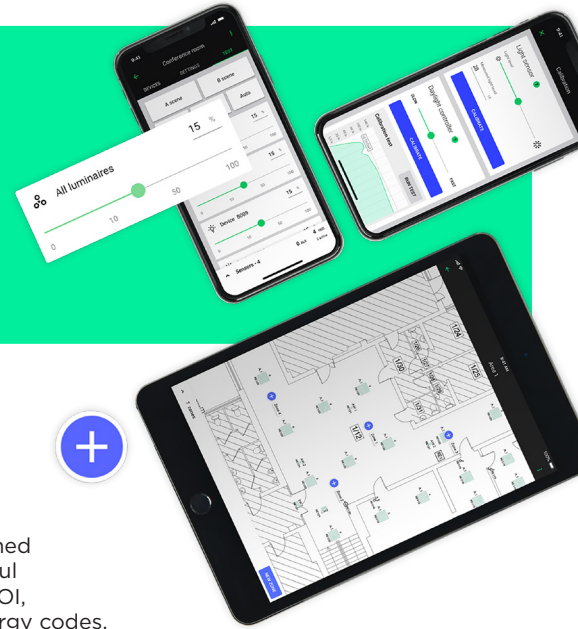


WIRELESS SELF-POWERED DIMMING WALL CONTROLLER

Technology Partner

SILVAIR

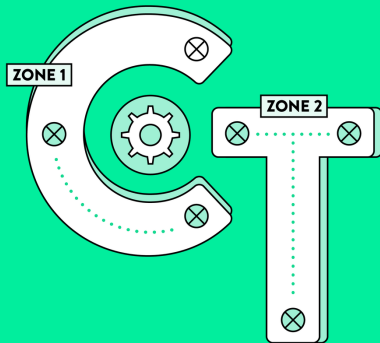
Silvair provides a reliable lighting control technology based on the globally interoperable Bluetooth mesh standard. Whether you are a component manufacturer, a facility manager, or an energy service company, you can easily deploy our solutions to strengthen your competitive advantage and create new revenue streams.



Commissioning tools for installers

Advanced strategies have never been easier

We provide intuitive apps for standard-compliant Bluetooth mesh lighting networks. Designed to support large-scale installations deployed in commercial environments, they offer powerful commissioning, fine-tuning, and everyday management features. The bottom line is faster ROI, shortened path to advanced control strategies, and facilitated compliance with building energy codes.



Plan every detail from the comfort of your desk

Silvair Applications

[Web App](#)

[iOS App](#)

[Android App](#)