

PROJECT NAME: _____
NOTES: _____

CAT. #: _____
FIXTURE SCHEDULE: _____

120-277V c-MAX NETWORK AC WALL SWITCHES



WNS3U-W



WNS7U-W

c-Max Overview

c-Max network lighting controls features a patented plug-and-play interface that allows for easy field installation of low voltage nodes and sensors to create an affordable luminaire lighting control solution. Sensors integrated with occupancy, daylight harvesting, and other control capabilities help achieve energy code compliance.

Applications:

- Offices
- Conference Rooms
- Schools/Universities
- Hospitals
- Media Centers

Features

- AC powered 120-277V
- Personal Control allowing users to set and adjust dimming light levels for individual or a group of lights.
- Ability to create and link 4 scenes per wall switch (WNS7U-W model only)
- Local Bluetooth Network with no gateway needed
- Easy commissioning via c-Max App (iOS and Android)
- Check <https://www.maxlite.com/cmax> for c-Max fixture compatibility
- 5 Year Warranty

Ordering Information

MODEL NUMBER	DESCRIPTION	UPC	ORDER CODE
WNS3U-W	120-277V NETWORK (BLUETOOTH) 3-BUTTON WALL SWITCH	767627041907	109498
WNS7U-W	120-277V NETWORK (BLUETOOTH) 7-BUTTON WALL SWITCH	767627041914	109499

OPERATING VOLTAGE	120-277V
OPERATING FREQUENCY	50/60Hz
HOUSING MATERIAL	UL 94-5VA
RADIO FREQUENCY	2.4GHz ± 75MHz
WIRELESS STANDARD	BLE MESH
PROGRAMMING	c-Max Mobile App (iOS and Android)
CYBERSECURITY	UL1376 Gold Rating
ENCRYPTION	AES 128-bit
MESH RANGE	100ft node-to-node and 50ft node-to-device (Commissioning)
SAFETY	UL Listed E531769 Appliance Controls
FCC	FCC ID: 2AZRDCMAX2021
BQB	D055367
OPERATING TEMPERATURE	32°F to 104°F / 0°C to 40°C
ENVIRONMENT	Indoor Use Only
WARRANTY	5 years

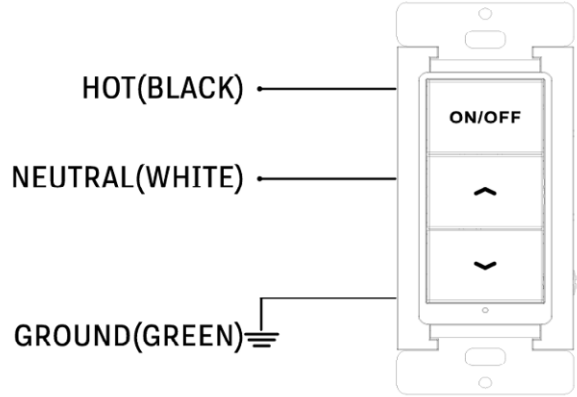
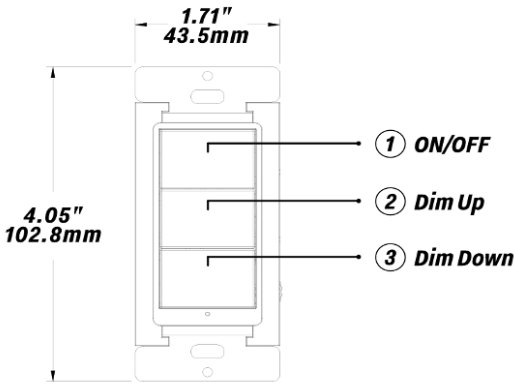


5-year standard warranty (further details available at www.maxlite.com/warranties)

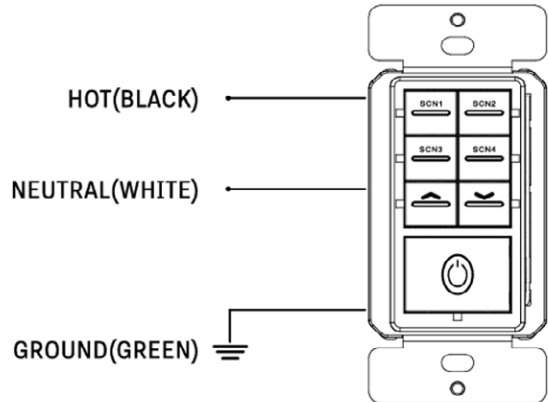
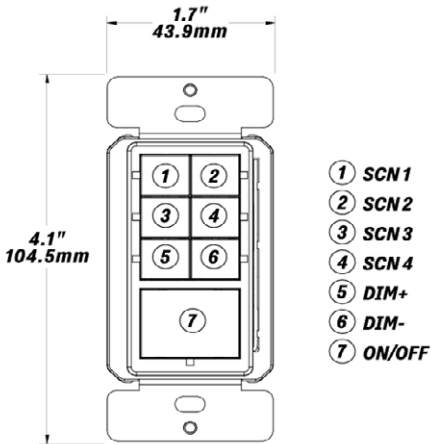
120-277V C-MAX NETWORK AC WALL SWITCHES

Wiring Diagram

WNS3U-W



WNS7U-W



Commissioning

c-Max mobile App makes it easy to pair devices, create groups, set scenes/schedules, customize dimming levels, and adjust high trim based on application needs.

Visit www.maxlite.com/cmox for How-to-Videos and a comprehensive commissioning guide.

