

PROJECT NAME: _____ CAT. #: _____
 NOTES: _____ FIXTURE SCHEDULE: _____

Wireless Wall Switch - 5 Button



c-Max Overview

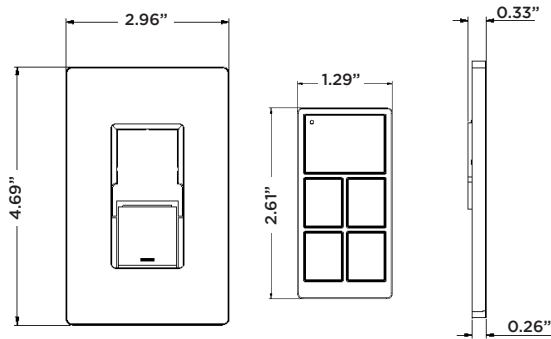
c-Max Network lighting controls features a patented plug-and-play interface that allows for easy field installation of low voltage nodes and sensors to create an affordable luminaire lighting control solution. Sensors integrated with occupancy, daylight harvesting, and other control capabilities help achieve energy code compliance.

Features and Benefits

- Personal Control allowing users to set and adjust dimming light levels for individual or a group of lights.
- Easy commissioning via c-Max App (IOS and Android)
- Ability to create and link three scenes per wall switch
- DC powered, 2x CR2032 batteries included
- Surface or Junction box mounted
- 5 Year Warranty

Product Dimensions

WNS5-W



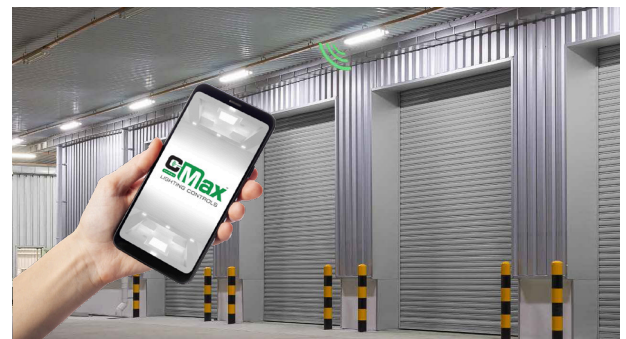
Specifications

OPERATING VOLTAGE	3V (2x CR2032 included)
FLAME RATING	UL 94 V-0
CONTROL TECHNOLOGY	Bluetooth
WIRELESS STANDARD	BLE 4.2 MESH IEEE 802.15.1
PROGRAMMING	c-Max Mobile App (IOS and Android)
CYBERSECURITY	UL1376 Gold Rating
ENCRYPTION	AES 128-bit
MESH RANGE	100ft node-to-node and 50ft node-to-device (Commissioning)
FCC	FCC ID: 2AZRDCMAX2021
OPERATING TEMPERATURE	14°F to 113°F / -10°C to 45°C
COLOR	White
WEIGHT (NO BATTERY)	2.1oz (60g)

Commissioning

c-Max mobile App makes it easy to pair devices, create groups, set scenes/schedules, customize dimming levels, and adjust high trim based on application needs.

Visit www.maxlite.com/cmox for How-to-Videos and a comprehensive commissioning guide.



5-year standard warranty (further details available at www.maxlite.com/warranties) Product may be eligible for a warranty extension to 10 years, for an additional fee. Contact MaxLite for details.