



Works with Most Smart Home Hubs



Product Description

The Smart Wall Plug allows you to control a variety of devices, including table-top fans and Christmas tree lights, directly from most common smart home hubs like google and alexa. Enjoy the convenience of managing your devices effortlessly and remotely, all with a simple tap on your smartphone.

Features

- Product color: White

Specifications

	WP-SMTR
OPERATING VOLTAGE	Max 125V AC
NOMINAL INPUT FREQUENCY	60Hz
OUTPUT POWER	Max 1250W
LINE CURRENT	Max 10A
HOUSING	Polycarbonate
CERTIFICATIONS	ETL & FCC
SAFETY	Conforms to UL STD.498A and UL60730-1. Certified to CSA STD C22.2 NO 42 AND E60730-1
OPERATING TEMPERATURE	32° F to 104° F
ENVIRONMENT	Indoor Use only
WARRANTY	1 year
PROGRAMMING	Wireless supporting 2.4 GHz. Remote Control Devices through 3G, 4G or Wi-Fi LTS SMART App 1.0.1 or higher (iOS and Android)
COLOR	White
WEIGHT	2.1 OZ
RADIO FREQUENCY	2.4GHz Wi-Fi

Ordering Information

MODEL NUMBER	ORDER CODE
WP-SMTR	110369



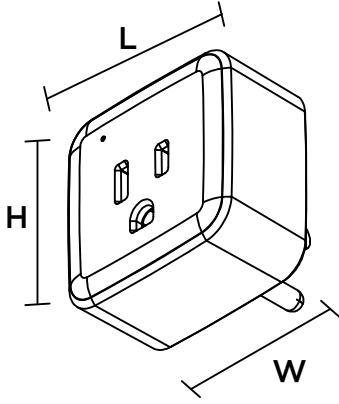
1-year standard warranty (further details available at www.maxlite.com/warranties) Contact MaxLite for details.



Works with Most
Smart Home Hubs



Product Dimensions



MODEL	L (INCH)	W (INCH)	H (INCH)
WP-SMTR	2	2	1.1 (excluding the pins)

FCC Regulatory Statements

This device complies with part 15 of the FCC Rules, Operation is subject to the following two conditions: (1) This device may not cause harmful interference, and (2) this device must accept any interference received, including interference that may cause undesired operation.