

PROJECT NAME: _____
 NOTES: _____

CAT. #: _____
 FIXTURE SCHEDULE: _____

WallMax Full Cutoff Wall Pack



15-28W MODELS



BLACK & WHITE FINISH OPTIONS



40-100W MODELS



CCT SWITCH



PHOTOCELL

Product Description:

WallMax Cutoff Wall Packs are a full cutoff architectural wall mounted fixture ideal for commercial offices, schools and other public administrative buildings. It offers a wide range of options including CCT and wattage selectability, integral photocell and c-Max controls ready port.

Features:

- CCT selectable between 3000K, 4000K or 5000K
- Wattage Selectable versions
- Sealed housing - control nodes are mounted internally without impacting the fixture sealing or aesthetics
- 4 x 1/2" conduit holes, one on each side for surface conduit applications

Controls Options:

- Integral photocell with on/off switch included standard
- Controls Ready for field installable c-Max controls

Construction:

- Die Cast Aluminum housing with UV stabilized and vandal resistant polycarbonate LED lens

Listings:

- UL listed for Wet Locations, Outdoor
- IP65

Ordering Structure

FAMILY	WATTAGE	VOLTAGE	DISTRIBUTION	-	CCT	FINISH	CONTROLS OPTIONS	EM OPTIONS
WPC= WallMax Cutoff	15= 15W* 70= 70W*	U= 120-277V	T4= Type IV	-	CS= 3/4/5K Selectable* WCS= 3/4/5K Selectable & Wattage Selectable	B= Dark Bronze L= Black W= White	PCCR= Photocell (On/Off) Switch & Controls Ready (Standard)	BLANK= None E0= Battery Backup 0°C E2= Battery Backup -20°C
	70= 70W	H= 277-480V			CS= 3/4/5K Selectable			

* Dedicated Wattage only

FAMILY	WATTAGE	VOLTAGE	DISTRIBUTION	-	CCT	FINISH	CONTROLS OPTIONS	EM OPTIONS	OPTIONS
WPC= WallMax Cutoff	59= 59W*	U= 120-277V	BLANK= Type IV	-	CS= 3/4/5K Selectable*	B= Dark Bronze L= Black W= White	PCCR= Photocell (On/Off) Switch & Controls Ready (Standard)	BLANK= None E2= Battery Backup -20°C	BLANK= None S= 20kA Surge Protector TA= TAA Compliant
	20= 10/16/20W 28= 15/20/28W 40= 20/30/40W	U= 120-277V			WCS= 3/4/5K Selectable & Wattage Selectable	Contact Maxlite for additional finishes.	(See accessory chart for control choices)	BLANK= None E2= Battery Backup -20°C	
	100= 84/90/100W	U= 120-277V H= 277-480V						BLANK= None	

* Dedicated Wattage only

DLC Listings

MODEL NUMBER	ORDER CODE	DLC ID #	MODEL NUMBER	ORDER CODE	DLC ID #	MODEL NUMBER	ORDER CODE	DLC ID #
WPC15UT4-CSBPCCR	108415	PIGOLZE3	WPC28U-WCSBPCCR	112568	S-4363L6	WPC70U-WCSBPCCR	112570	S-WMHQX7
WPC16U-CSBPCCR	112566	S-G9TDYZ	WPC40U-WCSBPCCR	112569	S-HG50P7	WPC84U-CSBPCCR	113199	S-XLRL2C
WPC20U-WCSBPCCR	112567	S-4363L6	WPC59U-CSBPCCR	113075	S-F801YV	WPC100U-WCSBPCCR	112571	S-N84X10



WallMax Full Cutoff Wall Pack

Accessories

MODEL #	ORDER CODE	DESCRIPTION	IMAGE
CN-RTMST*	105564	C-MAX RECTANGULAR MOTION SENSOR/PC, REQUIRES REMOTE CONTROL TO PROGRAM	
CN-REMOTE	105567	C-MAX REMOTE CONTROL, AT LEAST ONE REQUIRED PER PROJECT TO PROGRAM MOTION SENSOR	
CEA-RDB	107785	C-MAX EXTERNAL ADAPTER ROUND, BRONZE	
CEA-RDW	106903	C-MAX EXTERNAL ADAPTER ROUND, WHITE	
NN-RDB	105897	C-MAX NETWORK CONTROL NODE ROUND, BRONZE	
NN-RDW	106391	C-MAX NETWORK CONTROL NODE ROUND, WHITE	
NN-RDMPB	108255	NETWORK NODE ROUND, PIR MOTION SENSOR, PHOTOCELL, BRONZE	
NN-RDMPW	109924	NETWORK NODE ROUND, PIR MOTION SENSOR,PHOTOCELL, WHITE	
EM2-REMOTE-MT	111294	FIELD INSTALLABLE REMOTE MOUNT - 20°C BATTERY BACKUP (FOR UNIVERSAL (120-277V) PRODUCTS ONLY)	

*Recommend using fixture PC instead of PC function in c-Max.

Specifications

	WPC15	WPC20*	WPC28*	WPC40*	WPC70*	WPC100*
Nominal Wattage (W)	15W	10/16/ 20W	15/20/ 28W	20/30/ 40W	50/59/ 70W	84/90/ 100W
Output (lm)	2,140-2,340	3,010-3,240	4,000-4,200	5,960-6,360	9,640-10,990	13,080-14,500
Efficacy (lm/W)	133-149	139-157	137-150	146-163	142-157	130-145
CCT	Selectable between 3000/4000/5000K					
CRI	≥80					
L70 Lifetime (hrs)	>100,000					
Voltage	120-277V	120-277V	120-277V	120-277V	120-277V	120-277V (277-480V available, 84/90/100W)
Power Factor	≥0.9					
Dimming	0-10V and high-end trim (with c-Max Controls)					
Surge Protection	6kV					
Controls	C-Max Compatible Standard (CR), integral photocell with on/off switch					
Battery Backup	120V or 277V only, 800-900 lumens, 1fc minimum in 10'x10' grid at 10-11' mounting height, 0°C 16W, -20°C 14W. During EM mode the product will operate at 5000K only.					
Operating Temperature	-40°F to 122°F (-40°C to 50°C)					
Certification	cULus, DLC Premium, FCC and RoHS Compliant					
Construction	Die Cast Aluminum housing with corrosion resistant polyester paint and UV stabilized impact resistant polycarbonate lens					
Environment	Outdoor Wet Location and IP65					
Warranty	10 Year warranty. Check maxlite.com/warranties for details.					

*Wattage Selectable versions, bold indicates default setting. See Lumen Chart below for lumens at other settings.

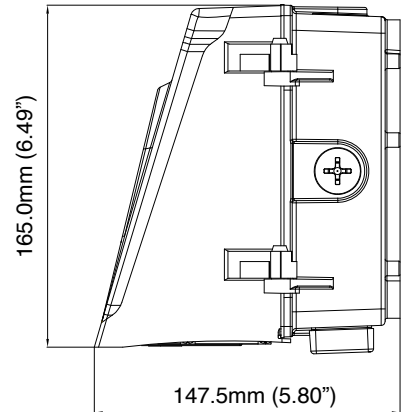
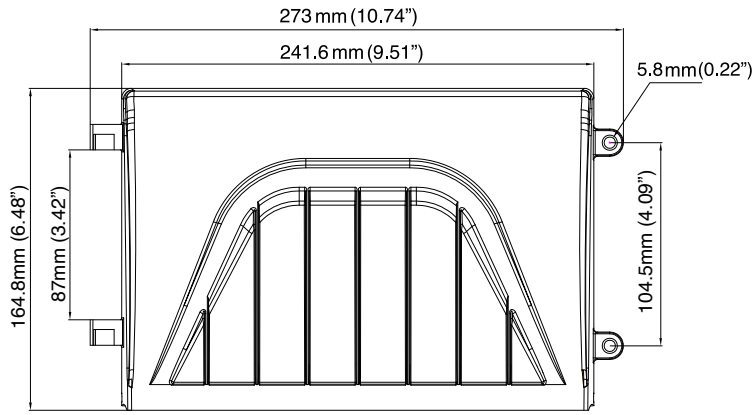
WallMax Full Cutoff Lumen chart

WATTAGE*	3000K	4000K/5000K	WATTAGE*	3000K	4000K/5000K	WATTAGE*	3000K	4000K/5000K
10W (20W)	1,390	1,570	30W (40W)	4,380	4,890	84W (100W)	10,920	12,180
15W (28W)	2,050	2,250	50W (70W)	7,100	7,850	90W (100W)	11,700	13,050
16W (20W)	2,220	2,510	59W (70W)	8,370	9,260			

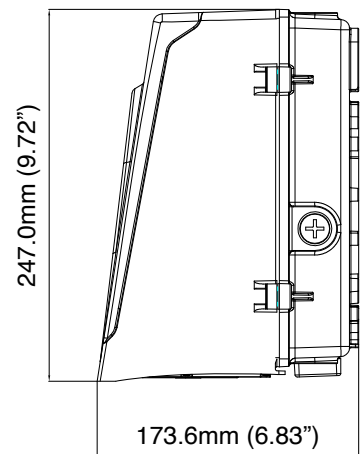
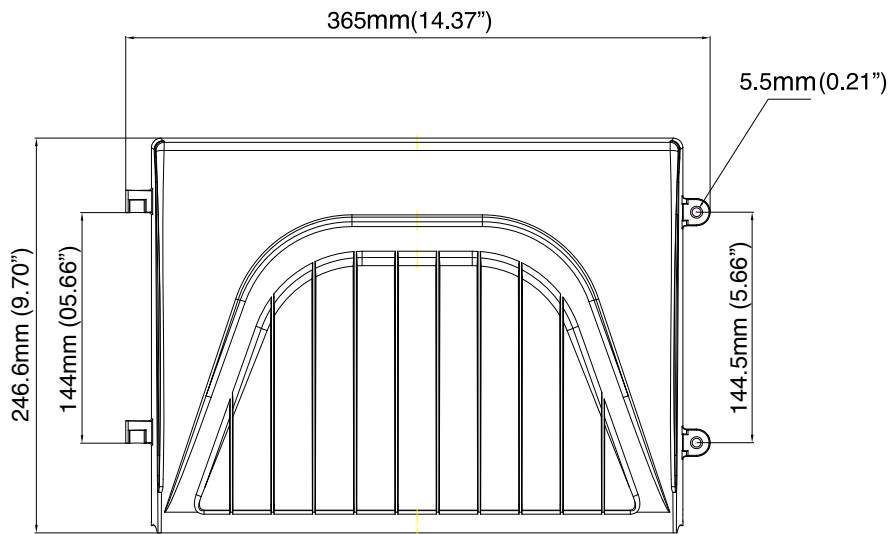
*Number in parenthesis is highest (default) setting for wattage selectable versions.

WallMax Full Cutoff Wall Pack

Dimensions



15-28W MODELS



40-100W MODELS