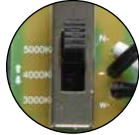


WALLMAX™ LARGE CUTOFF
WPCL SERIES



Built in level helps ensure straight mounting



CCT Selectable switch
Choose between 3K, 4K or 5K

PRODUCT DESCRIPTION:

WallMax Cutoff Wall Packs are a full cutoff architectural wall mounted fixture ideal for commercial offices, schools and other public administrative buildings. It offers a wide range of outputs and options including CCT selectability so the customer can choose between 3000K, 4000K and 5000K color temperatures.



FEATURES:

- 120V-277V, 347V-480V available
- 0-10V dimming
- Color Selectable between 3000K, 4000K or 5000K

CONTROL OPTIONS:

- Photocontrol (120V-277V)
- Dimmable motion sensor with photocontrol (requires RMRC-100 remote control to program)

INSTALLATION:

- 1/2" threaded conduit hole in the center of the back housing
- 5 1/2" threaded conduit holes, one on each side of the back housing and 2 on the top of the housing
- Built in level helps ensure straight mounting

CONSTRUCTION:

Die Cast Aluminum housing with polycarbonate LED lens

WARRANTY:

10-year standard warranty with labor allowance* (further details available at www.maxlite.com/warranties)

*Warranty Limitations: Product must be rated for the application per the Product Data Sheet (PDS); operated ≤16 hrs; in ambient of -29°F to 104°F.

*Up to \$25/unit; labor allowances of up to \$500/unit available for purchase – contact MaxLite representative for details.

ORDER STRUCTURE

FAMILY	WATTAGE	VOLTAGE	DISTRIBUTION	CCT	FINISH	OPTIONS ¹
WPCL= WallMax Cutoff	40= 40W 70= 70W 100= 100W	U= 120-277V H= 347-480V	T4= Type IV	CS= CCT Selectable (3K, 4K, 5K)	B= Bronze Contact MaxLite for additional finishes	EM0= Battery Backup, 0°C, 120V or 277V only EM2= Battery Backup, -20°C, 120V or 277V only MS ² = PIR Daylight/Motion Sensor PC= 120-277V Button Photocontrol

NOTES:

¹EM and MS can be selected together

²MS includes PC function, internal for 120-277V, external for 347-480V, requires FSIR-100 remote control to program (at least one per job location)

ACCESSORY

ORDER CODE	MODEL NUMBER	DESCRIPTION	IMAGE
104799	RMRC-100	REMOTE CONTROL FOR SHARKWARD PRODUCTS, RANGE 50FT INDOORS, NO BACKLIGHT	

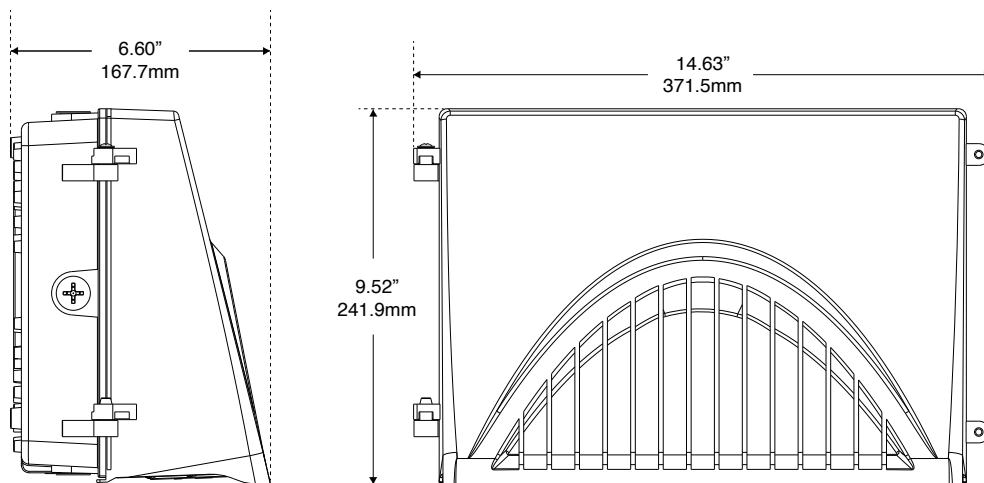
ORDER CODES

ORDER CODE	MODEL NUMBER	DLC ID NUMBER	DLC CATEGORY	WATTAGE	CCT
104033	WPCL40UT4-CSB	PW02WM7F	Outdoor Full-Cutoff Wall-Mounted Area Luminaires	40W	3000K, 4000K, 5000K (Default setting 4000K)
104034	WPCL70UT4-CSB			70W	
104035	WPCL100UT4-CSB			100W	

SPECIFICATIONS

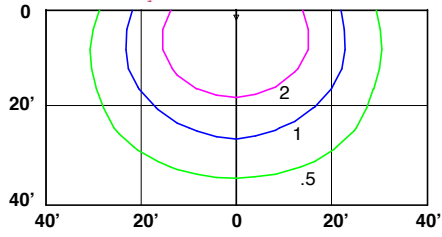
		40W	70W	100W
ITEM	SPECIFICATION	DETAILS		
GENERAL PERFORMANCE	Power Consumption (W)	40W	70W	100W
	Lumens Delivered (lm)	5,225 lm	8,872 lm	12,746 lm
	Efficacy (lm/W)	≤124 lm/W	≤123 lm/W	≤124 lm/W
	CRI	>80		
	Color Temperature (K)	3000K, 4000K, 5000K (Default setting 4000K)		
	Distribution	Type IV		
	Lumen Maintenance L70	≥130,000 hours		
ELECTRICAL	Input Voltage	120-277V standard; 347-480V available		
	Dimming	0-10V, dimming up to 10%		
	Battery Backup	120V or 277V only, 800-900 lumens, 1 fc minimum in 10' x 10' grid at 10-11' mounting height		
PHYSICAL	Housing	Die-Cast Polyester Aluminum		
	Mounting	Fits electrical box or mount directly		
	Lens	Polycarbonate		
	Operating Temperature	-40°F-104°F (-40°C-40°C)		
	Humidity	10-90% RH, non-condensing		
CERTIFICATION	Certification	DLC Premium, cETLus, IP65, FCC	cETLus, IP65, FCC	
	Material Usage	RoHS compliant; no mercury		
	Environment	Outdoor wet location		
	Warranty	10-year standard warranty		

DIMENSIONS

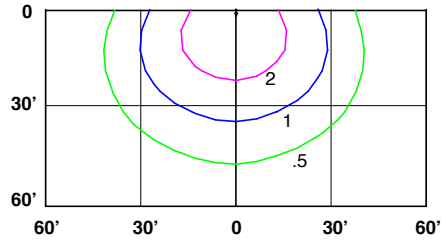


PHOTOMETRIC LAYOUTS*

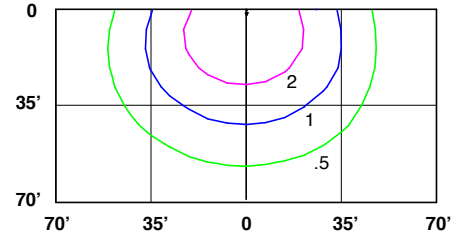
*Units in FC



40W
20' Mounting Height



70W
30' Mounting Height



100W
35' Mounting Height