



PROJECT NAME: _____
 NOTES: _____

CAT. #: _____
 FIXTURE SCHEDULE: _____

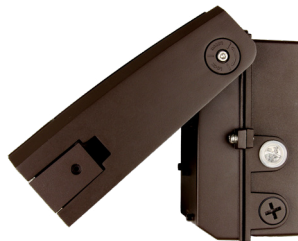
WallMax Adjustable Thin Cutoff Series



15-29W



50-120W



Product Description:

The WallMax Thin Cutoff is a versatile full cutoff wall fixture with an aesthetically pleasing look. It offers CCT and wattage selectability as well as changeable lenses. The housing is adjustable empowering the customer to create a variety of distribution patterns. Included standard is a photocell that can be turned on or off by the customer. This family covers a wide lumen range in 2 housing sizes. There is a battery backup option as well as the ability to add c-Max controls. Best of all, it is in the Value Series family bringing you many features in a price competitive package.

Features:

- CCT (3000K, 4000K or 5000K) and wattage selectable
- Changeable lenses combined with 0-90° adjustable housing create multiple distribution choices
- Universal Voltage: 120-277V
- Battery Backup option
- Compatible with c-Max (see accessories)
- Photocell included standard

Construction:

- Die cast aluminum housing with corrosion resistant polyester powder coat finish
- UV stabilized impact resistant polycarbonate changeable lens

Ordering Structure

FAMILY	FIXED WATTAGE (NOMINAL)	VOLTAGE	-	CCT	COLOR	CONTROLS OPTIONS	EM OPTIONS
WTC= WallMax Thin Cutoff Wallpack	15= 15W 50= 50W	U= Universal 120-277V	-	CS= 3/4/5K	B= Dark Bronze Contact MaxLite for additional finishes	PC= 120-277V Photocell included standard with on/off switch	E2= Battery Backup -20°C (factory installed)
	WATTAGE SELECTABLE (NOMINAL)			WCS= 3/4/5K, Wattage Selectable			
	25= 15/20/25W 29= 20/25/29W 75= 50/60/75W 120= 80/100/120W						

Type 4 lens standard, see accessories for Type 3 lens

DLC 5.1 Premium

MODEL SERIES	DLC PRODUCT ID	PRIMARY USE DESIGNATION
WTC15	S-M72LPL	Outdoor Non-Cutoff and Semi-Cutoff Wall-Mounted Area Luminaires
WTC25	S-1LYN9T	
WTC29	S-JLCKSM	
WTC50	S-83Z70L	
WTC75	S-89Q2FV	
WTC120	S-SZSVRB	



5-year standard warranty (further details available at www.maxlite.com/warranties)

WallMax Adjustable Thin Cutoff Series

Accessories

MODEL NUMBER	ORDER CODE	DESCRIPTION	IMAGE
EM2-REMOTE-MT	111294	Field Installable Outdoor Battery Backup 120-277V (alternative to factory installed battery backup)	
WTC-T3LENS-SMALL	111242	FIELD INSTALLABLE TYPE III LENS FOR WTC 15-29W	
WTC-T3LENS-LARGE	111243	FIELD INSTALLABLE TYPE III LENS FOR WTC 75-120W	
CEA-RDB	107785	c-Max external adaptor bronze (white also available), must also use WCF-WTC-CEA-GASKET, enables use of c-Max round control nodes (www.maxlite.com/cmox)	
WCF-WTC-CEA-GASKET	111248	Gasket must be used with CEA-RDB	

Specifications

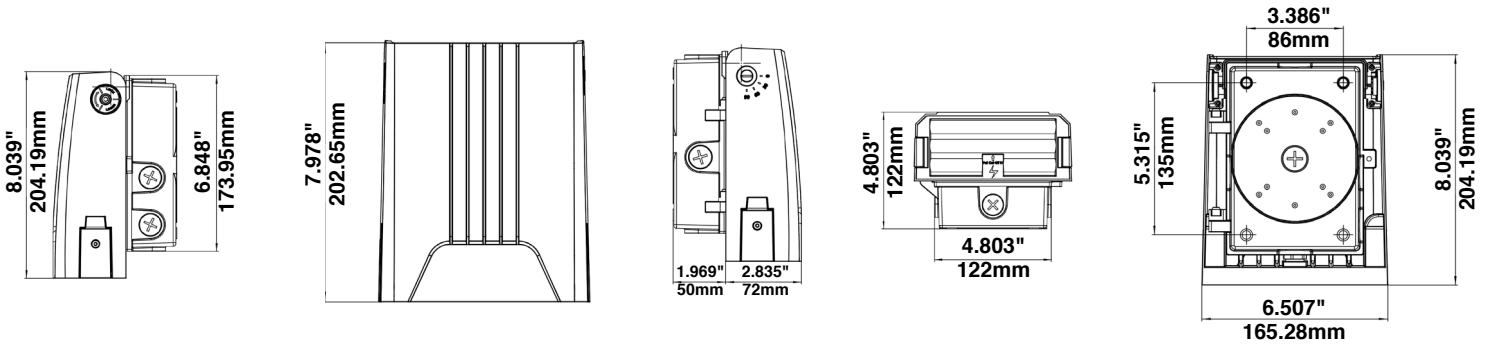
	WTC15	WTC25	WTC29	WTC50	WTC75	WTC120
Nominal Wattage (W)	15	25 = 15/20/25	29 = 20/25/29	50	75 = 50/60/75	120 = 80/100/120
Output (lm) - Highest setting		3,430-3,710	4,010-4,300		9,600-10,970	15,260-17,230
Output (lm) - Middle setting	2,110-2,280	2,720-3,070	3,430-3,710	7,030-7,540	7,530-8,880	12,540-14,600
Output (lm) - Low setting		2,110-2,280	2,720-3,070		7,030-7,540	10,030-11,680
Efficacy (lm/W)	138-151	136-153	134-150	141-151	126-151	125-146
CCT	Selectable between 3/4/5K*					
CRI	>80					
Dimming	0-10V					
Controls	Integral Photocell (can turn on or off), c-Max compatible using CEA accessory					
Power Factor	>.90					
Input Voltage	120-277V					
Surge Protection	6kV					
Equivalency	50W	100W	150W	175W	250W	400W
Operating Temperature	-40°C/40°F - 50°C/122°F (based on outdoor dusk to dawn operation in non-hazardous applications)					
Lumen Maintenance (L70)	>100,000 hrs					
Housing	Die cast aluminum with corrosion resistant polyester powder paint finish					
Lens	UV stabilized, impact resistant polycarbonate					
Listings	UL, FCC, DLC 5.1 Premium					
Environment	Wet Locations and IP65					
Warranty	5 years					

* Fixtures are set at highest wattage and at 5000K

WallMax Adjustable Thin Cutoff Series

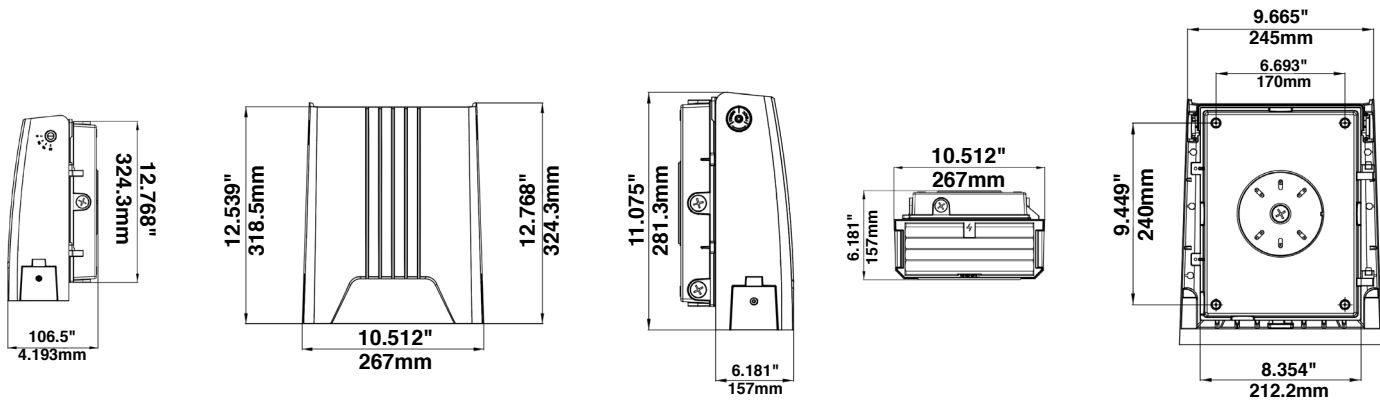
Dimensions

15-29W



Dimensions

50-120W



WallMax Adjustable Thin Cutoff Series

Photometric Footprint

ISOFOOTCANDLE:

Each gridline represents one mounting height.
 For mounting heights other than noted multiply FC by the below factor.

$$\text{Factor} = \frac{\text{Chart's Mtg Height}^2}{(\text{Actual Mtg Height})^2}$$

Layouts based on 3000K.
 Results are 3-5% more for 4000/5000K.
 Consult IES file for more precise calculations.

LEGEND

- 0.1 fc
- 0.2 fc
- 0.5 fc
- 1 fc
- 2 fc

