

**PATHMAX™ LED BOLLARDS**  
**CLASSIC SERIES 42" FLAT TOP**



Shown with cone reflector



Shown with louvers



Shown with glare shield



**PRODUCT DESCRIPTION:**

The round Classic LED Bollard is an economical and energy efficient choice for lighting walkways, plazas and other pedestrian areas in commercial and residential applications.

**FEATURES:**

- 120-277V with dimming capability
- CRI >=80
- 5 year limited warranty
- Calculated L70 @ 25° C = 147 , 000 hours

**CONSTRUCTION:**

- Extruded Aluminum housing
- Clear Polycarbonate lens
- An optional GFCI can be installed and centered 12" from the top of the shaft

**ENVIRONMENT:**

- CSA Group for wet locations
- IP65 rated Optical system

**INSTALLATION:**

- Flush Mounting Base with Vandal Resistant Screws
- Installation Kit with 8" Anchor Bolts Included



MODEL SELECTION						Typical order example: BL-CLRF17U-40B					
BL	-	CL	RF	17	U	-		B			
FAMILY	-	SUB FAMILY	SHAPE	WATTAGE	VOLTAGE	-	COLOR TEMPERATURE	FINISH	DISTRIBUTION	HEIGHT	OPTIONS
BL= Bollards	-	CL= Classic Series	RF= Round Flat	17= 17W	U= 120-277V	-	30= 3000K, CRI 80+ 40= 4000K, CRI 80+ 50= 5000K, CRI 80+	B= Bronze <i>Contact MaxLite for additional finishes</i>	(Blank)= Wide Beam T3= Type 3, Cone Reflector LR= Louver	(Blank)= 42" <i>Contact MaxLite for custom lengths</i>	(Blank)= None GF= GFCI Outlet, 15A, 120V GS= 180 degree glare shield

**SPECIFICATIONS:**

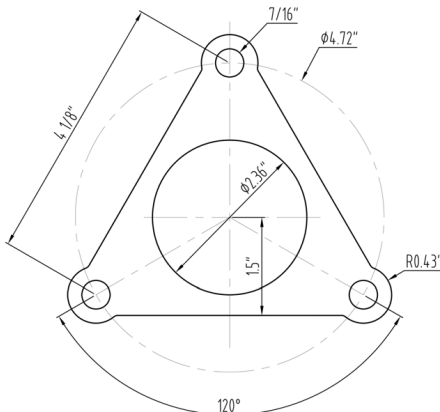
ITEM	SPECIFICATION	DETAILS		
		BL-CLRF17U-XXX	BL-CLRF17U-XXXT3	BL-CLRF17U-XXXBLR
<b>GENERAL PERFORMANCE</b>	Input Power (W)	17W		
	Lumens Delivered (lm)	1,225 - 1,519	918 - 1,081	689 - 778
	Efficacy (lm/W)	up to 89	up to 64	up to 46
	CRI	>+80		
	BUG	B1-U3-G1	B0-U2-G1 / B0-U3-G1 ( 5000K only)	B1-U2-G1
<b>ELECTRICAL</b>	Power Factor	> 90%		
<b>CERTIFICATION</b>	Qualifications	CSA Group listed		
	Environment	Wet locations		
	Warranty	5 years		
	Operating Temperature	-40°F to 122°F		
	Humidity	10% - 90% RH, non condensing		

Lighting layouts and spacing criteria available upon request.

**REPLACEMENT PARTS:**

ORDER CODE	MODEL	DESCRIPTION	IMAGE
102487	BL-CLRDANCHORKIT	Mounting Kit, includes bracket & three (3) 8in anchor bolts	
102486	BL-CLRDBASEPLATE	Base Plate	

**MOUNTING BASE:**



**DIMENSIONAL DRAWING:**

