

LED STRIP LS SERIES



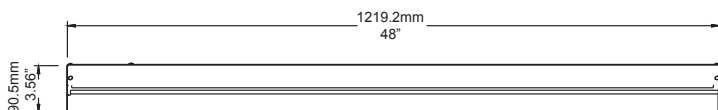
PRODUCT DESCRIPTION:

The small size of the LS Series makes it an ideal choice for size-restricted applications. The LS Series can be the illumination solution in commercial, industrial, retail and residential applications. Fixtures can be used in storage/utility, shops, task and general area lighting.

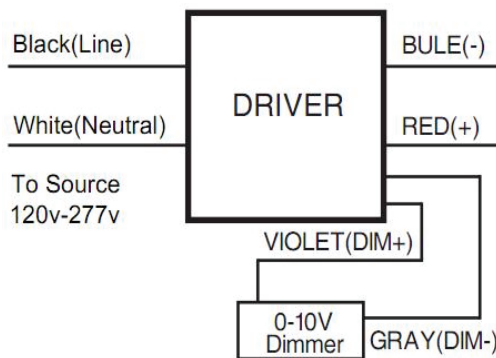
FEATURES:

- Driver efficiency >85%.
- CRI >80
- L70 lumen maintenance of 50,000 hours
- 5 year limited warranty
- 0-10v dimming standard, product dimmable down to 10%
- Universal 120-277V
- 46W DLC Low Bay Qualified
- Fixture may be surface, pendant, or stem mounted (accessories sold separately)
- 7/8th inch (1/2" NPS standard) knock out
- Suitable for Damp locations
- Optional motion sensor available

DIMENSION:



WIRING DIAGRAM:



MODEL SELECTION		Typical order example: LS-4835U-50			
FAMILY	SIZE	WATTAGE (NOMINAL)	VOLTAGE	CCT	
LS= Linear Strip	48= 4ft	35= 35W 46= 46W	U= 120-277V	40= 4000K 50= 5000K	(OMIT)= None MS= Bi-Level Motion Sensor with Daylight Harvesting and Remote Control Capability

Please note: 5000K standard, 4000K special order



SPECIFICATIONS:

SPECIFICATIONS:		LS-4835U-XX	LS-4846U-XX
ITEM	SPECIFICATION	DETAILS	
GENERAL PERFORMANCE	Power Consumption (W)	34.6	44.7
	Lumens Delivered (lm)	4,405	5,679
	Efficacy (lm/W)	129	127
	CRI	≥80	
	Color Temperature (K)	4000K, 5000K	
	L70 Lifetime (hours)	50,000	
	Color Consistency	Proprietary binning for uniform color	
ELECTRICAL	Power Factor	0.9	
	Input Voltage	120-277V	
PHYSICAL	Mounting	Fixture may be surface, pendant, or stem mounted	
	Operating Temperature	-20°C to 40°C	
	Humidity	20-85% RH, non-condensing	
QUALIFICATIONS	Qualifications	DLC Premium, cULus, FCC, Lighting Facts	
	Material Usage	RoHS compliant; no mercury	
	Environment	Indoor/Damp	
	Warranty	5 Years	

ORDERING:

ORDER CODE	MODEL NUMBER	WATTAGE	CCT
1409690	LS-4835U-50	35W	5000K
1409984	LS-4835U-50MS		
1410113	LS-4846U-50	46W	
1410114	LS-4846U-50MS		

*Please contact your MaxLite representative to order products that don't have order codes listed here.

ACCESSORIES			
ORDER CODE	MODEL NUMBER	DESCRIPTION	ACCESSORY IMAGE
74138	MLCHKLSU15	Cable Kit 15' Loop X Toggle Y 1 Pair	
108133	RMHYTHRC-05	Remote Control for MS Commissioning	

SENSOR					
SENSOR	TECHNOLOGY	DIMMING	DAYLIGHT HARVESTING	REMOTE CONTROL	QR CODE
MS	High Frequency	Bi-Level	Set Point	Yes	