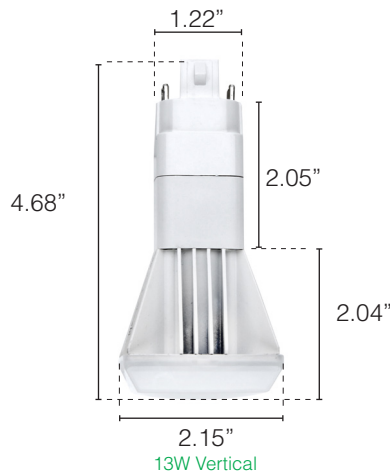
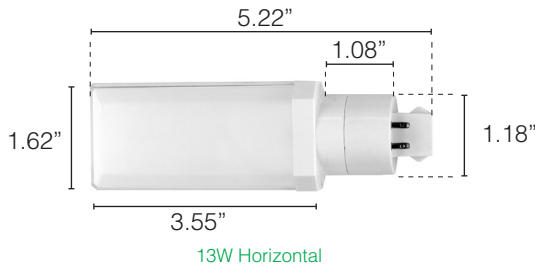


**LED PL RETROFIT LAMPS**  
PL DirectFit Series



**PRODUCT DESCRIPTION:**

MaxLite LED PL DirectFit lamp is the ideal plug and play solution that works straight out of the box. The 13W LED PL lamp is designed to replace CFL downlights with 4-pin G24q sockets. These energy-saving LED lamps are quick, easy and safe to install into existing CFL fixtures without any extra effort or re-wiring. Available in horizontal and vertical installation position and 3 different correlated color temperature.

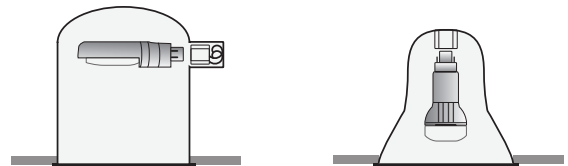
**FEATURES:**

- Input Power: 13W
- Input Voltage: determined by CFL ballast
- Color Rendering Index (CRI): ≥80
- 50,000 Hour life
- High power factor: ≥.90
- Rotatable 270 (Horizontal model)
- Compatible with most electronic CFL ballasts
- Instant on
- Suitable for use with wall-mounted and ceiling fixtures
- Not suitable for use in totally enclosed fixtures
- Suitable for damp locations
- Five year limited warranty

**LIGHTING DESIGN LAB QUALIFIED LAMPS:**

- 13PLG24QVLED27/G2 (Qualified Date: 01/26/17)
- 13PLG24QVLED40/G2 (Qualified Date: 01/26/17)
- 13PLG24QHLED35/G2 (Qualified Date: 01/26/17)
- 13PLG24QHLED40/G2 (Qualified Date: 01/26/17)

**APPLICATIONS:**



MODEL SELECTION (Full list of order codes on pg. 2)		Typical order example: 13PLG24QHLED27/G2		
WATTAGE	FAMILY	BASE	INSTALLATION POSITION	COLOR TEMPERATURE (CCT)
13= 13 watts	PL	G24Q= G24q 4-pin	HLED= Horizontal VLED= Vertical	27/G2= 2700K 35/G2= 3500K 40/G2= 4000K

**NOTES:**

1. ENERGY STAR and DLC does not currently have a category for this product type.

**SPECIFICATIONS:**

ITEM	SPECIFICATION	13W HORIZONTAL			13W VERTICAL		
		DETAILS			DETAILS		
GENERAL INFORMATION	Color Temperature	2700K	3500K	4000K	2700K	3500K	4000K
	Lumens Delivered (lm)	1000					
	Efficacy (lm/w)	77					
	Lumen Maintenance (L70)	50,000 hours			50,000 hours		
ELECTRICAL	Power Factor	≥.90			≥.90		
	Input Voltage	Dependent on CFL electronic ballast			Dependent on CFL electronic ballast		
PHYSICAL	Operating Temperature	-4° F to 105° F			-4° F to 105° F		
APPLICATION	Environment	Damp			Damp		
	Warranty	5 Year			5 Year		

**ORDERING\*:**

ORDER CODE	WATTAGE	MODEL	CCT	OUTPUT (LUMENS)	EQUIVALENCY	DIMENSIONS (L" x W")
<b>13W HORIZONTAL</b>						
77657	13	13PLG24QHLED27/G2	2700K	1000	26W (32W & 42W)	5.22" x 1.62"
77658	13	13PLG24QHLED35/G2	3500K			
77659	13	13PLG24QHLED40/G2	4000K			
<b>13W VERTICAL</b>						
77660	13	13PLG24QVLED27/G2	2700K	1000	26W (32W & 42W)	4.68" x 2.15"
77661	13	13PLG24QVLED35/G2	3500K			
77662	13	13PLG24QVLED40/G2	4000K			

\*Please contact your MaxLite representative to order products that don't have order codes listed here.

**COMPATIBLE BALLASTS:**

MANUFACTURER	MODEL
ADVANCE	ICF-2S13-M1-BS
ANTRON	CSS-UV42PS/C6YO
ANTRON	CSS-UV42PS/C6YM
ANTRON	CSD-UV18PS/C6YO
HOWARD	EP2/26CF/MV/2
STANDARD	31278STD
STANDARD	31276STD
SYLVANIA	QTP2X26CF/UNV DM
TOSPO	TP-2/26PS UV
UNIVERSAL TRIAD	C2642UNVME