

LED BULLET FLOODS
BF SERIES



12W



30W

See page 2 for dimensions



PRODUCT DESCRIPTION:

Ideal for landscape, facade and sign lighting applications, the LED Bullet Flood Light features a swivel arm for precise angle adjustment. Sealed to keep out dirt, bugs and moisture, the Bullet Floods is constructed with a precision die-cast aluminum housing and tempered, shatter-resistant glass for a sleek appearance and maximum durability. The floods can be surface mounted directly to electrical boxes or posts with a 1/2" threaded bushing.

FEATURES:

- 12W/30W replace up to 50 Watt Quartz Halogen/150 Watt Metal Halide
- Available in 2 distributions: Wide and Tight
- Leading efficiency ranging from 108-121 lm/W
- 3000K and 5000K available
- ≥ 100,000 hour L70 Life @ 25°C
- Universal 120-277V driver
- Fixture can be surface mounted directly to electrical boxes or posts with 1/2" threaded bushing

CONSTRUCTION:

- Die cast aluminum body
- Bronze polyester powder coat finish
- Sealed to keep out dirt and bugs
- Tempered shatter resistant glass lens
- Weep hole located on lower lip of fixture to prevent water buildup
- 1/2" NPT threaded arm with locking swivel

ACCESSORIES:

- Optional shroud available, see page 3 for ordering information

WARRANTY:

10-year standard warranty with labor allowance*
(further details available at www.maxlite.com/warranties)

*Warranty Limitations: Product must be rated for the application per the Product Data Sheet (PDS); operated ≤16 hrs/day; in ambient of -29°F to 104°F.

*Up to \$25/unit; labor allowances of up to \$500/unit available for purchase – contact MaxLite representative for details.

| MODEL SELECTION (Full list of order codes on pg. 2) | | | Typical order example: BF12AUDT50B000 | | | |
|---|---|-----------------|---------------------------------------|-----------------------|------------------------|--|
| BF | | A | U | | | B |
| FAMILY | NOMINAL POWER, EQUIVALENCY | GENERATION | VOLTAGE | DISTRIBUTION | CCT | FINISH |
| BF= Bullet Flood | 12= 12W, replaces up to 50W Quartz Halogen 30= 30W, replaces up to 150W Metal Halide | A= Generation A | U= 120-277V | DT= Tight DW= Wide | 30= 3000K 50= 5000K | B= Bronze Contact MaxLite for additional finishes |

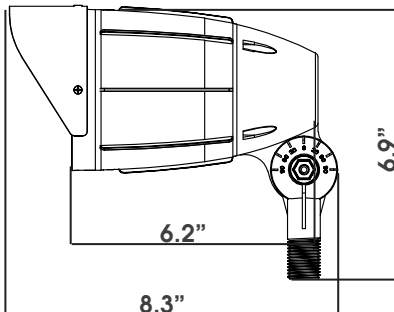
| ACCESSORIES | | | | | | | |
|-------------|--------------|--|-----------------|------------|--------------|--|-----------------|
| ORDER CODE | MODEL NUMBER | DESCRIPTION | ACCESSORY IMAGE | ORDER CODE | MODEL NUMBER | DESCRIPTION | ACCESSORY IMAGE |
| 101679 | TR2.37BZ | Tennon Reducer, 2-3/8" to 1/2", Bronze | | 104352 | GROUND-STAKE | 21" Black PVC Ground Stake with bronze die cast cap, ground stabilizers bars and hardware to mount junction box, which allows adding an external photocell | |
| 101417 | PC-120277EXT | External Photocontrol 120-277V, Black Finish | | | | | |

| ACCESSORIES | | | | | |
|-------------|-----------|---|--------|----------------------------------|---|
| ORDER CODE | MODEL | DESCRIPTION | FINISH | COMPATIBLE MODELS | ACCESSORY IMAGE |
| 104350 | JBOXB-4TH | Junction Box With 4 1/2" Conduit Holes Top Cover. Provides mounting for flat surfaces and adding external PC (PC-120277EXT) | N/A | N/A |  |
| 101495 | BF12SHB | Shroud for 12W Bullet Flood | Bronze | BF12XXXXXXBXXX |  |
| 101496 | BF30SHB | Shroud for 30W Bullet Flood | Bronze | BF30XXXXXXBXXX | |
| 105551 | MTGCOVER | Die Cast Aluminum Mounting Cover with 3X 1/2" Threaded Conduit Holes, Bronze with Dark Finish Hardware | Bronze | BF12XXXXXXBXXX BF30XXXXXXBXXX |  |

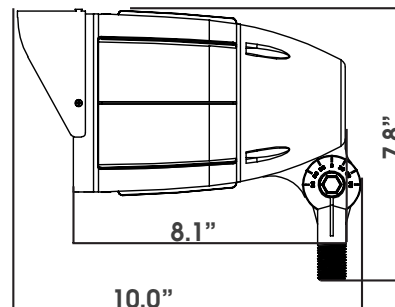
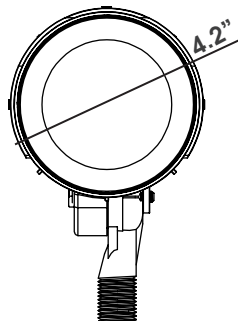
SPECIFICATIONS:

| ITEM | SPECIFICATION | DETAILS | | | |
|---------------------|---------------------------------------|---|----------------|---------------|----------------|
| | | BF12AUDTXXXXXX | BF30AUDTXXXXXX | BF12AUWXXXXXX | BF30AUDWXXXXXX |
| GENERAL PERFORMANCE | Distribution | Tight | | Wide | |
| | NEMA H x V Distribution | 4 x 4 | 2 x 2 | 6 x 6 | 5 x 5 |
| | Beam Angle | 25 | 10 | 60 | 60 |
| | Input Power (W) | 11 | 28 | 11 | 28 |
| | Lumens Delivered 3000K (lm) | 1175 | 3225 | 1200 | 3120 |
| | Lumens Delivered 5000K (lm) | 1205 | 3290 | 1235 | 3185 |
| | Efficacy (lm/W) | 108-110 | 118-120 | 111-114 | 114-116 |
| | Color Temperature | 3000K, 5000K | | | |
| | CRI | ≥72 | | | |
| | Lumen Maintenance (L70, TM-21 @ 25°C) | ≥100,000 | | | |
| ELECTRICAL | Input Voltage | 120-277V standard | | | |
| | Power Factor | > 0.9 | | | |
| | THD | <10% | | | |
| PHYSICAL | Housing | Aluminum | | | |
| | Lens | Tempered Glass | | | |
| | Finish | Bronze standard | | | |
| | Operating Temperature | -30°F - 104°F | | | |
| QUALIFICATION | Qualification | DLC 4.1 Premium, cULus, LM-79, LM-80, TM-21, IP65, Title 24 Compliant | | | |
| | Environment | Outdoor, Wet location | | | |
| | Warranty | 10-year standard warranty* | | | |

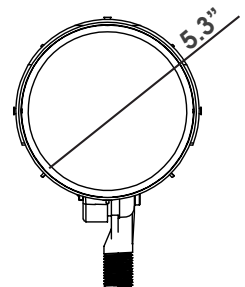
***DIMENSIONS:**



12W



30W



*Shroud sold separately

ORDERING*:

| ORDER CODE | MODEL | NOMINAL WATTAGE | INPUT VOLTAGE | BEAM TYPE | COLOR TEMPERATURE (CCT) |
|------------|-------------|-----------------|---------------|-----------|-------------------------|
| 100056 | BF12AUDT30B | 12W | 120-277V | TIGHT | 3000K |
| 100058 | BF12AUDT50B | | | TIGHT | 5000K |
| 100060 | BF12AUDW30B | | | WIDE | 3000K |
| 100062 | BF12AUDW50B | | | WIDE | 5000K |
| 100072 | BF30AUDT30B | 30W | | TIGHT | 3000K |
| 100074 | BF30AUDT50B | | | TIGHT | 5000K |
| 100076 | BF30AUDW30B | | | WIDE | 3000K |
| 100078 | BF30AUDW50B | | | WIDE | 5000K |

Lighting layouts and spacing criteria available upon request

*Please contact your MaxLite representative to order products that don't have order codes listed here.