

PATHMAX™ LED BOLLARDS
CLASSIC SERIES 42" DOME TOP



Shown with louvers



Shown with cone reflector



Shown with glare shield



PRODUCT DESCRIPTION:

The round Classic LED Bollard is an economical and energy efficient choice for lighting walkways, plazas and other pedestrian areas in commercial and residential applications. Constructed of durable aluminum for maximum weatherability, the bollard features a specialized cone reflector that projects light down and outward for ample illumination that enhances pedestrian safety and security.

FEATURES:

- Up to 50,000 hour L70 lifetime, TM-21 standards @ 25°C
- Dimming Driver Standard
- Sealed fixture is dirt and bug free
- CRI: ≥85
- 5-year Limited Warranty

CONSTRUCTION:

- Aluminum Housing
- Powder coated to be rust and corrosion proof
- Internal Aluminum Cone Reflector
- Clear Polycarbonate lens

INSTALLATION:

- Flush Mounting Base with Vandal Resistant Screws
- Installation Kit with 8" Anchor Bolts Included
- An optional GFCI can be installed and centered 12" from the top of the shaft



MODEL SELECTION							Typical order example: BL-CLRD17U-40B				
BL	-	CL	RF	17	U	-	B				
FAMILY	-	SUB FAMILY	SHAPE	WATTAGE	VOLTAGE	-	COLOR TEMPERATURE	FINISH	DISTRIBUTION	HEIGHT	OPTIONS
BL= Bollards	-	CL= Classic Series	RD= Round	17= 15W	U= 120-277V	-	40= 4000K, CRI 80+ Contact MaxLite for additional finishes	B= Bronze Contact MaxLite for additional finishes	(Blank)= Wide Beam T3= Type 3, Cone Reflector LR= Louver	(Blank)= 42" Contact MaxLite for custom lengths	(Blank)= None GF= GFCI Outlet, 15A, 120V GS= 180 degree glare shield

SPECIFICATIONS:

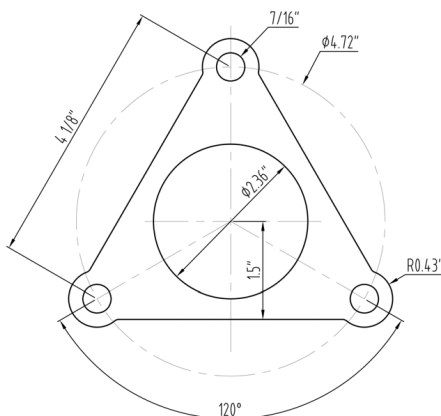
ITEM	SPECIFICATION	WIDE BEAM	TYPE III, CONE REFLECTOR	TYPE V, LOUVER
GENERAL PERFORMANCE	Input Power (W)	15	15	25
	Lumens Delivered (lm)	1,450	989	733
	Efficacy (lm/W)	97	66	49
	CRI	≥85		
	Lumen Maintenance (L70, TM-21 @ 25°C)	>50,000 hours		
	Color Temperature	4000K		
	Spacing Criteria	Available upon request		
ELECTRICAL	Input Voltage	120-277V standard		
PHYSICAL	Housing	Aluminum		
	Mounting	Flush mounting base; anchor bolts for mounting included		
CERTIFICATION	Certification	cCSAus, IP65		
	Environment	Outdoor, wet location		
	Warranty	5 years		
	Operating Temperature	-40°F - 104°F (-40°C - 40°C)		

Lighting layouts and spacing criteria available upon request.

REPLACEMENT PARTS:

ORDER CODE	MODEL	DESCRIPTION	IMAGE
102487	BL-CLRDANCHORKIT	Mounting Kit, includes bracket & three (3) 8in anchor bolts	
102486	BL-CLRDBASEPLATE	Base Plate for BL-CLRD series bollards	

MOUNTING BASE:



DIMENSIONAL DRAWING:

