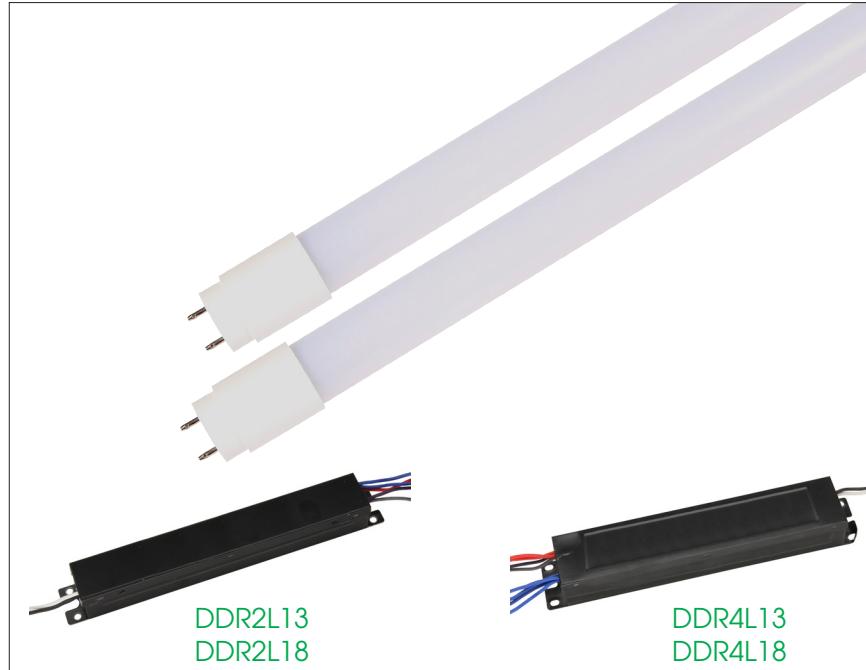


LED T8 EXTERNAL DRIVER
EXTERNAL DIMMABLE T8 PLASTIC SERIES
UL TYPE-C



PRODUCT DESCRIPTION:

MaxLite LED T8 with External Driver are the ideal energy saving choices when upgrading traditional linear T8 fluorescent lamps in fixtures containing standard G13 (medium bi-pin) sockets.

FEATURES:

- 13W @ 1,650-1,800 lumens
- 18W @ 2,225 - 2,300 lumens
- Efficacy (lm/W): ≥ 124
- Color Temperature available: 3500K, 4000K and 5000K
- Universal Voltage: 120V-277V
- Instant on
- Beam Angle: 330°
- Dimmable: Yes, 0-10V
- Color Rendering Index (CRI): ≥ 80
- Rated Lifetime: 50,000 hours
- Polycarbonate lens, shatter resistant
- THD: $< 20\%$
- High power factor: ≥ 0.90
- Base: G13 medium bi-pin
- Mercury free and virtually no UV or IR light
- Suitable for open or enclosed fixtures
- Suitable for dry and damp locations
- Five year limited warranty

APPLICATIONS:

- General illumination
- Cove lighting
- Display case
- High bay
- Parking garage

NOTES:

1. Products are not NSF or ETL Sanitation certified



SPECIFICATIONS:

ITEM	SPECIFICATION	4 - FOOT - DETAILS	
GENERAL PERFORMANCE	Power Consumption	13W	18W
	Lumens Delivered	1,650-1,800lm	2,225 - 2,300lm
	Efficacy	≥124 lm/W	≥123 lm/W
	CRI	83	
	Beam Angle	330°	
	Color Temperature (CCT)	3500K, 4000K & 5000K	
	Lumen Maintenance (L70)	50,000 Hours	
ELECTRICAL	Power Factor	≥ 0.90	
	Input Voltage	120V-277V, 50/60 Hz	
PHYSICAL	Operating Temperature	-4°F to 113°F	
	Lens	Opal (Frosted)	
	Base	Medium Bi-Pin (G13)	
CERTIFICATION	Certification	DLC 4.2 Standard, ETL Sanitation Listed, cULus Classified, LM80, FCC	
	Material Usage	RoHS compliant; no mercury	
	Environment	Dry or Damp	
	Warranty	5 Years	


Lighting layouts and spacing criteria available upon request

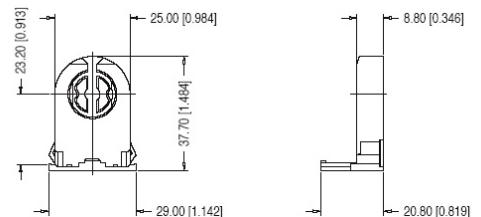
ORDERING (LED T8 TUBES):

ORDER CODE	MODEL	WATTS	LUMENS	EFFICACY	CCT	QTY IN MASTER CARTON
4FT T8 TUBES						
1409617	L13T8EX435	13	1,650	124 lm/W	3500K	25 pcs
1409618	L13T8EX440	13	1,700	130 lm/W	4000K	25 pcs
1409619	L13T8EX450	13	1,800	124 lm/W	5000K	25 pcs
1409899	L18T8EX435	18	2,225	123 lm/W	3500K	25 pcs
1409900	L18T8EX440	18	2,250	125 lm/W	4000K	25 pcs
1409901	L18T8EX450	18	2,300	127 lm/W	5000K	25 pcs

ORDERING (T8 EXTERNAL DRIVERS - DIMMING):

ORDER CODE	MODEL	DESCRIPTION
DRIVERS FOR 4FT T8		
1409620	DDR2L13	2 LAMP DRIVER FOR 4FT LED EXTERNAL T8 FOR L13T8EX4XX
1409621	DDR4L13	4 LAMP DRIVER FOR 4FT LED EXTERNAL T8 FOR L13T8EX4XX
1409902	DDR2L18	2 LAMP DRIVER FOR 4FT LED EXTERNAL T8 FOR L18T8EX4xx
1409903	DDR4L18	4 LAMP DRIVER FOR 4FT LED EXTERNAL T8 FOR L18T8EX4xx

ACCESSORIES			
ORDER CODE	MODEL NUMBER	DESCRIPTION	ACCESSORIES IMAGE
73978	G13LPNS	G13 Low Profile Non-Shunted Lamp Holder	



Specifications are subject to change without notice.

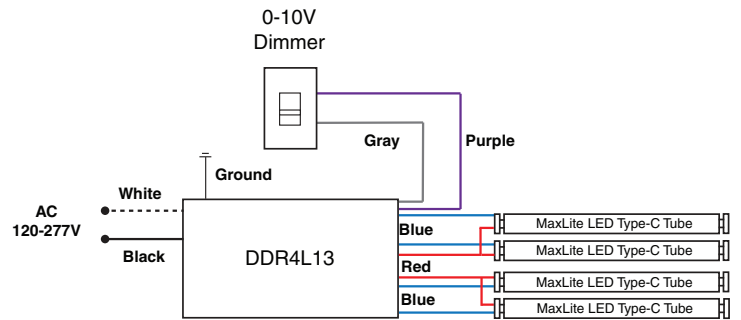
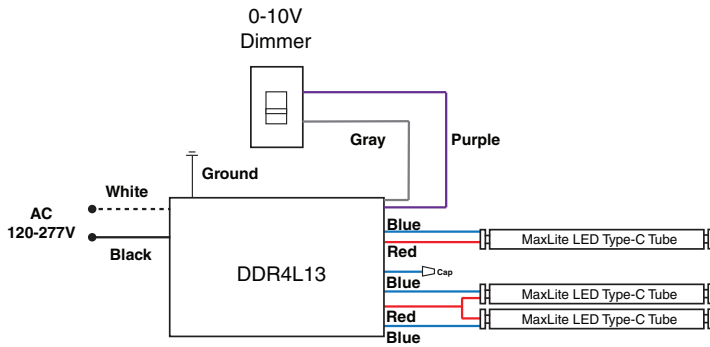
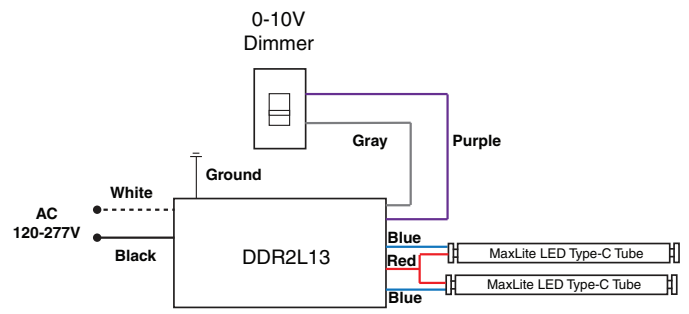
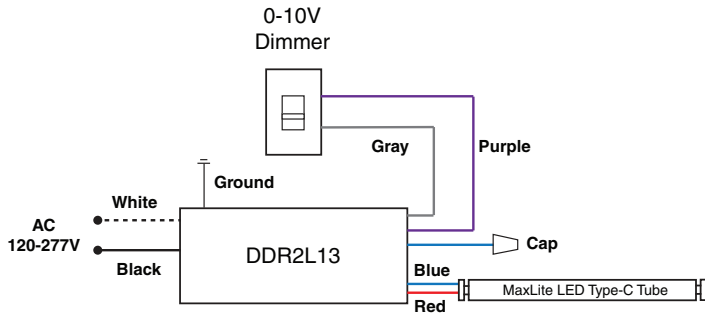
4FT EXTERNAL DRIVERS SPECIFICATIONS - DIMMING

MODEL		DDR2L13	DDR4L13	
INPUT CONDITION	ORDER CODE	1409620	1409621	
	RATED INPUT VOLTAGE (V)	120-277V	120-277V	
	INPUT FREQUENCY (HZ)	50/60	50/60	
	INPUT POWER (W)	Maximum	26	52
		Typical	-	-
		Minimum	13	39
	POWER FACTOR (%)	Maximum	0.98	0.98
		Typical	0.95	0.95
Minimum		0.90	0.90	
INRUSH CURRENT	10A	10A		
OUTPUT CONDITIONS	OUTPUT CHANNEL	2	4	
	OUTPUT VOLTAGE (V)	Maximum	45	45
		Typical	42	42
		Minimum	36	36
	OUTPUT CURRENT (mA)	Maximum	283	283
		Typical	270	270
Minimum		256	256	
ENVIRONMENT REQUIREMENTS	STORAGE TEMPERATURE F° (°C)	Maximum	176°F (80°C)	176°F (80°C)
		Typical	77°F (25°C)	77°F (25°C)
		Minimum	-40°F (-40°C)	-40°F (-40°C)
	OPERATING TEMPERATURE F° (°C)	Maximum	176°F (45°C)	113°F (45°C)
		Typical	77°F (25°C)	77°F (25°C)
		Minimum	-13°F (-25°C)	-13°F (-25°C)
	STORAGE HUMIDITY (%)	Maximum	95	95
		Typical	40	40
		Minimum	20	20
	OPERATING HUMIDITY (%)	Maximum	95	95
		Typical	40	40
		Minimum	10	10
OUTPUT SHORT CIRCUIT PROTECTION	Yes	Yes		
OUTPUT OPEN CIRCUIT PROTECTION	Yes	Yes		
LAMP STARTING TIME	<0.5s	<0.5s		
WEIGHT: LBS (G)	1.05 lbs (480g)	1.43 lbs (650g)		

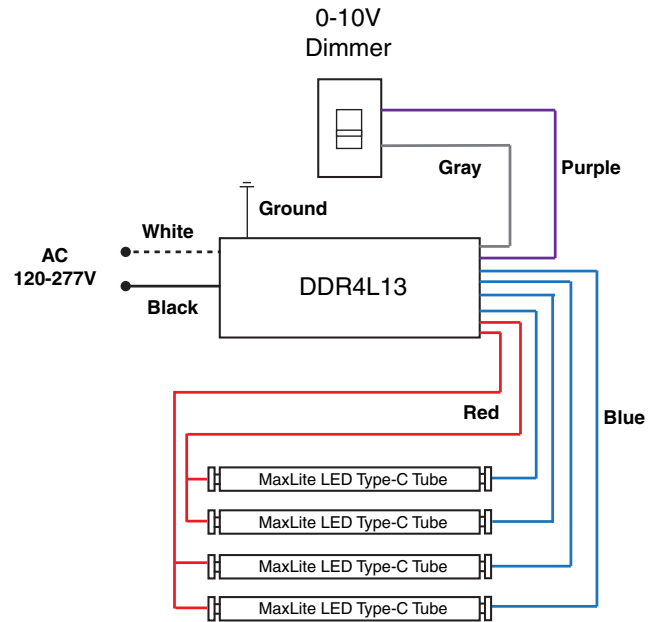
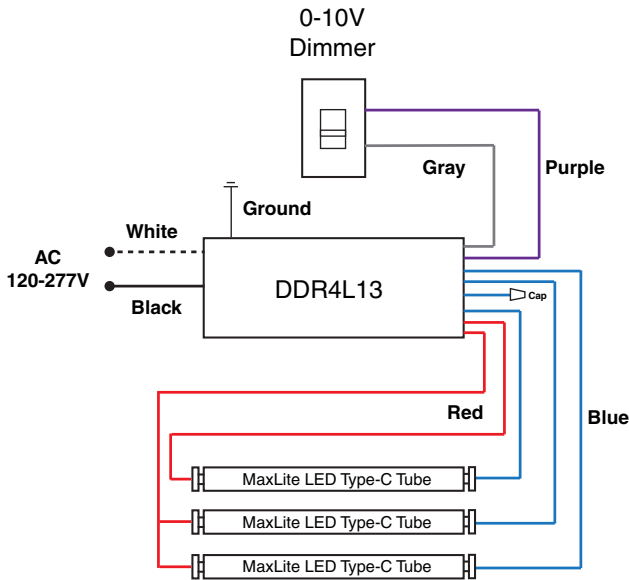
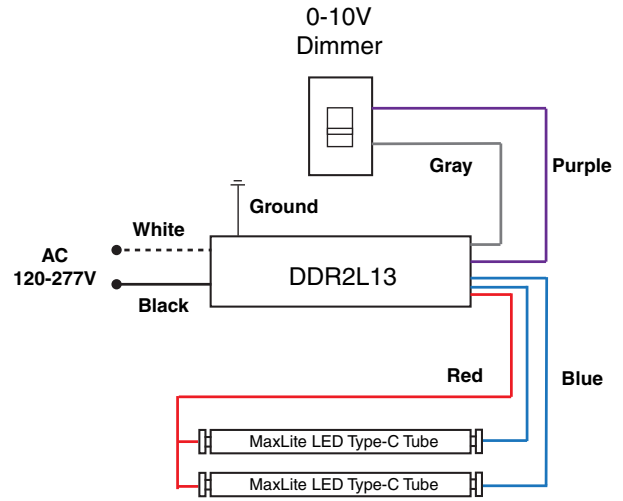
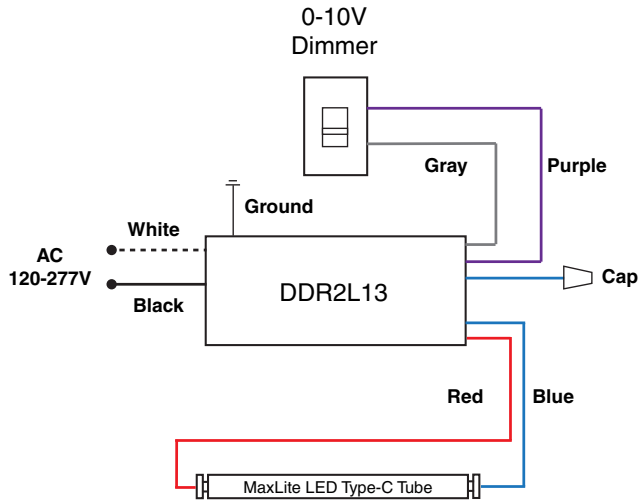
4FT EXTERNAL DRIVERS SPECIFICATIONS - DIMMING

MODEL		DDR2L18	DDR4L18	
INPUT CONDITION	ORDER CODE	1409902	1409903	
	RATED INPUT VOLTAGE (V)	120-277V	120-277V	
	INPUT FREQUENCY (HZ)	50/60	50/60	
	POWER FACTOR (%)	Maximum	0.99	0.99
		Typical	0.95	0.95
		Minimum	0.90	0.90
INRUSH CURRENT	10A	10A		
OUTPUT CONDITIONS	OUTPUT CHANNEL	2	4	
	OUTPUT VOLTAGE (V)	Maximum	45	45
		Typical	42	42
		Minimum	36	36
	OUTPUT CURRENT (mA)	Maximum	390*2	390*4
		Typical	370*2	370*4
Minimum		350*2	350*4	
ENVIRONMENT REQUIREMENTS	STORAGE TEMPERATURE F° (°C)	Maximum	176°F (80°C)	176°F (80°C)
		Typical	77°F (25°C)	77°F (25°C)
		Minimum	-40°F (-40°C)	-40°F (-40°C)
	OPERATING TEMPERATURE F° (°C)	Maximum	176°F (45°C)	113°F (45°C)
		Typical	77°F (25°C)	77°F (25°C)
		Minimum	-4°F (-20°C)	-4°F (-20°C)
	STORAGE HUMIDITY (%)	Maximum	95	95
		Typical	45	45
		Minimum	10	10
	OPERATING HUMIDITY (%)	Maximum	95	95
		Typical	45	45
		Minimum	20	20
OUTPUT SHORT CIRCUIT PROTECTION		Yes	Yes	
OUTPUT OPEN CIRCUIT PROTECTION		Yes	Yes	
WEIGHT: LBS (G)		1.05 lbs (480g)	1.43 lbs (650g)	
INRUSH CURRENT		20A	20A	

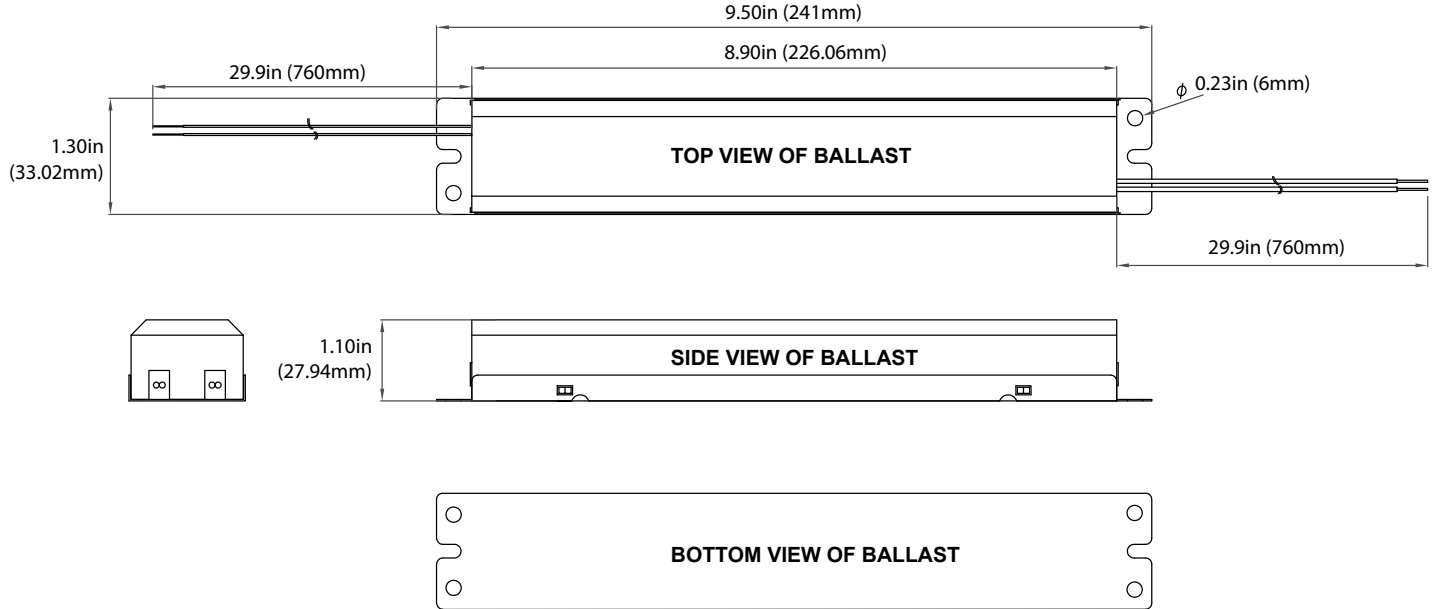
DIMMER, LED DRIVER AND SINGLE-ENDED TUBE WIRING DIAGRAM



DIMMER, LED DRIVER AND DOUBLE-ENDED TUBE WIRING DIAGRAM



4FT EXTERNAL DRIVER -1/2 LAMP - DIMENSIONS
DDR2L



4FT EXTERNAL DRIVER - 3/4 LAMP - DIMENSIONS
DDR4L

