



MaxLite® FieldMax High Output Flood

General Safety Information

- To reduce the risk of death, personal injury or property damage from fire, electric shock, falling parts, cuts/abrasions, and other hazards read all warnings and instructions included with and on the fixture box and all fixture labels.
- Before installing, servicing, or performing routine maintenance upon this equipment, follow these general precautions.
- Commercial installation, service and maintenance of luminaires should be performed by a qualified licensed electrician.
- For Residential installation: If you are unsure about the installation or maintenance of the luminaires, consult a qualified licensed electrician and check your local electrical code.
- **DO NOT INSTALL DAMAGED PRODUCT!**
- This fixture is intended to be connected to a properly installed and grounded UL listed junction box.



Picture is for illustration purposes only.
Your model may vary.

WARNING:

- Risk of Fire - Supply conductors (power wires) connecting the fixture must be rated minimum 90 . If uncertain consult an electrician.
- Risk of fire or electric shock. installation requires knowledge of luminaires electrical systems.
- Risk of Fire/Electric Shock - If not qualified, do not attempt installation. Contact a qualified electrician.
- Do not use in high humidity conditions.
- Keep away from flammable and explosive environment.
- Don't cover the fixture with insulation liner or similar material.
- Don't install where fixture is loose or only partially supported.
- Don't impact or exert pressure on the fixture surface face or rear, as damage may occur.

CAUTION:

- For your safety read and understand instructions completely before starting installation.
- To prevent wiring damage or abrasion, do not expose wiring to edges of sheet metal or other sharp objects.
- Before attempting installation, check your local electrical code, as it sets the wiring standards for your locality.

NOTES:

- If luminaire (fixture) is to be switched from a wall switch, make sure black power supply wire is connected to the switch. **DO NOT** connect the white supply wire to the switch.
- Make certain no bare wires are exposed outside the wire nut connectors.
- Do not make or alter any open holes in an enclosure of wiring or electrical components during kit installation.

Model:

FL-SR Series



MaxLite® FieldMax High Output Flood

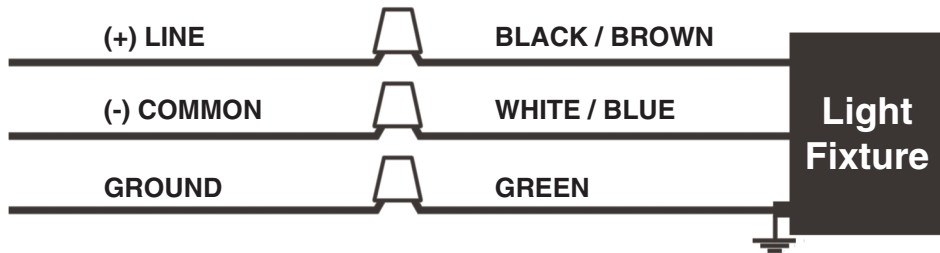
Wiring Diagram

CAUTION: Turn off electrical power at fuse or circuit breaker box before wiring fixture to the power supply.

Connecting panels to AC source supply:

All units must be individually connected to the AC supply. (120-277 VAC)

- Black / Brown = Line
- White / Blue = Neutral
- Green = Ground



Mounting Bolt Installation Instructions:

- 1.) Loosen the nut on the threaded bolt protruding from the junction box (See **Fig. 1**)
- 2.) Place the junction box onto the mounting surface. Ensure that the threaded bolt is placed into the appropriate sized hole on the surface. Secure the junction box with the flat washer and nut removed in step 1 (See **Fig. 2**)
- 3.) To adjust the luminaire to the desired angle, loosen the hex head bolt in the center of the fixture connecting the junction box and light engine. Adjust the light engine to the desired angle, and retighten the bolt (See **Fig. 3**)

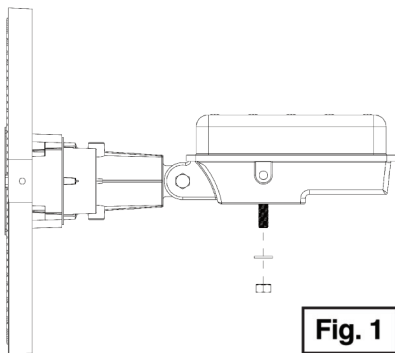


Fig. 1

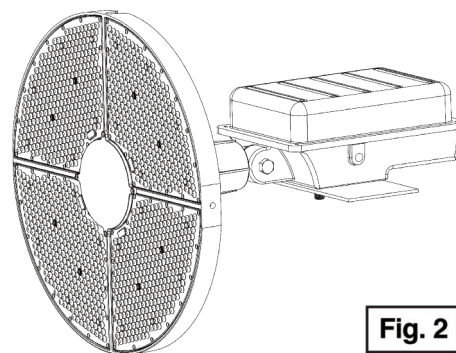


Fig. 2

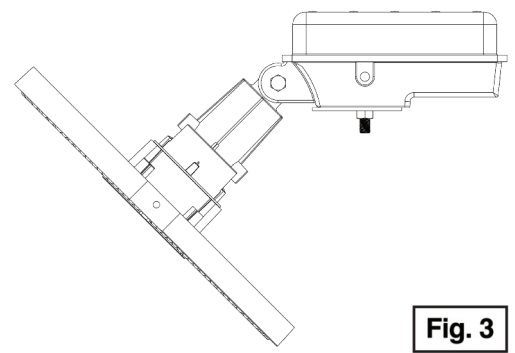


Fig. 3



MaxLite® FieldMax High Output Flood

Yoke Mount Installation Instructions:

- 1.) Install the yoke mount bracket onto the fixture with the two (2) hex head bolts, two (2) flat washers, and two (2) star lock washers (See **Fig. 4**).
- 2.) Secure the yoke mount to the mounting surface with nuts and bolts (See **Fig. 5**). Refer to **Fig. 6** for mounting hole dimensions on the yoke mount.
- 3.) To adjust the luminaire to the desired angle, loosen the hex head bolt in the center of the fixture connecting the junction box and light engine. Adjust the light engine to the desired angle, and retighten the bolt (See **Fig. 7**).

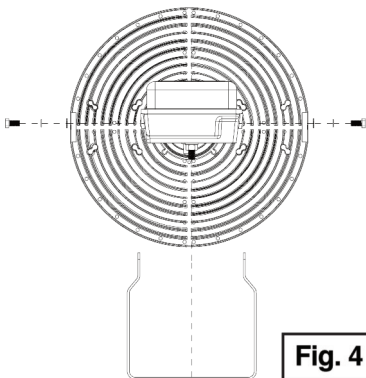


Fig. 4

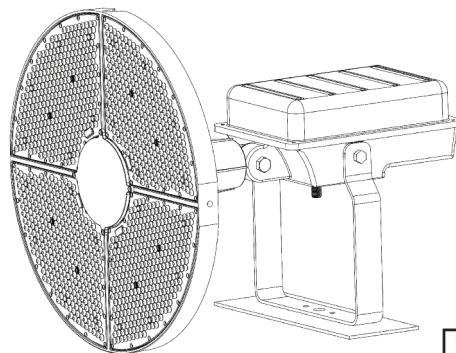


Fig. 5

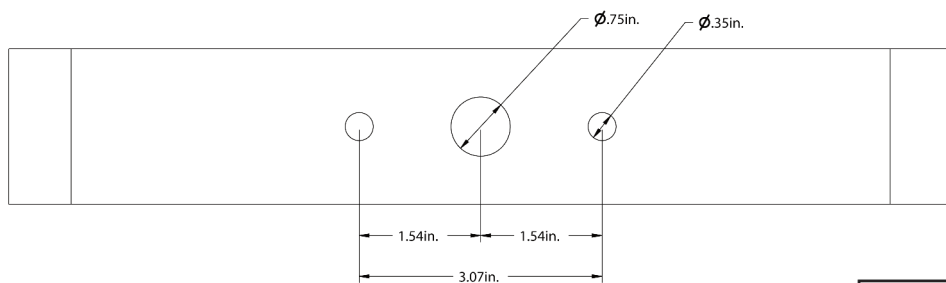


Fig. 6

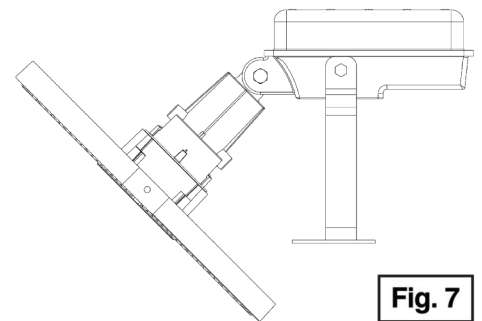


Fig. 7

Visor Installation Instructions:

- 1.) Place the round visor on top of the fixture as shown in **Fig. 8**. Secure in place with screws.

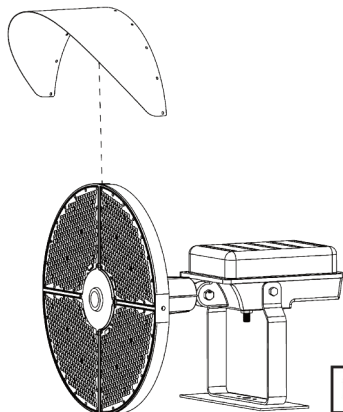


Fig. 8

MaxLite® FieldMax High Output Flood



Warranty Information

MaxLite Inc. warrants its products for a minimum period of **FIVE (5)** years from the earlier of the actual installation date or 90 days after the original date of purchase from a MaxLite authorized distributor/dealer (the "Warranty Period"), as follows: If a Product fails to operate during the Warranty Period as a result of defects in materials or workmanship, MaxLite will, at its option, repair it, replace it with the same or like Product.

Please refer to Maxlite's website (at <http://maxlite.com/resources/warranties>) for the complete coverage details as well as the terms and conditions of our warranty. Please note that it is NOT a requirement to register your warranty in order to initiate a warranty claim unless a Ten Year warranty has been purchased separately, or when applicable and/or purchased separately, your warranty contains a replacement labor allowance.

Limitation of Liability

THIS WARRANTY IS EXCLUSIVE, AND IS THE SOLE REMEDY FOR ANY AND ALL CLAIMS, WHETHER IN CONTRACT, IN TORT OR OTHERWISE ARISING FROM THE FAILURE OF PRODUCT AND IS IN LIEU OF ALL OTHER WARRANTIES, EXPRESS OR IMPLIED, INCLUDING ALL WARRANTIES OF MERCHANTABILITY OR FITNESS FOR A PARTICULAR PURPOSE, WHICH WARRANTIES ARE HEREBY EXPRESSLY DISCLAIMED TO THE EXTENT PERMITTED BY LAW AND, IN ANY EVENT, SHALL BE LIMITED TO THE WARRANTY PERIOD SPECIFIED ABOVE. THE LIABILITY OF MAXLITE SHALL BE LIMITED TO THE TERMS OF THE EXPRESS WARRANTY SET FORTH HEREIN. IN NO EVENT WILL MAXLITE BE LIABLE FOR ANY SPECIAL, INCIDENTAL OR CONSEQUENTIAL DAMAGES INCLUDING, WITHOUT LIMITATION, DAMAGES RESULTING FROM LOSS OF USE, PROFITS, BUSINESS OR GOODWILL, LABOR COSTS, REMOVAL OR INSTALLATION COSTS, WHETHER OR NOT MAXLITE HAS BEEN ADVISED OF THE POSSIBILITY THEREOF. UNDER NO CIRCUMSTANCES SHALL MAXLITE'S ENTIRE LIABILITY FOR A DEFECTIVE PRODUCT EXCEED THE PURCHASE PRICE OF THAT PRODUCT (EXCLUDING LABOR WARRANTY COVERAGE WHERE SPECIFICALLY OFFERED BY MAXLITE). WARRANTY SERVICES PROVIDED UNDER THESE TERMS AND CONDITIONS DONOT ENSURE THE UNINTERRUPTED OPERATION OF PRODUCTS; MAXLITE SHALL NOT BE LIABLE FOR DAMAGES CAUSED BY ANY DELAYS INVOLVING WARRANTY SERVICE.

This Warranty gives you specific legal rights and you may also have other rights that may vary from state to state. Because some states or jurisdictions do not allow the exclusion or limitation of liability for consequential or incidental damages, such limitation may not apply to you.