

**LED SMALL FLOOD**  
FLS SERIES



See page 3 for dimensions



**PRODUCT DESCRIPTION:**

The LED Small Floods are efficient, energy-saving replacements for metal halide and quartz halogen fixtures. Each luminaire features an integral listed driver, potted within a separate compartment to ensure cool operation and longer lifetime. The 15-, 20-, 40-, and 50-watt luminaires can mount at a broad range of angles with a yoke style arm and a 1/2" NPT threaded nipple.

**FEATURES:**

- Replaces 100 watt quartz halogen through 250 watt metal halide lamps
- Up to 210,000-hour L70 lifetime, TM-21 standards @ 25°C
- Wide and Narrow beam distributions available
- Reflector reduces glare and improves appearance
- Universal, voltage-specific photocell available
- LM-79/80 reports available
- Sealed fixture is dirt and bug free
- 5 year warranty

**MOUNTING:**

All models come standard with a yoke and a 1/2" NPT strain relief fitting for easy installation



1/2" threaded nipple allowS for easy installation to weather proof boxes or landscape mounting posts.

**MODEL SELECTION** (Full list of order codes on pg. 2)

Typical order example: FLS20U50B/NPC

FLS		U		B			
FAMILY	NOMINAL POWER, EQUIVALENCY	VOLTAGE	CCT	FINISH	DISTRIBUTION	LENS	CONTROLS
FLS= Small Flood	15= 15W, 100W Quartz Halogen equivalent 20= 20W, 150W Metal Halide equivalent <sup>1</sup> 40= 40W, 175W Quartz Halogen equivalent 50= 50W, 250W Metal Halide equivalent	U= 120-277V	40= 4000K <sup>2</sup> 50= 5000K	B= Bronze, std	(OMIT)= Wide	(OMIT)= Glass, std	(OMIT)= None

**ACCESSORIES**

ORDER CODE	MODEL NUMBER	DESCRIPTION	ACCESSORIES IMAGE
101679	TR2.37BZ	Tennon Reducer, 2-3/8" to 1/2", Bronze	

**NOTES:**

1. 4000K is a made to order item. Please contact your MaxLite representative for quantities and lead times.

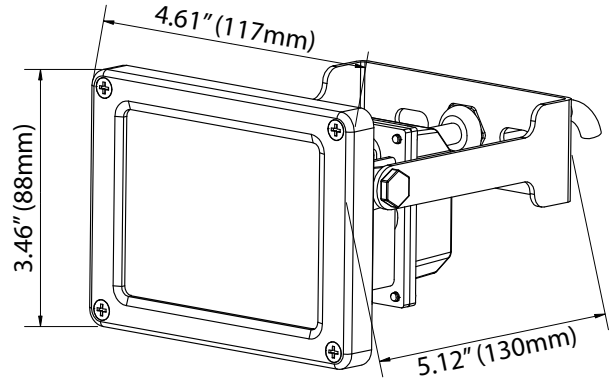
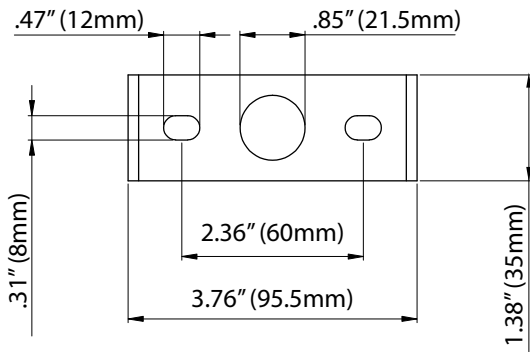
**SPECIFICATIONS:**

ITEM	SPECIFICATION	FLS15	FLS20	FLS40	FLS50	FLS15	FLS20	FLS40	FLS50	
		UXXB	UXXB	UXXB	UXXB	UXXB/N	UXXB/N	UXXB/N	UXXB/N	
GENERAL PERFORMANCE	Horizontal NEMA Beam Spread	6H	7H	7H	7H	5H	4H	5H	5H	
	Vertical NEMA Beam Spread	6V	6V	6V	7V	5V	4V	5V	5V	
	Input Power (W)	14	19	36	49	14	18	36	49	
	Lumens Delivered, 4000K (lm)	1400	2195	4525	5315	1495	2315	4545	5270	
	Lumens Delivered, 5000K (lm)	1260	1985	4010	5290	1255	2000	3705	5420	
	Efficacy (lm/W)	95-113	109-124	112-123	107-108	96-121	111-130	105-123	106-110	
	Lumen Maintenance (L70 hours, TM-21 @ 25°C)	210,000	210,000	55,000	55,000	210,000	210,000	55,000	55,000	
	Color Rendering Index (CRI)	≥70								
	CCT	5000K								
	Spacing Criteria	Available Upon Request								
	Color Consistency	Proprietary binning for uniform color								
ELECTRICAL	Power Factor (277V)	> 0.88								
	Input Voltage (V)	120-277, 50/60Hz								
PHYSICAL	Housing	Die-cast aluminum								
	Lens	Tempered Glass								
	Mounting	Yoke with ½" threaded fitting								
QUALIFICATION	Qualification	DLC 4.2 Standard, cULus								
	Operating Temperature	-30°F to 130°F								
	Environment	Outdoor, wet locations								
	Humidity	20% - 85% RH, non condensing								
	Warranty	5 Year								

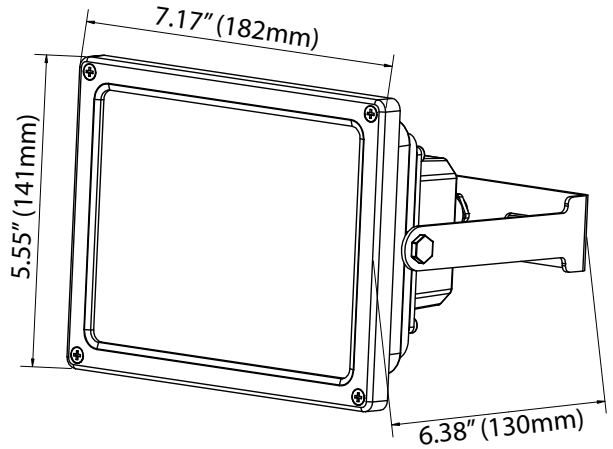
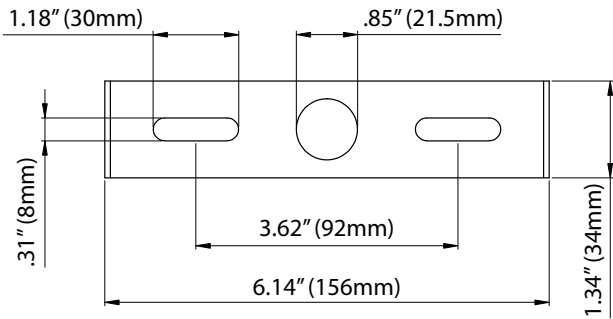
**ORDERING:**

ORDER CODE	MODEL	DISTRIBUTION	NOMINAL POWER (WATTS)	FINISH	CCT
77088	FLS15U50B	WIDE	15	BRONZE	5000K
95360	FLS15U50W	WIDE	15	WHITE	
77089	FLS20U50B	WIDE	20	BRONZE	
77090	FLS40U50B	WIDE	40	BRONZE	
95362	FLS40U50W	WIDE	40	WHITE	
77091	FLS50U50B	WIDE	50	BRONZE	

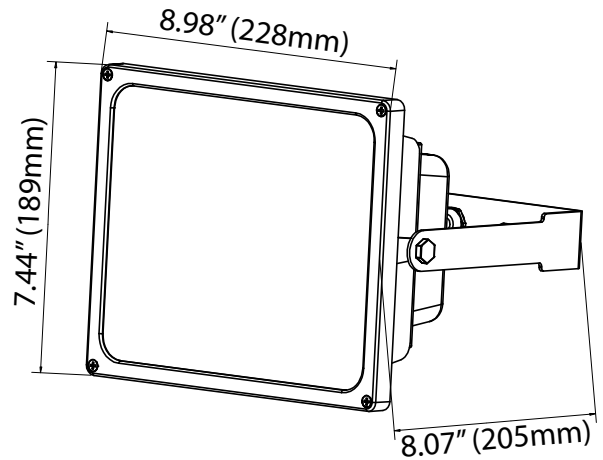
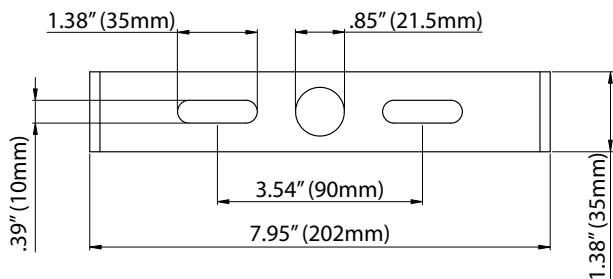
**DIMENSIONS:**



**FLS15U50B**



**FLS20U50B**



**FLS40U50B & FLS50U50B**