

MaxLite® Hazardous Location Flood Light – Class I Division 1



General Safety Information

- To reduce the risk of death, personal injury or property damage from fire, electric shock, falling parts, cuts/abrasions, and other hazards read all warnings and instructions included with and on the fixture box and all fixture labels.
- Before installing, servicing, or performing routine maintenance upon this equipment, follow these general precautions.
- Commercial installation, service and maintenance of luminaires should be performed by a qualified licensed electrician.
- **DO NOT INSTALL DAMAGED PRODUCT!**
- This fixture is intended to be connected to a properly installed and grounded UL listed junction box.
- Make sure that the supply voltage is the same as the luminaire voltage.
- Do not install where the marked operating temperatures exceed the ignition temperatures of the hazardous atmosphere.
- Do not operate in ambient temperatures above those indicated on the luminaire nameplate.
- All gasket seals must be clean and undamaged.



Picture is for illustration purposes only. Your model may vary.

WARNING:

RISK OF ELECTRICALSHOCK

- Turn off electrical power at fuse or circuit breaker box before wiring fixture to the power supply.
- Turn off the power when you perform any maintenance.
- Verify that supply voltage is correct by comparing it with the luminaire label information.
- Make all electrical and grounded connections in accordance with the National Electrical Code and any applicable local code requirements.
- All wiring connections should be capped with UL approved wire connectors.
- Luminaire must be supplied by a wiring system with an equipment grounding conductor.

CAUTION:

RISK OF INJURY

- Wear gloves and safety glasses at all times when removing luminaire from carton, installing, servicing or performing maintenance.
- Avoid direct eye exposure to the light source while it is on.
- Account for small parts and destroy packing material, as these may be hazardous to children.

CAUTION:

RISK OF FIRE

- Keep combustible and other materials that can burn away from luminaire and lamp/lens.
- MIN 90°C SUPPLY CONDUCTORS.

Models:

HL-AR80@#-\$\$%-D1

HL-AR100@#-\$\$%-D1

HL-AR150@#-\$\$%-D1

@ = Voltage (U = 100-240/277 Vac, H = 200-480 Vac)

= Distribution (W = 120° distribution)

\$\$ = CCT (50 = 5000K)

% = Finish (G = Grey)

D1 = Class I Division 1 Rated Product

Operating characteristic:

Rated Voltage: 100-240/277 Vac or 200-480 Vac, 50/60Hz
Ambient Temperature Range: -40°C (-40°F) ~ +60°C (140°F)

This fixture is suitable for use in the following hazardous (classified) areas as defined by the National Electrical Code (NEC) and Canadian Electrical Code (CEC):

Hazardous Locations

Class I , Division 1, Groups C, D

Class I , Division 2, Groups A, B, C, D

Class II, Division 2, Groups F, G

Compliances

UL 844

UL 1598

UL 1598A

Environmental Ratings

Suitable for wet location

IP 66 Rating

Refer to the luminaire nameplate for specific classification information, maximum ambient temperature suitability and corresponding operating temperature (T-Code).

MaxLite® Hazardous Location Flood Light – Class I Division 1

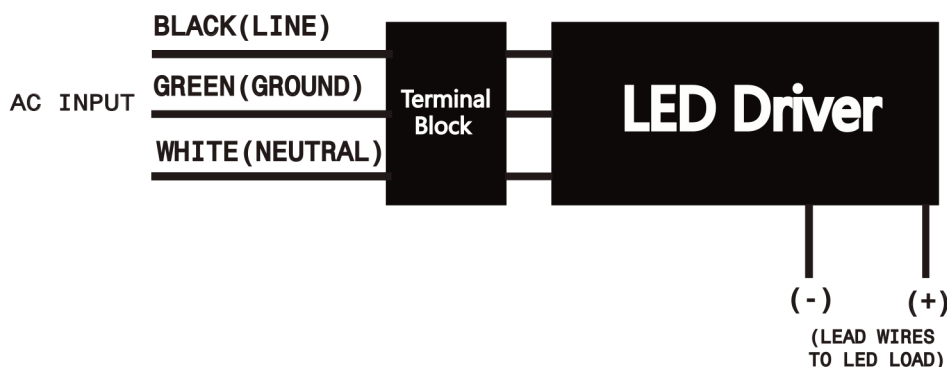


General Wiring Diagram

CAUTION: Turn off electrical power at fuse or circuit breaker box before wiring fixture to the power supply.

Connecting panels to AC source supply:
All units must be individually connected to the AC supply.

- Black = Line
- White = Neutral
- Green = Ground



Installation & Operation

Electrical Connection:

1. Loosen the ten (10) M6 hexagon bolts with spring washers and nuts on the tank cover with a torque value of 7 N-m.
2. The entry hole of the tank is treaded with 3/4" NPT. Attach the tank to a suitable conduit.
3. Insert the wire from outside through the conduit and the entry hole of the tank, and then connect it to the terminal block.
4. Introduce the wires of the branch circuit as follows:
Black-wire connects to Line
White-wire connects to Neutral
Green-wire connects to Ground
5. Re-attach the tank cover by tightening the ten (10) M6 hexagon bolts with spring washers and nuts with a torque value of 7 N-m.
6. Check the tightness of the conduit and tank cover.

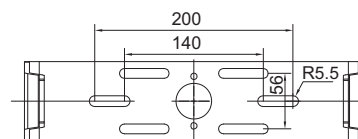
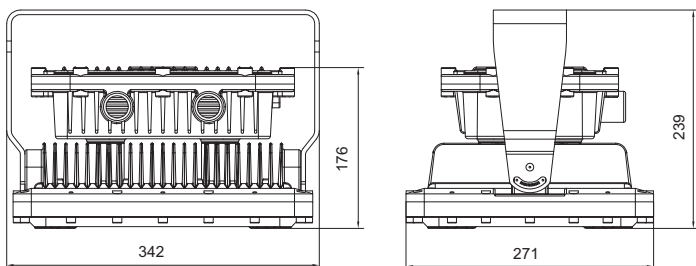


Fig. 1



Ceiling Type:

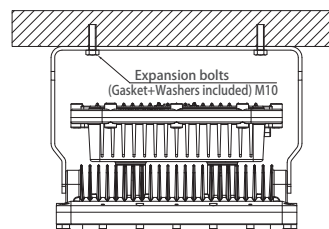
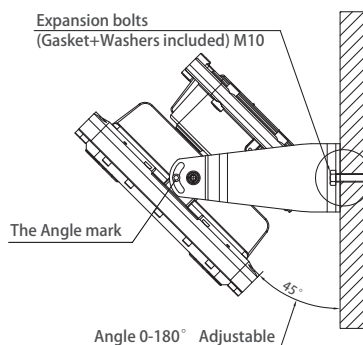


Fig. 2

Wall/Ceiling/Floor Mounting Bracket:

7. The mounting bracket is intended for wall/ceiling/floor mounting.
8. Position the mounting bracket and fix it with two (2) M6 and two (2) M8 hexagon bolts with spring lock washers.
9. Secure the wall/ceiling/floor mounting bracket to the structure by using screws (not provided). (Figure 1)
10. The luminaire can be adjusted facing down 90° from vertical = Lens horizontal facing down on ceiling position. (Figure 2).
11. The luminaire can be adjusted up and down by 45° on wall/floor position only. (Figure 3).

Wall Type:



Floor Type:

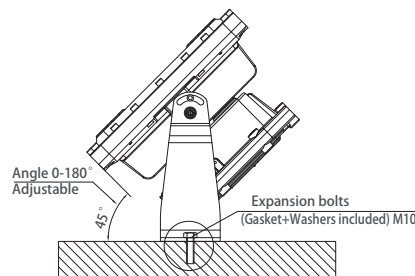


Fig. 3

MaxLite® Hazardous Location Flood Light – Class I Division 1**Servicing**

- To avoid personal injury, disconnect power to the light and allow the unit to cool down before performing maintenance.
- Perform visual, electrical, and mechanical inspections on a regular basis. The environment and frequency of use should determine this. However, it is recommended that checks be made at least once a year. Frequency of use and environment should determine this.
- The external glass should be cleaned periodically to ensure continued luminaire performance. Clean the glass with a clean, damp, non-abrasive, lint-free cloth. If this is not sufficient, use a mild soap or a liquid cleaner. Do not use an abrasive, strong alkaline or acid cleaner as damage may occur.
- Inspect the cooling fins on the luminaire to ensure that they are free of any contamination (i.e. excessive dust build-up). Clean with a non-abrasive cloth if needed.
- Mechanically check that all parts are properly assembled.
- Electrically check to make sure that all connections are clean and tight.

Housing

- Heavy-duty anodized die casting aluminum
- Shell surface of electrostatic spraying, long lasting and durable
- Shell protection, over-voltage and over-heat protection
- Exposed fasteners with quality stainless steel
- Excellent anti-corrosive property

MaxLite® Hazardous Location Flood Light – Class I Division 1**Warranty Information**

MaxLite Inc. warrants its products for a minimum period of **FIVE (5)** years from the date of original purchase from MaxLite or its authorized distributor/dealer (the "Warranty Period"), as follows: If a Product fails to operate during the Warranty Period as a result of defects in materials or workmanship, MaxLite will, at its option, repair it, replace it with the same or like Product.

Please refer to Maxlite's website (at <http://maxlite.com/resources/warranties>) for the complete terms and conditions of our warranty.

Limitation of Liability

THE FOREGOING WARRANTY IS EXCLUSIVE, AND IS THE SOLE REMEDY FOR ANY AND ALL CLAIMS, WHETHER IN CONTRACT, IN TORT OR OTHERWISE ARISING FROM THE FAILURE OF PRODUCT AND IS IN LIEU OF ALL OTHER WARRANTIES, EXPRESS OR IMPLIED, INCLUDING ALL WARRANTIES OF MERCHANTABILITY OR FITNESS FOR A PARTICULAR PURPOSE, WHICH WARRANTIES ARE HEREBY EXPRESSLY DISCLAIMED TO THE EXTENT PERMITTED BY LAW AND, IN ANY EVENT, SHALL BE LIMITED TO THE WARRANTY PERIOD SPECIFIED ABOVE. THE LIABILITY OF MAXLITE SHALL BE LIMITED TO THE TERMS OF THE EXPRESS WARRANTY SET FORTH HEREIN. IN NO EVENT WILL MAXLITE BE LIABLE FOR ANY SPECIAL, INCIDENTAL OR CONSEQUENTIAL DAMAGES INCLUDING, WITHOUT LIMITATION, DAMAGES RESULTING FROM LOSS OF USE, PROFITS, BUSINESS OR GOODWILL, LABOR COSTS, REMOVAL OR INSTALLATION COSTS, DECREASE IN THE LIGHT OUTPUT OF THE LAMP, AND/OR DETERIORATION IN THE LAMP'S PERFORMANCE, WHETHER OR NOT MAXLITE HAS BEEN ADVISED OF THE POSSIBILITY THEREOF. UNDER NO CIRCUMSTANCES SHALL MAXLITE'S ENTIRE LIABILITY FOR A DEFECTIVE PRODUCT EXCEED THE PURCHASE PRICE OF THAT PRODUCT. WARRANTY SERVICES PROVIDED UNDER THESE TERMS AND CONDITIONS DO NOT ENSURE THE UNINTERRUPTED OPERATION OF PRODUCTS; MAXLITE SHALL NOT BE LIABLE FOR DAMAGES CAUSED BY ANY DELAYS INVOLVING WARRANTY SERVICE.

This Limited Warranty gives you specific legal rights and you may also have other rights that may vary from state to state. Because some states or jurisdictions do not allow the exclusion or limitation of liability for consequential or incidental damages, this limitation may not apply to you.